

PARTS CATALOG

**iR C3100/C3100F/C3100i/
C3100N**

Canon

Nov 12 2003

PREFACE

This Parts Catalog contains listings of parts used

Diagrams are provided with the listings to aid the service technician in identifying clearly, the item to be ordered.

Whenever ordering parts, consult this Parts Catalog for all of the information pertaining to each item. Be sure to include, in the Parts Request, the full item description, the item part number, and the quantity.

COPYRIGHT (C) 1999 CANON INC.

Use of this manual should be strictly supervised to avoid disclosure of confidential information.

Contents

Parts List Index

iR C3100/C3100F/C3100i/C3100N	1-1
iR C3100/C3100F/C3100i/C3100N	
A	ASSEMBLY LOCATION DIAGRAM2-1
001	ACCESSORIES2-9
100	EXTERNAL COVERS, PANELS, ETC.2-10
101	MACHINE FRONT PANEL2-13
102	INTERNAL COMPONENTS 12-16
103	INTERNAL COMPONENTS 22-19
104	INTERNAL COMPONENTS 32-21
105	INTERNAL COMPONENTS 42-24
106	MACHINE REAR PLATE 12-26
107	MACHINE REAR PLATE 22-28
110	POWER CORD TERMINAL ASSEMBLY2-30
130	CONTROL PANEL ASSEMBLY2-32
140	RIGHT DOOR ASSEMBLY2-34
141	PAPER FEEDER FRAME ASSEMBLY2-39
145	RIGHT LOWER DOOR ASSEMBLY2-41
190	ITB COOLING FAN ASSEMBLY2-42
210	READER ASSEMBLY2-43
250	MAIN DRIVE ASSEMBLY2-48
260	PAPER DELIVERY DRIVE ASSEMBLY2-49
261	MULTI DRIVE ASSEMBLY2-50
300	CASSETTE (MIDDLE)2-52
301	CASSETTE (LARGE)2-55
310	PAPER PICK-UP ASSEMBLY (MIDDLE)2-58
311	PAPER PICK-UP ASSEMBLY (LARGE)2-62
315	MULTI FEED TRAY ASSEMBLY2-66
350	PAPER DELIVERY ASSEMBLY2-68
460	LASER SCANNER ASSEMBLY2-70
535	TRANSFER BELT FRAME ASSEMBLY2-71
630	ROTARY ASSEMBLY2-74
640	DEVELOPING ASSEMBLY (BLACK)2-76
641	DEVELOPING ASSEMBLY (YELLOW)2-79
642	DEVELOPING ASSEMBLY (MAGENTA)2-82
643	DEVELOPING ASSEMBLY (CYAN)2-85
680	ATR SENSOR ASSEMBLY2-88
780	TRANSFER CLEANING ASSEMBLY2-89
810	FIXING ASSEMBLY2-91
900	CONTROLLER BOX ASSEMBLY2-96

Contents

910	MAIN POWER SUPPLY PCB ASSEMBLY	2-98
911	MAIN CONTROLLER POWER SUPPLY ASSEMBLY	2-99
930	DC CONTROLLER PCB ASSEMBLY	2-100
931	READER CONTROLLER PCB ASSEMBLY	2-101
980	H.V. TRANSFORMER PCB ASSEMBLY	2-102
990	FAX ASSEMBLY	2-103
991	SPEAKER ASSEMBLY	2-105
992	FAX BOARD PCB ASSEMBLY	2-106
B	LIST OF CONNECTORS	2-108

NUMERICAL INDEX

iR C3100/C3100F/C3100i/C3100N

PARTS NUMBER	FIGURE & KEY NO.	PARTS NUMBER	FIGURE & KEY NO.	PARTS NUMBER	FIGURE & KEY NO.
FA3-8894-000	810 - 1	FB6-3392-000	310 - 7	FB6-3484-000	300 - 7
FA4-1159-000	140 - 35	FB6-3392-000	311 - 7	FB6-3484-000	301 - 7
FA9-2112-000	103 - 23	FB6-3393-000	310 - 8	FB6-3486-000	300 - 8
FA9-2112-000	104 - 12	FB6-3393-000	311 - 8	FB6-3486-000	301 - 8
FA9-2112-000	261 - 1	FB6-3394-000	310 - 9	FB6-3490-000	300 - 9
FA9-2112-000	630 - 1	FB6-3394-000	311 - 9	FB6-3490-000	301 - 9
FA9-3988-000	100 - 9	FB6-3395-000	310 - 10	FB6-3499-000	300 - 31
FA9-4033-000	310 - 63	FB6-3395-000	311 - 10	FB6-3499-000	301 - 12
FA9-4033-000	311 - 63	FB6-3396-000	310 - 11	FB6-3506-000	300 - 10
FB1-8581-000	140 - 36	FB6-3396-000	311 - 11	FB6-3506-000	301 - 10
FB2-4375-000	810 - 54	FB6-3397-000	310 - 12	FB6-3507-000	102 - 2
FB3-1781-000	930 - 3	FB6-3397-000	311 - 12	FB6-3524-000	301 - 31
FB3-2224-000	101 - 32	FB6-3398-020	310 - 13	FB6-3666-000	810 - 2
FB3-2411-000	210 - 36	FB6-3398-020	311 - 13	FB6-3667-000	810 - 3
FB3-3192-020	102 - 1	FB6-3399-000	310 - 14	FB6-3674-000	810 - 4
FB4-2930-000	140 - 49	FB6-3399-000	311 - 14	FB6-3710-000	810 - 55
FB4-2930-000	810 - 66	FB6-3402-000	310 - 15	FB6-3950-000	100 - 2
FB5-4773-000	140 - 50	FB6-3402-000	311 - 15	FB6-4852-000	310 - 24
FB5-4773-000	810 - 67	FB6-3403-000	310 - 16	FB6-4852-000	311 - 24
FB5-4858-000	350 - 6	FB6-3403-000	311 - 16	FC5-0166-000	100 - 34
FB5-4896-000	350 - 12	FB6-3404-000	310 - 17	FC5-0166-000	210 - 4
FB5-4986-000	810 - 47	FB6-3404-000	311 - 17	FC5-0191-000	105 - 7
FB5-5269-000	810 - 48	FB6-3405-000	310 - 18	FC5-0195-000	105 - 8
FB5-6264-000	102 - 32	FB6-3405-000	311 - 18	FC5-0197-000	105 - 9
FB6-1321-000	210 - 1	FB6-3408-000	310 - 20	FC5-0201-000	105 - 13
FB6-1339-000	210 - 47	FB6-3408-000	311 - 20	FC5-0207-000	101 - 4
FB6-1357-000	210 - 2	FB6-3410-000	310 - 21	FC5-0214-000	104 - 1
FB6-1358-000	210 - 3	FB6-3410-000	311 - 21	FC5-0215-000	104 - 2
FB6-3150-000	810 - 72	FB6-3411-000	310 - 22	FC5-0226-000	640 - 1
FB6-3313-000	105 - 15	FB6-3411-000	311 - 22	FC5-0226-000	641 - 1
FB6-3313-000	145 - 1	FB6-3413-000	310 - 23	FC5-0226-000	642 - 1
FB6-3380-000	310 - 1	FB6-3413-000	311 - 23	FC5-0226-000	643 - 1
FB6-3380-000	311 - 1	FB6-3478-000	300 - 1	FC5-0227-000	640 - 2
FB6-3386-000	310 - 2	FB6-3478-000	301 - 1	FC5-0227-000	641 - 2
FB6-3386-000	311 - 2	FB6-3479-000	300 - 2	FC5-0227-000	642 - 2
FB6-3387-000	311 - 25	FB6-3479-000	301 - 2	FC5-0227-000	643 - 2
FB6-3388-000	310 - 3	FB6-3480-000	300 - 3	FC5-0228-000	640 - 3
FB6-3388-000	311 - 3	FB6-3480-000	301 - 3	FC5-0228-000	641 - 3
FB6-3389-000	310 - 4	FB6-3481-000	300 - 4	FC5-0228-000	642 - 3
FB6-3389-000	311 - 4	FB6-3481-000	301 - 4	FC5-0228-000	643 - 3
FB6-3390-000	310 - 5	FB6-3482-000	300 - 5	FC5-0233-000	640 - 4
FB6-3390-000	311 - 5	FB6-3482-000	301 - 5	FC5-0233-000	641 - 4
FB6-3391-000	310 - 6	FB6-3483-000	300 - 6	FC5-0233-000	642 - 4
FB6-3391-000	311 - 6	FB6-3483-000	301 - 6	FC5-0233-000	643 - 4

NUMERICAL INDEX

iR C3100/C3100F/C3100i/C3100N

PARTS NUMBER	FIGURE & KEY NO.	PARTS NUMBER	FIGURE & KEY NO.	PARTS NUMBER	FIGURE & KEY NO.
FC5-0234-000	640 - 5	FC5-0343-000	535 - 7	FC5-0488-000	140 - 37
FC5-0234-000	641 - 21	FC5-0344-000	535 - 8	FC5-0489-000	140 - 38
FC5-0234-000	642 - 21	FC5-0346-000	102 - 31	FC5-0490-000	140 - 39
FC5-0234-000	643 - 21	FC5-0347-000	102 - 28	FC5-0491-000	140 - 1
FC5-0238-000	640 - 6	FC5-0351-000	535 - 9	FC5-0496-000	140 - 2
FC5-0240-000	640 - 7	FC5-0358-000	102 - 10	FC5-0497-000	315 - 8
FC5-0241-000	640 - 8	FC5-0364-000	102 - 26	FC5-0516-000	104 - 16
FC5-0242-000	640 - 9	FC5-0365-000	102 - 25	FC5-0520-000	315 - 16
FC5-0242-000	641 - 5	FC5-0368-000	780 - 1	FC5-0521-000	140 - 8
FC5-0242-000	642 - 5	FC5-0372-000	780 - 14	FC5-0522-000	140 - 9
FC5-0242-000	643 - 5	FC5-0374-000	780 - 2	FC5-0523-000	103 - 4
FC5-0271-000	641 - 6	FC5-0378-000	780 - 3	FC5-0524-000	140 - 10
FC5-0271-000	642 - 6	FC5-0389-000	535 - 10	FC5-0525-000	140 - 11
FC5-0271-000	643 - 6	FC5-0390-000	535 - 11	FC5-0526-000	315 - 9
FC5-0273-000	641 - 7	FC5-0437-000	102 - 9	FC5-0527-000	315 - 10
FC5-0273-000	642 - 7	FC5-0444-000	900 - 1	FC5-0529-000	140 - 60
FC5-0273-000	643 - 7	FC5-0445-000	900 - 2	FC5-0530-000	315 - 17
FC5-0279-000	640 - 30	FC5-0446-000	930 - 1	FC5-0539-000	104 - 17
FC5-0284-000	640 - 10	FC5-0449-000	101 - 26	FC5-0540-000	104 - 18
FC5-0284-000	641 - 8	FC5-0450-000	101 - 27	FC5-0541-000	315 - 11
FC5-0284-000	642 - 8	FC5-0451-000	101 - 28	FC5-0542-000	140 - 42
FC5-0284-000	643 - 8	FC5-0452-000	101 - 29	FC5-0543-000	140 - 61
FC5-0286-000	641 - 9	FC5-0455-000	101 - 30	FC5-0544-000	315 - 1
FC5-0286-000	642 - 9	FC5-0456-000	101 - 31	FC5-0545-000	315 - 2
FC5-0286-000	643 - 9	FC5-0457-000	107 - 1	FC5-0546-000	315 - 19
FC5-0289-000	640 - 31	FC5-0458-000	107 - 2	FC5-0547-000	104 - 19
FC5-0293-000	640 - 32	FC5-0459-000	100 - 35	FC5-0548-000	141 - 23
FC5-0298-000	630 - 2	FC5-0461-000	640 - 12	FC5-0549-000	141 - 14
FC5-0299-000	630 - 5	FC5-0461-000	641 - 11	FC5-0550-000	141 - 11
FC5-0301-000	630 - 3	FC5-0461-000	642 - 11	FC5-0567-000	102 - 15
FC5-0303-000	103 - 7	FC5-0461-000	643 - 11	FC5-0568-000	102 - 16
FC5-0305-000	103 - 1	FC5-0463-000	535 - 12	FC5-0575-000	105 - 1
FC5-0306-000	103 - 2	FC5-0464-000	535 - 13	FC5-0576-000	100 - 3
FC5-0310-000	630 - 4	FC5-0467-000	780 - 4	FC5-0583-000	300 - 11
FC5-0320-000	103 - 8	FC5-0468-000	780 - 5	FC5-0583-000	301 - 11
FC5-0328-000	640 - 11	FC5-0469-000	780 - 6	FC5-0584-000	301 - 13
FC5-0328-000	641 - 10	FC5-0470-000	780 - 7	FC5-0585-000	300 - 12
FC5-0328-000	642 - 10	FC5-0477-000	315 - 3	FC5-0588-000	145 - 2
FC5-0328-000	643 - 10	FC5-0478-000	315 - 4	FC5-0590-000	145 - 4
FC5-0334-000	535 - 1	FC5-0479-000	315 - 5	FC5-0591-000	300 - 13
FC5-0337-000	535 - 3	FC5-0480-000	315 - 6	FC5-0592-000	145 - 5
FC5-0338-000	535 - 4	FC5-0481-000	315 - 7	FC5-0593-000	145 - 6
FC5-0341-000	535 - 5	FC5-0484-000	104 - 15	FC5-0594-000	145 - 7
FC5-0342-000	535 - 6	FC5-0487-000	140 - 59	FC5-0595-000	310 - 25

NUMERICAL INDEX

iR C3100/C3100F/C3100i/C3100N

PARTS NUMBER	FIGURE & KEY NO.	PARTS NUMBER	FIGURE & KEY NO.	PARTS NUMBER	FIGURE & KEY NO.
FC5-0596-000	105 - 16	FC5-0702-000	104 - 27	FC5-0809-000	100 - 4
FC5-0597-000	300 - 30	FC5-0703-000	140 - 62	FC5-0810-000	107 - 3
FC5-0597-000	301 - 30	FC5-0715-000	535 - 14	FC5-0812-000	100 - 23
FC5-0598-000	300 - 14	FC5-0721-000	535 - 15	FC5-0836-000	261 - 2
FC5-0598-000	301 - 14	FC5-0723-000	103 - 9	FC5-0837-000	261 - 3
FC5-0605-000	301 - 16	FC5-0726-000	810 - 5	FC5-0838-000	261 - 4
FC5-0622-000	300 - 15	FC5-0727-000	810 - 6	FC5-0839-000	261 - 5
FC5-0624-000	301 - 15	FC5-0735-000	810 - 58	FC5-0840-000	261 - 6
FC5-0635-000	300 - 16	FC5-0736-000	810 - 7	FC5-0843-000	107 - 8
FC5-0636-000	300 - 17	FC5-0737-000	810 - 59	FC5-0845-000	104 - 29
FC5-0637-000	301 - 17	FC5-0738-000	810 - 56	FC5-0846-000	104 - 30
FC5-0641-000	102 - 3	FC5-0739-000	810 - 57	FC5-0847-000	104 - 31
FC5-0651-000	140 - 12	FC5-0740-000	810 - 73	FC5-0854-000	103 - 5
FC5-0652-000	140 - 13	FC5-0741-000	810 - 8	FC5-0879-000	102 - 4
FC5-0653-000	140 - 14	FC5-0742-000	810 - 9	FC5-0889-000	100 - 5
FC5-0655-000	810 - 77	FC5-0746-000	810 - 69	FC5-0895-000	105 - 3
FC5-0657-000	140 - 51	FC5-0756-000	810 - 10	FC5-0936-000	100 - 7
FC5-0658-000	140 - 52	FC5-0757-000	810 - 74	FC5-0937-000	100 - 8
FC5-0659-000	140 - 15	FC5-0761-000	810 - 60	FC5-0940-000	101 - 25
FC5-0661-000	141 - 1	FC5-0765-000	810 - 11	FC5-0941-000	101 - 13
FC5-0662-000	141 - 2	FC5-0766-000	810 - 12	FC5-0942-000	100 - 10
FC5-0663-000	141 - 18	FC5-0767-000	810 - 13	FC5-0943-000	100 - 11
FC5-0664-000	141 - 3	FC5-0768-000	810 - 14	FC5-0944-000	100 - 12
FC5-0665-000	141 - 4	FC5-0769-000	810 - 15	FC5-0946-000	100 - 13
FC5-0666-000	141 - 5	FC5-0770-000	810 - 16	FC5-0953-000	100 - 14
FC5-0669-000	141 - 6	FC5-0771-000	810 - 17	FC5-0954-000	100 - 32
FC5-0670-000	104 - 33	FC5-0772-000	810 - 18	FC5-0955-000	100 - 15
FC5-0671-000	140 - 58	FC5-0775-000	810 - 19	FC5-0956-000	100 - 16
FC5-0672-000	102 - 27	FC5-0776-000	810 - 20	FC5-0957-000	100 - 24
FC5-0673-000	102 - 18	FC5-0778-000	810 - 21	FC5-0958-000	104 - 3
FC5-0674-000	140 - 16	FC5-0780-000	810 - 22	FC5-0959-000	104 - 4
FC5-0676-000	140 - 17	FC5-0783-000	810 - 61	FC5-0972-000	140 - 24
FC5-0677-000	140 - 18	FC5-0784-000	810 - 23	FC5-0973-000	103 - 20
FC5-0680-000	141 - 7	FC5-0785-000	810 - 24	FC5-1037-000	210 - 7
FC5-0682-000	140 - 19	FC5-0790-000	210 - 56	FC5-1057-000	130 - 13
FC5-0684-000	104 - 25	FC5-0792-000	210 - 5	FC5-1059-000	130 - 14
FC5-0685-000	140 - 20	FC5-0798-000	350 - 1	FC5-1060-000	130 - 15
FC5-0686-000	102 - 19	FC5-0799-000	350 - 2	FC5-1061-000	130 - 16
FC5-0687-000	102 - 20	FC5-0800-000	350 - 3	FC5-1064-000	130 - 17
FC5-0688-000	102 - 21	FC5-0803-000	140 - 22	FC5-1065-000	130 - 18
FC5-0689-000	102 - 22	FC5-0805-000	350 - 4	FC5-1066-000	130 - 19
FC5-0690-000	140 - 21	FC5-0806-000	350 - 5	FC5-1067-000	130 - 1
FC5-0691-000	140 - 53	FC5-0807-000	140 - 23	FC5-1107-000	100 - 25
FC5-0701-000	104 - 26	FC5-0808-000	100 - 22	FC5-1111-000	100 - 26

NUMERICAL INDEX

iR C3100/C3100F/C3100i/C3100N

PARTS NUMBER	FIGURE & KEY NO.	PARTS NUMBER	FIGURE & KEY NO.	PARTS NUMBER	FIGURE & KEY NO.
FC5-1142-000	992 - 1	FC5-5491-000	103 - 17	FF6-2064-000	301 - 22
FC5-1146-000	102 - 29	FC5-5498-000	101 - 15	FG3-1587-000	992 - 8
FC5-1147-000	990 - 5	FC5-5500-000	640 - 14	FG3-2302-000	310 - 28
FC5-1162-000	992 - 2	FC5-5504-000	141 - 19	FG3-2302-000	311 - 28
FC5-1168-000	110 - 6	FC5-5505-000	141 - 20	FG3-2374-000	101 - 5
FC5-1186-000	101 - 7	FC5-6541-000	535 - 27	FG3-2375-000	101 - 6
FC5-1354-000	140 - 25	FC5-6542-000	630 - 6	FG3-2728-000	900 - 17
FC5-1420-000	102 - 12	FC5-6542-000	641 - 16	FG3-2787-000	810 - 25
FC5-1422-000	300 - 18	FC5-6543-000	630 - 7	FG3-2790-000	810 - 25
FC5-1422-000	301 - 18	FC5-6543-000	642 - 16	FG3-2791-000	810 - 25
FC5-1423-000	300 - 19	FC5-6544-000	630 - 8	FG3-2792-000	911 - 1
FC5-1423-000	301 - 19	FC5-6544-000	643 - 16	FG3-2795-000	930 - 2
FC5-1424-000	300 - 20	FC5-6555-000	103 - 10	FG3-2796-000	980 - 1
FC5-1424-000	301 - 20	FC5-6556-000	103 - 11	FG3-2798-000	102 - 17
FC5-1425-000	300 - 21	FC5-6563-000	105 - 4	FG3-2800-000	315 - 14
FC5-1425-000	301 - 21	FC5-6566-000	102 - 24	FG3-2801-000	992 - 4
FC5-1426-000	210 - 8	FC5-6568-000	641 - 17	FG3-2807-000	106 - 4
FC5-1427-000	210 - 9	FC5-6568-000	642 - 17	FG3-2811-000	106 - 19
FC5-1439-000	210 - 10	FC5-6568-000	643 - 17	FG3-2813-000	680 - 5
FC5-1440-000	210 - 11	FC5-6569-000	810 - 78	FG3-2814-000	106 - 5
FC5-1441-000	210 - 12	FC5-6571-000	640 - 17	FG3-2820-000	992 - 5
FC5-1442-000	210 - 54	FC5-6571-000	641 - 18	FG3-2826-000	992 - 6
FC5-1443-000	210 - 55	FC5-6571-000	642 - 18	FG3-2828-000	992 - 7
FC5-1446-000	210 - 13	FC5-6571-000	643 - 18	FG3-2829-000	106 - 7
FC5-1447-000	210 - 14	FC5-6576-000	535 - 2	FG3-2834-000	130 - 7
FC5-1467-000	104 - 28	FC5-6578-000	104 - 32	FG3-2835-000	130 - 8
FC5-1473-000	210 - 15	FC5-6581-000	810 - 53	FG3-2836-000	130 - 9
FC5-1479-000	210 - 39	FC5-6583-000	105 - 2	FG3-2837-000	130 - 10
FC5-1492-000	210 - 51	FC5-6893-000	104 - 23	FG3-2851-000	990 - 1
FC5-1499-000	210 - 16	FC5-6910-000	630 - 9	FG3-2875-000	992 - 9
FC5-4458-000	130 - 2	FC5-6912-000	100 - 1	FG3-3135-000	900 - 13
FC5-4460-000	130 - 3	FC5-6916-000	810 - 46	FG3-3152-000	210 - 46
FC5-5462-000	100 - 17	FC5-6920-000	535 - 24	FG3-3153-000	210 - 29
FC5-5466-000	680 - 1	FC5-6934-000	310 - 19	FG3-3154-000	210 - 34
FC5-5468-000	680 - 2	FC5-6934-000	311 - 19	FG3-3155-000	210 - 57
FC5-5472-000	991 - 1	FF3-4525-000	110 - 5	FG3-3156-000	210 - 44
FC5-5473-000	991 - 2	FF3-4526-000	110 - 4	FG3-3157-000	210 - 35
FC5-5475-000	641 - 12	FF3-4527-000	110 - 7	FG3-3158-000	210 - 45
FC5-5476-000	642 - 12	FF3-4529-000	104 - 20	FG3-3159-000	931 -
FC5-5477-000	643 - 12	FF6-2058-000	310 - 26	FG3-3171-000	900 - 9
FC5-5490-000	640 - 13	FF6-2058-000	311 - 26	FG3-3172-000	900 - 10
FC5-5490-000	641 - 13	FF6-2059-000	310 - 27	FG3-3174-000	106 - 15
FC5-5490-000	642 - 13	FF6-2059-000	311 - 27	FG3-3178-000	106 - 22
FC5-5490-000	643 - 13	FF6-2064-000	300 - 22	FG3-3180-000	106 - 12

NUMERICAL INDEX

iR C3100/C3100F/C3100i/C3100N

PARTS NUMBER	FIGURE & KEY NO.	PARTS NUMBER	FIGURE & KEY NO.	PARTS NUMBER	FIGURE & KEY NO.
FG3-3181-000	103 - 15	FH2-9252-000	106 - 1	FH7-6368-000	110 - 8
FG3-3182-000	260 - 5	FH3-2656-000	106 - 2	FH7-7312-000	101 - 2
FG3-3185-000	105 - 6	FH3-2657-000	106 - 2	FH7-7312-000	103 - 21
FG3-3187-000	315 - 15	FH3-7215-000	210 - 18	FH7-7312-000	104 - 21
FG3-3188-000	140 - 48	FH4-1429-000	931 - IC519	FH7-7312-000	140 - 40
FG3-3189-000	140 - 33	FH4-1431-000	930 - IC23	FH7-7312-000	210 - 40
FG3-3193-000	104 - 24	FH4-6072-000	900 - IC8	FH7-7312-000	260 - 2
FG3-3195-000	107 - 12	FH4-6123-000	900 - IC10	FH7-7312-000	310 - 30
FG3-3196-000	261 - 20	FH4-6123-000	930 - IC19	FH7-7312-000	311 - 30
FG3-3198-000	101 - 8	FH4-6152-000	900 - IC4	FH7-7312-000	810 - 29
FG3-3199-000	810 - 45	FH4-6186-000	900 - IC17	FH7-7462-000	210 - 19
FG3-3202-000	101 - 14	FH4-6208-000	900 - IC3	FH7-7569-000	210 - 20
FG3-3221-000	900 - 11	FH4-6212-000	900 - IC15	FH7-7620-000	103 - 12
FG3-3223-000	900 - 16	FH4-6222-000	930 - IC37	FH7-7623-000	110 - 9
FG3-3225-000	900 - 12	FH4-6227-000	931 - IC515	FH7-7624-000	110 - 9
FG3-3464-000	990 - 3	FH5-1001-000	250 - 1	FH7-7629-000	103 - 13
FG3-3584-000	911 - 2	FH5-1004-000	250 - 2	FH7-7630-000	535 - 26
FG3-3589-000	106 - 21	FH5-1006-000	250 - 3	FH7-7631-000	810 - 30
FG6-8938-000	130 - 11	FH5-1028-000	210 - 48	FH7-7632-000	810 - 31
FG6-8939-000	130 - 12	FH5-1033-000	900 - 4	FH7-9334-000	210 - 62
FH2-5761-020	110 - 1	FH5-3218-000	991 - 3	FL2-0033-000	105 - 14
FH2-5763-000	110 - 3	FH5-3468-000	001 - 1	FL2-0059-000	640 - 18
FH2-5821-000	B - J5001	FH5-3469-000	001 - 1	FL2-0059-000	641 - 20
FH2-5825-000	B - J2017	FH5-3470-000	001 - 2	FL2-0059-000	642 - 20
FH2-6480-000	B - J2022	FH5-3471-000	001 - 2	FL2-0059-000	643 - 20
FH2-6480-000	B - J5006	FH5-3472-000	001 - 3	FL2-0065-000	640 - 16
FH2-6488-000	110 - 10	FH5-3474-000	001 - 4	FL2-0065-000	641 - 19
FH2-6552-000	100 - 19	FH5-3475-000	001 - 4	FL2-0065-000	642 - 19
FH2-6552-000	100 - 19	FH5-3476-000	001 - 5	FL2-0065-000	643 - 19
FH2-6855-000	B - J2017	FH5-3477-000	001 - 5	FL2-0069-000	210 - 6
FH2-7018-000	900 - 3	FH6-0834-000	130 - 5	FL2-0075-000	102 - 11
FH2-7018-000	B - J1110	FH6-1885-000	190 - 2	FL2-0076-000	535 - 16
FH2-7018-000	B - J2121	FH6-1972-000	107 - 15	FL2-0079-000	535 - 17
FH2-7036-000	100 - 21	FH6-1997-000	260 - 1	FL2-0081-000	535 - 18
FH2-7036-000	B - J502	FH6-1998-000	140 - 26	FL2-0082-000	535 - 19
FH2-7036-000	B - J1302	FH6-1999-000	107 - 4	FL2-0084-000	780 - 8
FH2-7037-000	130 - 4	FH6-5005-000	261 - 7	FL2-0085-000	780 - 9
FH2-7037-000	B - J1112	FH6-5055-000	310 - 29	FL2-0101-000	140 - 41
FH2-7054-000	210 - 17	FH6-5055-000	311 - 29	FL2-0104-000	104 - 6
FH2-7054-000	B - J510	FH6-5075-000	107 - 6	FL2-0105-000	141 - 8
FH2-7061-000	103 - 19	FH6-5076-000	261 - 8	FL2-0106-000	140 - 3
FH2-7072-000	992 - 3	FH6-5078-000	680 - 6	FL2-0108-000	141 - 9
FH2-7072-000	B - J1	FH7-4763-000	810 - 27	FL2-0116-000	102 - 13
FH2-7072-000	B - J102	FH7-6367-000	810 - 28	FL2-0126-000	145 - 3

NUMERICAL INDEX

iR C3100/C3100F/C3100i/C3100N

PARTS NUMBER	FIGURE & KEY NO.	PARTS NUMBER	FIGURE & KEY NO.	PARTS NUMBER	FIGURE & KEY NO.
FL2-0127-000	210 - 21	FM2-0096-000	680 -	FM2-1742-000	100 - 30
FL2-0128-000	210 - 22	FM2-0102-000	110 -	FM2-1743-000	100 - 30
FL2-0138-000	140 - 57	FM2-0103-000	992 - 10	FM2-1744-000	911 -
FL2-0140-000	141 - 10	FM2-0111-000	140 - 34	FS1-1187-000	311 - 31
FL2-0143-000	140 - 55	FM2-0112-000	315 -	FS1-1205-000	310 - 32
FL2-0144-000	810 - 68	FM2-0130-000	107 - 7	FS1-1205-000	311 - 32
FL2-0159-000	100 - 18	FM2-0131-000	145 -	FS1-1213-000	310 - 33
FL2-0167-000	810 - 62	FM2-0150-000	140 -	FS1-1213-000	311 - 33
FL2-0178-000	350 - 7	FM2-0154-000	141 -	FS1-9003-000	103 - 18
FL2-0189-000	105 - 20	FM2-0172-000	810 -	FS5-1209-000	140 - 43
FL2-0203-000	101 - 12	FM2-0173-000	810 -	FS5-1595-000	105 - 17
FL2-0203-000	107 - 5	FM2-0174-000	810 -	FS5-1595-000	145 - 8
FL2-0208-000	101 - 20	FM2-0176-000	810 - 26	FS5-1597-000	310 - 34
FL2-0211-000	100 - 27	FM2-0177-000	350 - 13	FS5-1597-000	311 - 34
FL2-0212-000	100 - 28	FM2-0186-000	350 -	FS5-1943-000	350 - 8
FL2-0219-000	103 - 6	FM2-0187-000	260 -	FS5-1943-000	810 - 32
FL2-0220-000	210 - 23	FM2-0190-000	910 -	FS5-1947-000	261 - 9
FL2-0223-000	210 - 24	FM2-0197-000	250 -	FS5-6947-000	810 - 33
FL2-0224-000	210 - 24	FM2-0198-000	261 -	FS5-9227-020	210 - 41
FL2-0225-000	210 - 24	FM2-0209-000	900 - 14	FS5-9282-000	100 - 20
FL2-0230-000	103 - 14	FM2-0210-000	900 - 15	FS5-9664-000	105 - 21
FL2-0273-000	210 - 24	FM2-0216-000	910 -	FS5-9752-000	810 - 49
FL2-0279-000	210 - 25	FM2-0217-000	911 -	FS6-1063-000	310 - 35
FL2-1148-000	130 - 6	FM2-0217-000	911 -	FS6-1063-000	311 - 35
FL2-1450-000	210 - 37	FM2-0220-000	980 -	FS6-2790-000	140 - 44
FL2-1450-000	210 - 37	FM2-0224-000	100 - 30	FS6-2791-000	140 - 45
FL2-1450-000	210 - 37	FM2-0238-000	130 -	FS6-8116-000	300 - 23
FL2-1450-000	210 - 37	FM2-0240-000	130 -	FS6-8116-000	301 - 23
FL2-1460-000	100 - 6	FM2-0259-000	110 -	FS6-8992-000	101 - 22
FM2-0041-000	460 -	FM2-0262-000	106 - 20	FS7-2788-000	105 - 18
FM2-0056-000	640 -	FM2-0270-000	991 -	FS7-2788-000	145 - 9
FM2-0057-000	641 -	FM2-0271-000	992 -	FS7-2797-000	310 - 36
FM2-0058-000	642 -	FM2-0275-000	110 -	FS7-2797-000	311 - 36
FM2-0059-000	643 -	FM2-0305-000	102 - 30	FS7-2798-000	310 - 37
FM2-0064-000	640 - 29	FM2-0815-000	130 -	FS7-2798-000	311 - 37
FM2-0065-000	641 - 15	FM2-1116-000	130 - 20	FS7-2800-000	310 - 38
FM2-0065-000	642 - 15	FM2-1118-000	130 -	FS7-2800-000	311 - 38
FM2-0065-000	643 - 15	FM2-1563-000	210 - 38	FS7-2801-000	310 - 39
FM2-0080-000	103 - 3	FM2-1564-000	100 - 30	FS7-2801-000	311 - 39
FM2-0081-000	535 -	FM2-1565-000	100 - 30	FS7-2802-000	310 - 40
FM2-0082-000	780 -	FM2-1566-000	100 - 30	FS7-2802-000	311 - 40
FM2-0083-000	101 - 23	FM2-1577-000	310 -	FS7-2803-000	310 - 41
FM2-0084-000	190 -	FM2-1578-000	311 -	FS7-2803-000	311 - 41
FM2-0086-000	101 - 17	FM2-1741-000	100 - 30	FS7-2805-000	300 - 24

NUMERICAL INDEX

iR C3100/C3100F/C3100i/C3100N

PARTS NUMBER	FIGURE & KEY NO.	PARTS NUMBER	FIGURE & KEY NO.	PARTS NUMBER	FIGURE & KEY NO.
FS7-2805-000	301 - 24	FU5-0027-000	104 - 7	FU5-0963-000	535 - 20
FS7-2817-000	810 - 34	FU5-0031-000	261 - 12	FU5-1006-000	140 - 28
FS7-5909-000	310 - 42	FU5-0032-000	261 - 13	FU5-1009-000	141 - 12
FS7-5909-000	311 - 42	FU5-0033-000	261 - 14	FU5-1010-000	104 - 8
FS7-5910-000	310 - 43	FU5-0036-000	261 - 15	FU5-1011-000	104 - 9
FS7-5910-000	311 - 43	FU5-0037-000	261 - 16	FU5-2027-000	141 - 13
FS8-8194-000	100 - 37	FU5-0041-000	810 - 35	FU5-2028-000	810 - 50
FU3-0280-000	310 - 44	FU5-0042-000	810 - 63	FU5-2030-000	145 - 10
FU3-0280-000	311 - 44	FU5-0043-000	810 - 36	FU5-2032-000	300 - 27
FU3-0282-000	310 - 45	FU5-0044-000	810 - 37	FU5-2033-000	301 - 27
FU3-0282-000	311 - 45	FU5-0045-000	640 - 19	FU5-2034-000	140 - 47
FU3-0283-000	310 - 46	FU5-0045-000	641 - 22	FU5-2035-000	104 - 22
FU3-0283-000	311 - 46	FU5-0045-000	642 - 22	FU5-2037-000	141 - 15
FU3-0284-000	310 - 47	FU5-0045-000	643 - 22	FU5-2038-000	105 - 10
FU3-0284-000	311 - 47	FU5-0046-000	640 - 20	FU5-2042-000	810 - 40
FU3-0285-000	107 - 13	FU5-0047-000	640 - 21	FU5-2044-000	140 - 56
FU3-0288-000	310 - 48	FU5-0048-000	640 - 22	FU5-2045-000	140 - 4
FU3-0288-000	311 - 48	FU5-0048-000	641 - 23	FU5-2048-000	810 - 75
FU3-0289-000	310 - 49	FU5-0048-000	642 - 23	FU5-2049-000	535 - 21
FU3-0289-000	311 - 49	FU5-0048-000	643 - 23	FU5-2050-000	535 - 22
FU3-0290-000	310 - 50	FU5-0049-000	640 - 33	FU5-2052-000	535 - 23
FU3-0290-000	311 - 50	FU5-0049-000	641 - 24	FU5-2053-000	780 - 11
FU3-0291-000	310 - 51	FU5-0049-000	642 - 24	FU5-2054-000	780 - 12
FU3-0291-000	311 - 51	FU5-0049-000	643 - 24	FU5-2055-000	105 - 22
FU3-0292-000	310 - 52	FU5-0050-000	640 - 23	FU5-2057-000	210 - 42
FU3-0292-000	311 - 52	FU5-0050-000	641 - 25	FU5-2062-000	810 - 41
FU3-0293-000	300 - 25	FU5-0050-000	642 - 25	FU5-2063-000	140 - 29
FU3-0293-000	301 - 25	FU5-0050-000	643 - 25	FU5-2064-000	102 - 23
FU3-0294-000	300 - 26	FU5-0051-000	640 - 24	FU5-2066-000	105 - 5
FU3-0294-000	301 - 26	FU5-0051-000	641 - 26	FU5-2067-000	140 - 7
FU3-0347-000	310 - 53	FU5-0051-000	642 - 26	FU5-2068-000	350 - 10
FU3-0347-000	311 - 53	FU5-0051-000	643 - 26	FU5-2069-000	101 - 19
FU3-0349-000	310 - 54	FU5-0052-000	640 - 25	FU5-2070-000	101 - 18
FU3-0349-000	311 - 54	FU5-0052-000	641 - 27	FU5-2071-000	141 - 16
FU3-0350-000	310 - 55	FU5-0052-000	642 - 27	FU5-2072-000	141 - 17
FU3-0350-000	311 - 55	FU5-0052-000	643 - 27	FU5-2073-000	810 - 70
FU3-0352-000	310 - 56	FU5-0061-000	140 - 46	FU5-2074-000	350 - 11
FU3-0352-000	311 - 56	FU5-0062-000	315 - 12	FU5-2075-000	680 - 3
FU5-0006-000	140 - 27	FU5-0063-000	315 - 13	FU5-2083-000	810 - 71
FU5-0007-000	261 - 10	FU5-0067-000	810 - 38	FU5-2091-000	210 - 26
FU5-0009-000	261 - 11	FU5-0068-000	810 - 39	FU5-2097-000	300 - 28
FU5-0010-000	260 - 3	FU5-0070-000	640 - 26	FU5-2097-000	301 - 28
FU5-0019-000	101 - 33	FU5-0073-000	780 - 10	FU5-2103-000	210 - 27
FU5-0020-000	101 - 34	FU5-0128-000	350 - 9	FU5-2104-000	300 - 29

NUMERICAL INDEX

iR C3100/C3100F/C3100i/C3100N

PARTS NUMBER	FIGURE & KEY NO.	PARTS NUMBER	FIGURE & KEY NO.	PARTS NUMBER	FIGURE & KEY NO
FU5-2104-000	301 - 29	ME1-0059-000	100 - 36	NPN	B - J2052
FU5-2105-000	210 - 63	NPN	001 -	NPN	B - J2053
FU5-2611-000	141 - 22	NPN	100 -	NPN	B - J2054
FU5-3016-000	140 - 30	NPN	101 -	NPN	B - J2055
FU5-3030-000	210 - 49	NPN	102 -	NPN	B - J2056
FU5-5031-000	810 - 76	NPN	103 -	NPN	B - J2057
FU5-6014-000	140 - 5	NPN	104 -	NPN	B - J2058
FU5-8001-000	210 - 58	NPN	105 -	NPN	B - J2059
FU5-8002-000	210 - 59	NPN	106 -	NPN	B - J2061
FU5-8003-000	210 - 58	NPN	107 -	NPN	B - J2063
FU5-8004-000	210 - 59	NPN	210 -	NPN	B - J2066
FU5-8005-000	210 - 58	NPN	300 -	NPN	B - J2072
FU5-8006-000	210 - 59	NPN	301 -	NPN	B - J2073
FU5-8007-000	210 - 58	NPN	630 -	NPN	B - J2074
FU5-8008-000	210 - 59	NPN	900 -	NPN	B - J2083
FU5-8011-000	145 - 11	NPN	930 -	NPN	B - J2084
FU5-8012-000	101 - 11	NPN	990 -	NPN	B - J2086
FU5-8013-000	101 - 11	NPN	B -	NPN	B - J2087
FU5-8014-000	105 - 19	NPN	B - J2	NPN	B - J2093
FU5-8015-000	101 - 24	NPN	B - J3	NPN	B - J2095
FU5-8019-000	100 - 33	NPN	B - J1113	NPN	B - J2096
FU5-8021-000	100 - 31	NPN	B - J1114	NPN	B - J2097
FU5-8022-000	101 - 11	NPN	B - J2004	NPN	B - J2098
FU5-8203-000	210 - 28	NPN	B - J2005	NPN	B - J2099
FU5-8204-000	210 - 28	NPN	B - J2007	NPN	B - J2101
FU5-8205-000	210 - 28	NPN	B - J2008	NPN	B - J2102
FU5-8206-000	210 - 28	NPN	B - J2009	NPN	B - J2103
FU5-8207-000	210 - 28	NPN	B - J2015	NPN	B - J2104
FU5-8208-000	210 - 28	NPN	B - J2027	NPN	B - J2105
FU5-8209-000	210 - 28	NPN	B - J2028	NPN	B - J2121
FU5-8210-000	210 - 28	NPN	B - J2029	NPN	B - J2122
FU5-8211-000	210 - 28	NPN	B - J2031	NPN	B - J2127
FU5-8215-000	210 - 28	NPN	B - J2032	NPN	B - J2128
FU5-8216-000	210 - 28	NPN	B - J2034	NPN	B - J2131
FU5-8217-000	210 - 28	NPN	B - J2036	NPN	B - J2132
FU5-9006-000	210 - 30	NPN	B - J2037	NPN	B - J2133
HG5-1866-000	992 - 11	NPN	B - J2039	NPN	B - J2134
HH2-2830-000	990 - 7	NPN	B - J2041	NPN	B - J2150
KE8-1014-080	900 - 6	NPN	B - J2043	NPN	B - J5002
KE8-1028-058	210 - 53	NPN	B - J2044	NPN	B - J5005
KE8-1029-031	210 - 52	NPN	B - J2047	NPN	B - J5007
KE8-1029-064	931 - 1	NPN	B - J2049	NPN	B - J5010
KE8-1049-100	900 - 18	NPN	B - J2050	NPN	B - J5011
KE8-1056-095	900 - 19	NPN	B - J2051	NPN	B - J5012

NUMERICAL INDEX

iR C3100/C3100F/C3100i/C3100N

PARTS NUMBER	FIGURE & KEY NO.	PARTS NUMBER	FIGURE & KEY NO.	PARTS NUMBER	FIGURE & KEY NO
NPN	B - J5013	PCB	B - J281	PCB	B - J512
NPN	B - J5019	PCB	B - J282	PCB	B - J601
PCB	B - J1	PCB	B - J301	PCB	B - J640
PCB	B - J1	PCB	B - J303	PCB	B - J641
PCB	B - J1	PCB	B - J304	PCB	B - J642
PCB	B - J2	PCB	B - J305	PCB	B - J643
PCB	B - J2	PCB	B - J306	PCB	B - J644
PCB	B - J3	PCB	B - J307	PCB	B - J645
PCB	B - J3	PCB	B - J308	PCB	B - J647
PCB	B - J4	PCB	B - J309	PCB	B - J701
PCB	B - J31	PCB	B - J310	PCB	B - J702
PCB	B - J101	PCB	B - J311	PCB	B - J705
PCB	B - J102	PCB	B - J312	PCB	B - J706
PCB	B - J104	PCB	B - J313	PCB	B - J782
PCB	B - J105	PCB	B - J314	PCB	B - J911
PCB	B - J201	PCB	B - J315	PCB	B - J1101
PCB	B - J202	PCB	B - J316	PCB	B - J1101
PCB	B - J203	PCB	B - J317	PCB	B - J1102
PCB	B - J204	PCB	B - J318	PCB	B - J1102
PCB	B - J204	PCB	B - J319	PCB	B - J1103
PCB	B - J205	PCB	B - J320	PCB	B - J1103
PCB	B - J205	PCB	B - J321	PCB	B - J1104
PCB	B - J210	PCB	B - J322	PCB	B - J1104
PCB	B - J211	PCB	B - J323	PCB	B - J1104
PCB	B - J212	PCB	B - J324	PCB	B - J1105
PCB	B - J213	PCB	B - J325	PCB	B - J1105
PCB	B - J214	PCB	B - J326	PCB	B - J1106
PCB	B - J215	PCB	B - J327	PCB	B - J1106
PCB	B - J217	PCB	B - J328	PCB	B - J1110
PCB	B - J218	PCB	B - J329	PCB	B - J1110
PCB	B - J221	PCB	B - J500	PCB	B - J1111
PCB	B - J222	PCB	B - J501	PCB	B - J1111
PCB	B - J223	PCB	B - J501	PCB	B - J1112
PCB	B - J224	PCB	B - J502	PCB	B - J1113
PCB	B - J225	PCB	B - J502	PCB	B - J1113
PCB	B - J250	PCB	B - J503	PCB	B - J1114
PCB	B - J251	PCB	B - J504	PCB	B - J1201
PCB	B - J252	PCB	B - J504	PCB	B - J1202
PCB	B - J253	PCB	B - J505	PCB	B - J1203
PCB	B - J254	PCB	B - J505	PCB	B - J1204
PCB	B - J255	PCB	B - J506	PCB	B - J1205
PCB	B - J260	PCB	B - J506	PCB	B - J1206
PCB	B - J261	PCB	B - J510	PCB	B - J1207
PCB	B - J280	PCB	B - J511	PCB	B - J1208

NUMERICAL INDEX

iR C3100/C3100F/C3100i/C3100N

PARTS NUMBER	FIGURE & KEY NO.	PARTS NUMBER	FIGURE & KEY NO.	PARTS NUMBER	FIGURE & KEY NO
PCB	B - J1209	SYS	B - J2125	VS1-5057-003	B - J2067
PCB	B - J1210	SYS	B - J5006	VS1-5057-003	B - J2068
PCB	B - J1211	SYS	B - J5016	VS1-5057-003	B - J2106
PCB	B - J1212	SYS	B - J5017	VS1-5057-003	B - J2118
PCB	B - J1213	VR7-5820-103	261 - 17	VS1-5057-003	B - J2128
PCB	B - J1302	VS1-0279-004	B - J2121	VS1-5057-004	104 - 11
PCB	B - J1403	VS1-0280-004	B - J2121	VS1-5057-004	210 - 60
PCB	B - J1403	VS1-0842-002	B - J215	VS1-5057-004	810 - 51
PCB	B - J2069	VS1-0842-002	B - J701	VS1-5057-004	B - J2007
PCB	B - J2076	VS1-0842-002	B - J1208	VS1-5057-004	B - J2035
PCB	B - J2080	VS1-0842-002	B - J2113	VS1-5057-004	B - J5007
PCB	B - J2080	VS1-0842-003	B - J213	VS1-5057-005	810 - 52
PCB	B - J2110	VS1-0842-003	B - J327	VS1-5057-005	B - J2008
PCB	B - J2112	VS1-0842-003	B - J2067	VS1-5057-006	102 - 7
PCB	B - J2112	VS1-0842-003	B - J2068	VS1-5057-006	106 - 9
PCB	B - J2115	VS1-0842-003	B - J2069	VS1-5057-006	210 - 61
PCB	B - J5015	VS1-0842-004	B - J319	VS1-5057-006	680 - 7
PCB	B - J5018	VS1-5057-002	104 - 5	VS1-5057-006	B - J2003
PCB	B - J6801	VS1-5057-002	107 - 9	VS1-5057-006	B - J2130
PCB	B - J6802	VS1-5057-002	310 - 31	VS1-5057-006	B - J5009
RB1-6539-000	310 - 57	VS1-5057-002	311 - 62	VS1-5057-007	106 - 10
RB1-6539-000	311 - 57	VS1-5057-002	680 - 4	VS1-5057-007	B - J2006
RB1-8945-000	310 - 58	VS1-5057-002	992 - 12	VS1-5057-008	101 - 9
RB1-8945-000	311 - 58	VS1-5057-002	B - J2040	VS1-5057-008	B - J2123
RB2-0493-000	810 - 64	VS1-5057-002	B - J2042	VS1-5057-010	106 - 11
RB2-5850-000	140 - 6	VS1-5057-002	B - J2044	VS1-5057-010	B - J2111
RH7-5168-000	104 - 10	VS1-5057-002	B - J2060	VS1-5352-002	B - J2059
RH7-7129-000	104 - 13	VS1-5057-002	B - J2099	VS1-5452-002	B - J641
RS1-1087-000	810 - 65	VS1-5057-002	B - J2105	VS1-5452-005	B - J303
RS1-9025-000	105 - 23	VS1-5057-002	B - J2127	VS1-5452-005	B - J504
RS5-1002-000	780 - 13	VS1-5057-002	B - J2131	VS1-5452-006	B - J2
RS5-1567-000	310 - 59	VS1-5057-003	101 - 3	VS1-5452-006	B - J101
RS5-1567-000	311 - 59	VS1-5057-003	105 - 12	VS1-5452-006	B - J305
RS6-8382-000	460 - 1	VS1-5057-003	106 - 8	VS1-5452-006	B - J2030
SYS	B - J2013	VS1-5057-003	107 - 10	VS1-5452-007	B - J304
SYS	B - J2014	VS1-5057-003	140 - 54	VS1-5452-007	B - J503
SYS	B - J2018	VS1-5057-003	190 - 1	VS1-5452-007	B - J2014
SYS	B - J2019	VS1-5057-003	B - J2027	VS1-5452-007	B - J2022
SYS	B - J2021	VS1-5057-003	B - J2033	VS1-5452-007	B - J2025
SYS	B - J2022	VS1-5057-003	B - J2038	VS1-5452-007	B - J5016
SYS	B - J2111	VS1-5057-003	B - J2046	VS1-5452-008	B - J2022
SYS	B - J2111	VS1-5057-003	B - J2048	VS1-5452-008	B - J5017
SYS	B - J2113	VS1-5057-003	B - J2051	VS1-5729-004	B - J2013
SYS	B - J2121	VS1-5057-003	B - J2052	VS1-5820-006	106 - 13

NUMERICAL INDEX

iR C3100/C3100F/C3100i/C3100N

PARTS NUMBER	FIGURE & KEY NO.	PARTS NUMBER	FIGURE & KEY NO.	PARTS NUMBER	FIGURE & KEY NO
VSI-5820-006	B - J2030	VSI-6302-007	B - J324	VSI-6314-008	B - J307
VSI-5820-007	106 - 16	VSI-6302-008	B - J261	VSI-6314-008	B - J1207
VSI-5820-007	107 - 11	VSI-6302-014	B - J104	VSI-6314-008	B - J2129
VSI-5820-007	B - J2014	VSI-6313-009	B - J320	VSI-6314-009	B - J320
VSI-5820-007	B - J2025	VSI-6313-009	B - J2026	VSI-6314-009	B - J506
VSI-5824-002	B - J2127	VSI-6313-011	B - J321	VSI-6314-009	B - J2026
VSI-5824-003	B - J2004	VSI-6313-012	B - J311	VSI-6314-009	B - J2115
VSI-5824-003	B - J2005	VSI-6313-013	B - J316	VSI-6314-010	B - J210
VSI-5824-003	B - J2046	VSI-6313-014	B - J322	VSI-6314-010	B - J310
VSI-5824-003	B - J2048	VSI-6313-014	B - J2100	VSI-6314-010	B - J314
VSI-5824-003	B - J2050	VSI-6313-016	B - J326	VSI-6314-010	B - J1209
VSI-5824-003	B - J2051	VSI-6313-017	B - J1502	VSI-6314-010	B - J2071
VSI-5824-003	B - J2052	VSI-6313-018	B - J1212	VSI-6314-010	B - J2085
VSI-5824-004	B - J1205	VSI-6313-018	B - J2116	VSI-6314-011	B - J321
VSI-5824-004	B - J2007	VSI-6313-018	B - J2117	VSI-6314-011	B - J2139
VSI-5824-004	B - J5007	VSI-6313-020	B - J31	VSI-6314-012	B - J311
VSI-5824-005	B - J2008	VSI-6313-020	B - J1210	VSI-6314-013	B - J316
VSI-5824-006	B - J309	VSI-6313-020	B - J2119	VSI-6314-013	B - J325
VSI-5824-006	B - J2003	VSI-6314-002	B - J280	VSI-6314-013	B - J2140
VSI-5824-007	B - J2006	VSI-6314-002	B - J2120	VSI-6314-014	B - J322
VSI-5824-008	B - J306	VSI-6314-003	B - J217	VSI-6314-014	B - J2094
VSI-5824-013	B - J601	VSI-6314-003	B - J512	VSI-6314-014	B - J2100
VSI-5824-014	B - J329	VSI-6314-003	B - J1203	VSI-6314-014	B - J6801
VSI-6225-006	B - J2021	VSI-6314-003	B - J1211	VSI-6314-015	B - J317
VSI-6225-008	B - J318	VSI-6314-003	B - J2039	VSI-6314-015	B - J2045
VSI-6225-008	B - J2021	VSI-6314-003	B - J2041	VSI-6314-016	B - J326
VSI-6302-002	B - J214	VSI-6314-003	B - J2043	VSI-6314-016	B - J1501
VSI-6302-002	B - J281	VSI-6314-003	B - J2061	VSI-6314-016	B - J6802
VSI-6302-002	B - J643	VSI-6314-003	B - J2063	VSI-6314-017	B - J308
VSI-6302-002	B - J1506	VSI-6314-003	B - J5015	VSI-6314-018	B - J1212
VSI-6302-003	B - J218	VSI-6314-004	B - J222	VSI-6314-018	B - J2116
VSI-6302-003	B - J282	VSI-6314-004	B - J511	VSI-6314-018	B - J2117
VSI-6302-003	B - J647	VSI-6314-005	B - J224	VSI-6314-020	B - J31
VSI-6302-004	B - J223	VSI-6314-005	B - J254	VSI-6314-020	B - J1210
VSI-6302-004	B - J260	VSI-6314-005	B - J328	VSI-6314-020	B - J2119
VSI-6302-004	B - J505	VSI-6314-005	B - J2064	VSI-6318-002	992 - 13
VSI-6302-004	B - J644	VSI-6314-005	B - J2066	VSI-6318-002	B - J2120
VSI-6302-004	B - J645	VSI-6314-006	B - J1	VSI-6318-005	B - J2064
VSI-6302-004	B - J1202	VSI-6314-006	B - J507	VSI-6318-006	980 - 2
VSI-6302-004	B - J2023	VSI-6314-006	B - J511	VSI-6318-006	B - J507
VSI-6302-006	B - J221	VSI-6314-006	B - J1213	VSI-6318-007	102 - 8
VSI-6302-006	B - J313	VSI-6314-006	B - J2110	VSI-6318-007	B - J2075
VSI-6302-006	B - J2011	VSI-6314-007	B - J2075	VSI-6318-008	106 - 3
VSI-6302-007	B - J251	VSI-6314-007	B - J2076	VSI-6318-008	B - J2129

NUMERICAL INDEX

iR C3100/C3100F/C3100i/C3100N

PARTS NUMBER	FIGURE & KEY NO.	PARTS NUMBER	FIGURE & KEY NO.	PARTS NUMBER	FIGURE & KEY NO
VSI-6318-010	103 - 22	VSI-6321-003	B - J2093	VSI-6982-002	B - J2012
VSI-6318-010	260 - 6	VSI-6321-003	B - J2095	VSI-6982-002	B - J2020
VSI-6318-010	B - J2071	VSI-6321-003	B - J2096	VSI-6982-002	B - J2024
VSI-6318-010	B - J2085	VSI-6321-003	B - J2097	VSI-6982-004	B - J2001
VSI-6318-014	310 - 60	VSI-6321-003	B - J2098	VSI-6982-004	B - J2002
VSI-6318-014	311 - 60	VSI-6321-003	B - J2101	VSI-6982-005	B - J2016
VSI-6318-014	B - J2094	VSI-6321-003	B - J2102	VSI-7110-002	B - J315
VSI-6318-014	B - J2100	VSI-6321-003	B - J2103	VSI-7110-002	B - J500
VSI-6318-015	106 - 14	VSI-6321-003	B - J2104	VSI-7110-002	B - J642
VSI-6318-015	B - J2045	VSI-6321-003	B - J2106	VSI-7110-002	B - J782
VSI-6319-018	101 - 1	VSI-6321-003	B - J2118	VSI-7110-002	B - J2012
VSI-6319-018	B - J2026	VSI-6321-003	B - J2128	VSI-7110-002	B - J2020
VSI-6319-036	B - J2116	VSI-6321-003	B - J2138	VSI-7110-002	B - J2024
VSI-6319-040	992 - 14	VSI-6321-003	B - J2150	VSI-7110-002	B - J2053
VSI-6319-040	B - J2119	VSI-6321-003	B - J5010	VSI-7110-002	B - J2055
VSI-6320-002	B - J2060	VSI-6321-003	B - J5011	VSI-7110-002	B - J2133
VSI-6320-004	B - J2084	VSI-6321-003	B - J5012	VSI-7110-003	B - J203
VSI-6321-002	B - J2032	VSI-6321-003	B - J5013	VSI-7110-003	B - J640
VSI-6321-002	B - J2040	VSI-6321-004	B - J2035	VSI-7110-003	B - J705
VSI-6321-002	B - J2042	VSI-6321-004	B - J2072	VSI-7110-003	B - J706
VSI-6321-002	B - J2044	VSI-6321-004	B - J2083	VSI-7110-003	B - J1504
VSI-6321-002	B - J2059	VSI-6321-006	B - J1206	VSI-7110-004	B - J312
VSI-6321-002	B - J2060	VSI-6321-006	B - J2003	VSI-7110-004	B - J323
VSI-6321-002	B - J2062	VSI-6321-006	B - J2054	VSI-7110-004	B - J501
VSI-6321-002	B - J2099	VSI-6321-006	B - J2130	VSI-7110-004	B - J702
VSI-6321-002	B - J2105	VSI-6321-006	B - J2132	VSI-7110-004	B - J2001
VSI-6321-002	B - J2131	VSI-6321-006	B - J2134	VSI-7110-004	B - J2002
VSI-6321-002	B - J2137	VSI-6321-006	B - J5008	VSI-7110-005	B - J202
VSI-6321-003	B - J2027	VSI-6321-006	B - J5009	VSI-7110-005	B - J1505
VSI-6321-003	B - J2028	VSI-6321-007	B - J2006	VSI-7110-005	B - J2016
VSI-6321-003	B - J2029	VSI-6321-007	B - J2056	VSI-7110-007	B - J225
VSI-6321-003	B - J2031	VSI-6321-008	B - J2123	VS3-0053-002	B - J5004
VSI-6321-003	B - J2033	VSI-6321-008	B - J2125	VS3-0143-002	B - J2126
VSI-6321-003	B - J2034	VSI-6321-010	B - J2111	VS3-5002-004	B - J5018
VSI-6321-003	B - J2036	VSI-6534-004	B - J253	VS3-5080-002	B - J4
VSI-6321-003	B - J2037	VSI-6702-004	B - J2023	VS3-5080-007	B - J3
VSI-6321-003	B - J2038	VSI-6702-006	B - J2011	VS3-5080-007	B - J911
VSI-6321-003	B - J2046	VSI-6702-006	B - J2057	VS3-5083-002	B - J255
VSI-6321-003	B - J2047	VSI-6702-010	B - J2018	VS3-5083-004	B - J212
VSI-6321-003	B - J2048	VSI-6702-012	B - J2019	VS3-5083-004	B - J1111
VSI-6321-003	B - J2049	VSI-6757-006	B - J507	VS3-5083-006	B - J211
VSI-6321-003	B - J2058	VSI-6757-006	B - J2086	VS3-5083-007	B - J250
VSI-6321-003	B - J2073	VSI-6757-010	B - J2085	VS3-5083-010	B - J252
VSI-6321-003	B - J2074	VSI-6757-015	B - J2045	VS3-5083-010	B - J1201

NUMERICAL INDEX

iR C3100/C3100F/C3100i/C3100N

PARTS NUMBER	FIGURE & KEY NO.	PARTS NUMBER	FIGURE & KEY NO.	PARTS NUMBER	FIGURE & KEY NO
VS3-5094-004	B - J2087	WS3-5354-000	B - J2009	WS3-5720-000	B - J2018
VS3-5116-003	B - J2009	WS3-5358-000	B - J306	WS3-5720-000	B - J2019
VS3-5207-003	B - J2009	WS3-5358-000	B - J309	WS3-5721-000	B - J507
VS4-0001-002	B - J5003	WS3-5358-000	B - J329	WS3-5721-000	B - J2045
VS4-0001-012	B - J2010	WS3-5358-000	B - J601	WS3-5721-000	B - J2085
VS4-0002-002	B - J2015	WS3-5358-000	B - J1205	WS3-5721-000	B - J2086
VS4-0002-002	B - J5002	WS3-5358-000	B - J2046	WS3-5730-000	B - J2003
VS4-0002-002	B - J5005	WS3-5358-000	B - J2048	WS3-5730-000	B - J2004
VS4-0002-003	B - J5019	WS3-5358-000	B - J2050	WS3-5730-000	B - J2005
VS4-0002-012	B - J2010	WS3-5358-000	B - J2051	WS3-5730-000	B - J2006
VT2-5161-018	B - J320	WS3-5358-000	B - J2052	WS3-5730-000	B - J2007
VT2-5161-018	B - J2026	WS3-5358-000	B - J2127	WS3-5730-000	B - J2008
VT2-5161-022	B - J321	WS3-5358-000	B - J5007	WS3-5744-000	B - J2001
VT2-5161-024	B - J311	WS3-5569-000	B - J104	WS3-5744-000	B - J2002
VT2-5161-026	B - J316	WS3-5569-000	B - J214	WS3-5744-000	B - J2012
VT2-5161-028	B - J322	WS3-5569-000	B - J218	WS3-5744-000	B - J2016
VT2-5161-032	B - J326	WS3-5569-000	B - J221	WS3-5815-000	B - J2001
VT2-5161-036	B - J1212	WS3-5569-000	B - J223	WS3-5815-000	B - J2002
VT2-5161-036	B - J2116	WS3-5569-000	B - J251	WS3-5815-000	B - J2020
VT2-5161-036	B - J2117	WS3-5569-000	B - J260	WS3-5815-000	B - J2024
VT2-5161-040	B - J31	WS3-5569-000	B - J261	WS3-5817-000	B - J2021
VT2-5161-040	B - J1210	WS3-5569-000	B - J281	WS3-5818-000	B - J2021
VT2-5161-040	B - J2119	WS3-5569-000	B - J282	WS3-5858-000	B - J312
WA7-2326-000	900 - 5	WS3-5569-000	B - J313	WS3-5858-000	B - J315
WA7-2383-000	900 - 7	WS3-5569-000	B - J324	WS3-5858-000	B - J323
WC2-5327-000	101 - 10	WS3-5569-000	B - J505	WS3-5858-000	B - J642
WE8-5184-000	110 -	WS3-5569-000	B - J643	WS3-5858-000	B - J782
WE8-6094-000	106 - 23	WS3-5569-000	B - J645	WS3-5858-000	B - J1504
WE8-6096-000	992 - 15	WS3-5569-000	B - J647	WS3-5858-000	B - J1505
WM2-5188-000	900 - 8	WS3-5569-000	B - J1202	WS3-5858-000	B - J2001
WS3-1105-000	B - J2126	WS3-5569-000	B - J2011	WS3-5858-000	B - J2002
WS3-1226-000	B - J5018	WS3-5569-000	B - J2023	WS3-5858-000	B - J2024
WS3-5016-000	B - J2121	WS3-5592-000	B - J702	WS3-5858-000	B - J2053
WS3-5160-000	B - J211	WS3-5592-000	B - J706	WS3-5858-000	B - J2055
WS3-5160-000	B - J212	WS3-5592-000	B - J2020	WS3-5858-000	B - J2133
WS3-5160-000	B - J250	WS3-5596-000	B - J2022	WS3-5859-000	B - J202
WS3-5160-000	B - J252	WS3-5596-000	B - J5006	WS3-5859-000	B - J203
WS3-5160-000	B - J255	WS3-5658-000	B - J253	WS3-5859-000	B - J225
WS3-5160-000	B - J1111	WS3-5680-000	B - J644	WS3-5859-000	B - J500
WS3-5160-000	B - J1201	WS3-5680-000	B - J1506	WS3-5859-000	B - J501
WS3-5174-000	B - J2009	WS3-5688-000	B - J201	WS3-5859-000	B - J640
WS3-5263-000	B - J5001	WS3-5719-000	B - J2023	WS3-5859-000	B - J705
WS3-5264-000	B - J5001	WS3-5719-000	B - J2057	WS3-5859-000	B - J2001
WS3-5301-000	B - J2013	WS3-5720-000	B - J2011	WS3-5859-000	B - J2002

NUMERICAL INDEX

iR C3100/C3100F/C3100i/C3100N

PARTS NUMBER	FIGURE & KEY NO.	PARTS NUMBER	FIGURE & KEY NO.	PARTS NUMBER	FIGURE & KEY NO
WS3-5859-000	B - J2012	XA9-1386-000	990 - 6	XB4-5300-809	640 - 505
WS3-5859-000	B - J2016	XA9-1386-000	991 - 4	XB4-5300-809	641 - 503
WS4-0217-000	B - J2010	XA9-1415-000	210 - 32	XB4-5300-809	642 - 503
WS4-0217-000	B - J2015	XA9-1433-000	261 - 19	XB4-5300-809	643 - 503
WS4-0217-000	B - J5019	XA9-1468-000	102 - 6	XB4-5301-007	102 - 501
WS4-0218-000	B - J2010	XA9-1494-000	780 - 15	XB4-5301-007	130 - 501
WS4-0218-000	B - J5002	XA9-1496-000	900 - 20	XB4-5301-007	535 - 501
WS4-0218-000	B - J5004	XB1-2300-402	640 - 502	XB4-5301-007	640 - 506
WS4-0218-000	B - J5005	XB1-2300-409	680 - 501	XB4-5301-007	641 - 504
WS4-0219-000	B - J2010	XB1-2300-607	104 - 501	XB4-5301-007	642 - 504
WS4-0220-000	B - J2010	XB1-2300-607	106 - 502	XB4-5301-007	643 - 504
WS4-0220-000	B - J5003	XB1-2300-607	210 - 506	XB4-5303-009	640 - 507
WT1-5155-000	B - J3	XB1-2300-607	780 - 501	XB4-5303-009	641 - 505
WT1-5155-000	B - J4	XB1-2300-609	641 - 502	XB4-5303-009	642 - 505
WT1-5155-000	B - J911	XB1-2300-609	642 - 502	XB4-5303-009	643 - 505
WT1-5208-000	B - J2087	XB1-2300-609	643 - 502	XB4-5400-807	100 - 501
WT2-5565-000	106 - 17	XB1-2300-807	310 - 501	XB4-5400-807	101 - 501
WT2-5565-000	110 - 11	XB1-2300-807	311 - 501	XB4-5400-807	104 - 506
WT2-5565-000	140 - 31	XB1-2400-603	106 - 503	XB4-5400-807	107 - 501
WT2-5565-000	210 - 43	XB1-2400-603	110 - 504	XB4-5400-807	145 - 501
WT2-5565-000	315 - 18	XB1-2400-607	102 - 502	XB4-5400-807	310 - 504
WT2-5565-000	990 - 4	XB1-2400-607	310 - 508	XB4-5400-807	311 - 504
WT8-5076-000	990 - 2	XB1-2400-607	311 - 508	XB4-5400-807	350 - 501
X62-5133-000	B - J2122	XB1-2400-609	210 - 501	XB4-5400-809	140 - 503
X65-5854-000	B - J2122	XB1-2400-807	810 - 501	XB4-5401-007	140 - 501
XA9-0265-000	106 - 18	XB1-2401-407	102 - 503	XB4-5401-007	141 - 501
XA9-0265-000	106 - 18	XB1-2402-007	104 - 505	XB4-5401-007	190 - 501
XA9-0656-000	311 - 61	XB1-2402-007	110 - 501	XB4-5401-007	315 - 501
XA9-0882-000	810 - 42	XB1-2403-007	900 - 501	XB4-5401-207	310 - 505
XA9-0962-000	310 - 61	XB1-2500-603	110 - 502	XB4-5401-207	311 - 505
XA9-1386-000	100 - 29	XB1-3300-607	310 - 502	XB4-5402-209	190 - 502
XA9-1386-000	101 - 21	XB1-3300-607	311 - 502	XB6-2400-609	105 - 501
XA9-1386-000	102 - 14	XB2-8300-607	300 - 501	XB6-7300-407	210 - 508
XA9-1386-000	103 - 16	XB2-8300-607	301 - 501	XB6-7300-607	102 - 504
XA9-1386-000	104 - 14	XB2-8300-607	640 - 503	XB6-7300-607	106 - 501
XA9-1386-000	105 - 11	XB2-8300-806	810 - 508	XB6-7300-607	110 - 505
XA9-1386-000	106 - 6	XB2-8300-807	210 - 502	XB6-7300-607	130 - 502
XA9-1386-000	107 - 14	XB2-8300-807	810 - 502	XB6-7300-607	210 - 503
XA9-1386-000	110 - 2	XB2-8301-209	810 - 503	XB6-7300-607	250 - 501
XA9-1386-000	210 - 31	XB2-8400-807	210 - 507	XB6-7300-607	630 - 501
XA9-1386-000	260 - 4	XB3-6300-600	310 - 503	XB6-7300-607	900 - 502
XA9-1386-000	261 - 18	XB3-6300-600	311 - 503	XB6-7300-607	911 - 501
XA9-1386-000	310 - 62	XB4-5300-807	300 - 502	XB6-7300-607	930 - 501
XA9-1386-000	911 - 3	XB4-5300-807	301 - 502	XB6-7300-607	980 - 501

NUMERICAL INDEX

iR C3100/C3100F/C3100i/C3100N

PARTS NUMBER	FIGURE & KEY NO.	PARTS NUMBER	FIGURE & KEY NO.	PARTS NUMBER	FIGURE & KEY NO.
XB6-7300-607	990 - 501	XD2-1100-642	642 - 509		
XB6-7300-607	992 - 501	XD2-1100-642	643 - 509		
XB6-7300-807	101 - 502	XD2-1100-642	810 - 507		
XB6-7300-807	300 - 503	XD2-2100-602	640 - 501		
XB6-7300-807	301 - 503	XD2-2100-802	641 - 501		
XB6-7301-407	900 - 503	XD2-2100-802	642 - 501		
XB6-7500-807	210 - 504	XD2-2100-802	643 - 501		
XD1-1104-135	300 - 504	XD3-1300-122	680 - 502		
XD1-1104-135	301 - 504	XD3-2160-162	104 - 503		
XD1-1105-235	900 - 504	XD3-2160-162	140 - 505		
XD1-1106-219	535 - 28	XD3-2200-102	140 - 504		
XD1-1108-215	640 - 508	XD3-2200-122	310 - 507		
XD1-1108-215	641 - 506	XD3-2200-122	311 - 507		
XD1-1108-215	642 - 506	XD3-2200-162	350 - 503		
XD1-1108-215	643 - 506	XD3-2200-162	535 - 504		
XD1-1108-218	640 - 509	XD3-2250-142	104 - 504		
XD1-1108-218	641 - 507	XF2-4112-240	140 - 32		
XD1-1108-218	642 - 507	XF2-4606-740	210 - 50		
XD1-1108-218	643 - 507	XF9-0743-000	210 - 33		
XD1-4200-402	106 - 504	XG9-0111-000	640 - 15		
XD1-4200-402	110 - 506	XG9-0111-000	641 - 28		
XD1-4200-502	110 - 503	XG9-0111-000	642 - 28		
XD2-1100-242	810 - 505	XG9-0111-000	643 - 28		
XD2-1100-322	101 - 503	XG9-0428-000	810 - 43		
XD2-1100-322	810 - 504	XG9-0491-000	640 - 27		
XD2-1100-422	140 - 502	XG9-0491-000	641 - 29		
XD2-1100-502	210 - 505	XG9-0491-000	642 - 29		
XD2-1100-502	310 - 506	XG9-0491-000	643 - 29		
XD2-1100-502	311 - 506	XG9-0495-000	640 - 28		
XD2-1100-502	350 - 502	XG9-0495-000	641 - 14		
XD2-1100-502	535 - 502	XG9-0495-000	642 - 14		
XD2-1100-502	640 - 510	XG9-0495-000	643 - 14		
XD2-1100-502	641 - 508	XG9-0497-000	141 - 21		
XD2-1100-502	642 - 508	XG9-0511-000	535 - 25		
XD2-1100-502	643 - 508	XG9-0522-000	810 - 44		
XD2-1100-502	780 - 502	XH9-0125-000	102 - 5		
XD2-1100-502	810 - 506	XZ9-0421-000	101 - 16		
XD2-1100-642	103 - 501				
XD2-1100-642	104 - 502				
XD2-1100-642	261 - 501				
XD2-1100-642	535 - 503				
XD2-1100-642	630 - 502				
XD2-1100-642	640 - 504				
XD2-1100-642	641 - 509				

iR C3100/C3100F/C3100i/C3100N

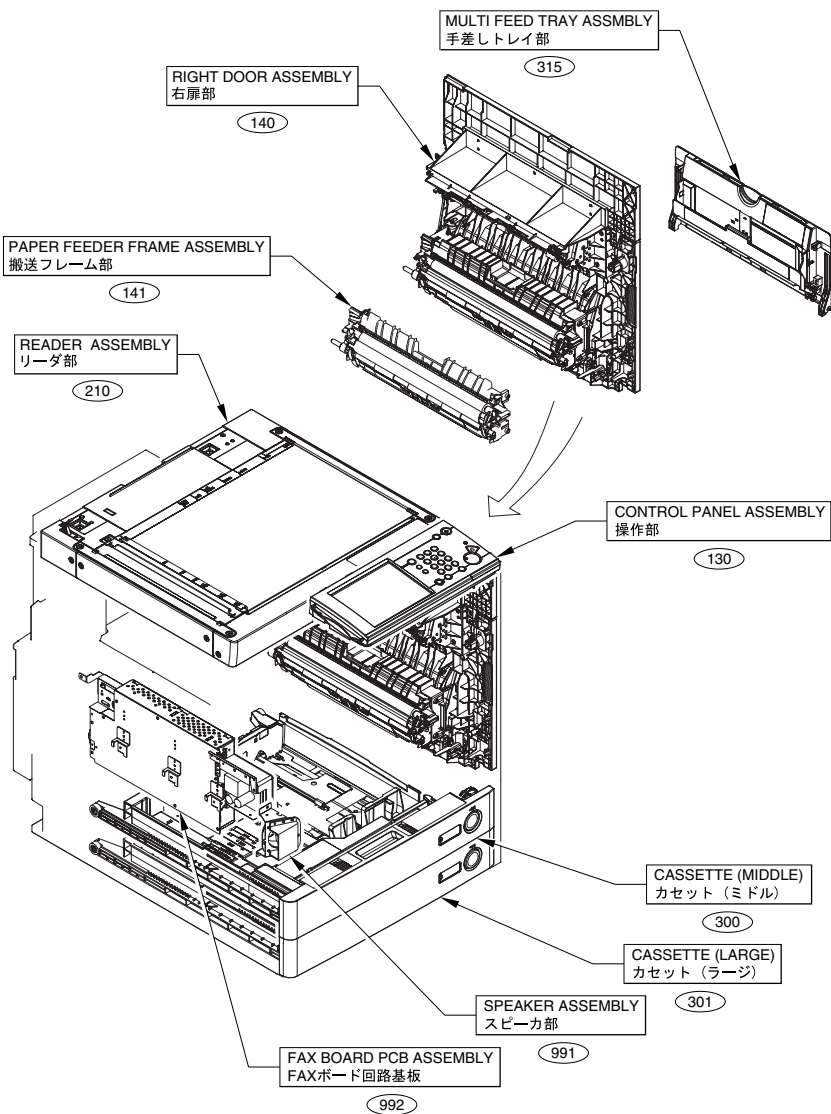
120V 60Hz	F14-3001-000---
100V 50/60Hz	F14-3011-000JEJ00001-
100V 50/60Hz	F14-3012-000JEK00001-
100V 50/60Hz	F14-3014-000JEM00001-
100V 50/60Hz	F14-3015-000JEP00001-
100V 50/60Hz	F14-3019-000JDT00001-
100V 50/60Hz	F14-3029-000JDU00001-
120V 60Hz	F14-3031-000JGX00001-
220V 50Hz	F14-3041-000JGZ00001-
220V 50Hz	F14-3044-000JHD00001-
220V 50Hz	F14-3048-000JJP00001-
100V 50/60Hz	F14-3049-000JEL00001-
100V 50/60Hz	F14-3059-000JEN00001-
240V 50Hz	F14-3060-000---
240V 50Hz	F14-3061-000JHB00001-
240V 50Hz	F14-3068-000JJQ00001-
220V 60Hz	F14-3070-000---
220V 50Hz	F14-3078-000JJN00001-
220V 50Hz	F14-3091-000JGY00001-
220V 50Hz	F14-3094-000JHC00001-

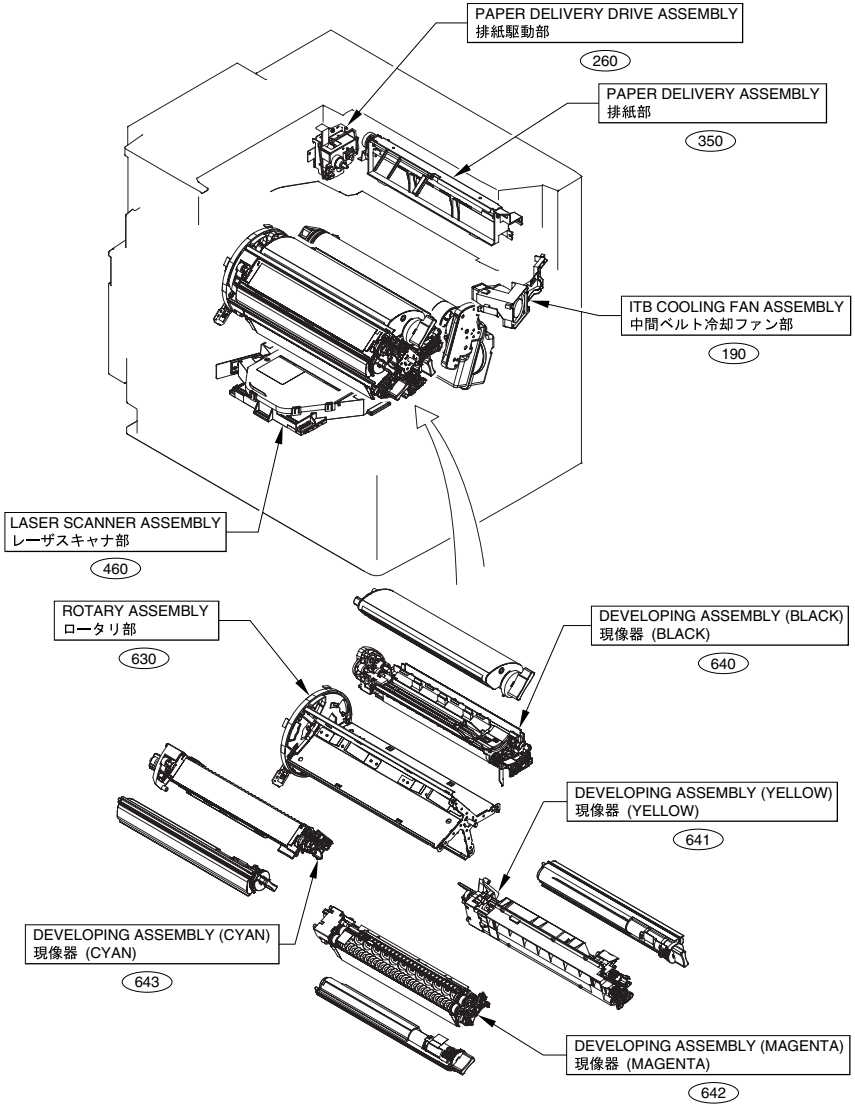
Contents

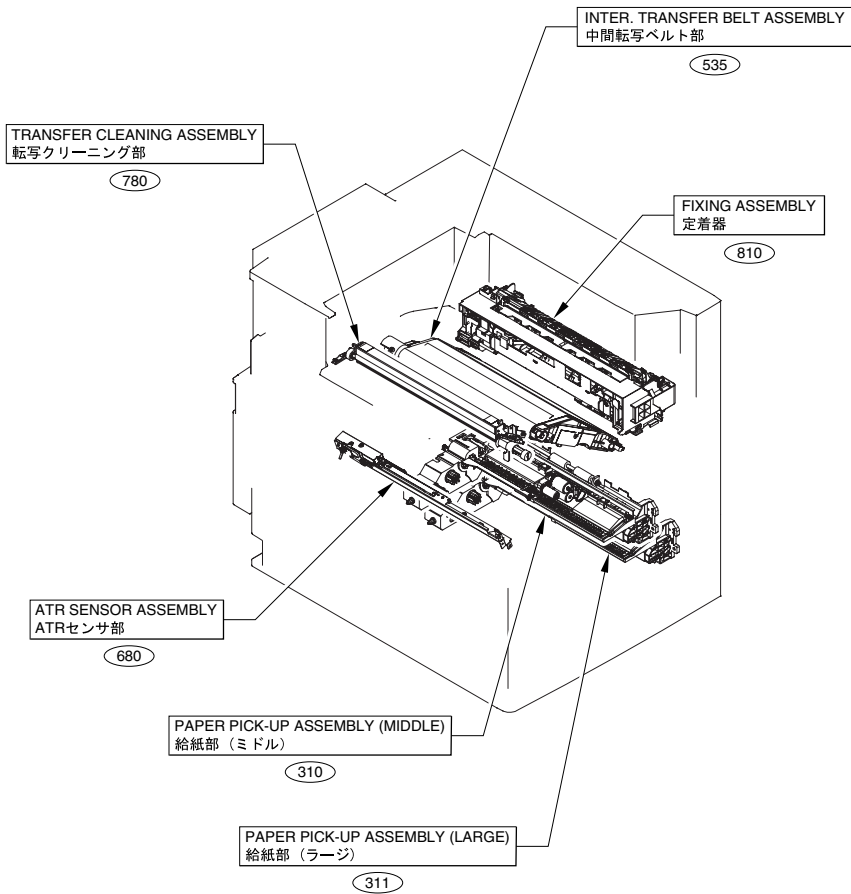
A	ASSEMBLY LOCATION DIAGRAM	2-1
001	ACCESSORIES	2-9
100	EXTERNAL COVERS, PANELS, ETC.	2-10
101	MACHINE FRONT PANEL	2-13
102	INTERNAL COMPONENTS 1	2-16
103	INTERNAL COMPONENTS 2	2-19
104	INTERNAL COMPONENTS 3	2-21
105	INTERNAL COMPONENTS 4	2-24
106	MACHINE REAR PLATE 1	2-26
107	MACHINE REAR PLATE 2	2-28
110	POWER CORD TERMINAL ASSEMBLY	2-30
130	CONTROL PANEL ASSEMBLY	2-32
140	RIGHT DOOR ASSEMBLY	2-34
141	PAPER FEEDER FRAME ASSEMBLY	2-39
145	RIGHT LOWER DOOR ASSEMBLY	2-41
190	ITB COOLING FAN ASSEMBLY	2-42
210	READER ASSEMBLY	2-43
250	MAIN DRIVE ASSEMBLY	2-48
260	PAPER DELIVERY DRIVE ASSEMBLY	2-49
261	MULTI DRIVE ASSEMBLY	2-50
300	CASSETTE (MIDDLE)	2-52
301	CASSETTE (LARGE)	2-55
310	PAPER PICK-UP ASSEMBLY (MIDDLE)	2-58
311	PAPER PICK-UP ASSEMBLY (LARGE)	2-62
315	MULTI FEED TRAY ASSEMBLY	2-66
350	PAPER DELIVERY ASSEMBLY	2-68
460	LASER SCANNER ASSEMBLY	2-70
535	TRANSFER BELT FRAME ASSEMBLY	2-71
630	ROTARY ASSEMBLY	2-74
640	DEVELOPING ASSEMBLY (BLACK)	2-76
641	DEVELOPING ASSEMBLY (YELLOW)	2-79
642	DEVELOPING ASSEMBLY (MAGENTA)	2-82
643	DEVELOPING ASSEMBLY (CYAN)	2-85
680	ATR SENSOR ASSEMBLY	2-88
780	TRANSFER CLEANING ASSEMBLY	2-89
810	FIXING ASSEMBLY	2-91
900	CONTROLLER BOX ASSEMBLY	2-96
910	MAIN POWER SUPPLY PCB ASSEMBLY	2-98
911	MAIN CONTROLLER POWER SUPPLY ASSEMBLY	2-99
930	DC CONTROLLER PCB ASSEMBLY	2-100
931	READER CONTROLLER PCB ASSEMBLY	2-101
980	H.V.TRANSFORMER PCB ASSEMBLY	2-102
990	FAX ASSEMBLY	2-103
991	SPEAKER ASSEMBLY	2-105
992	FAX BOARD PCB ASSEMBLY	2-106

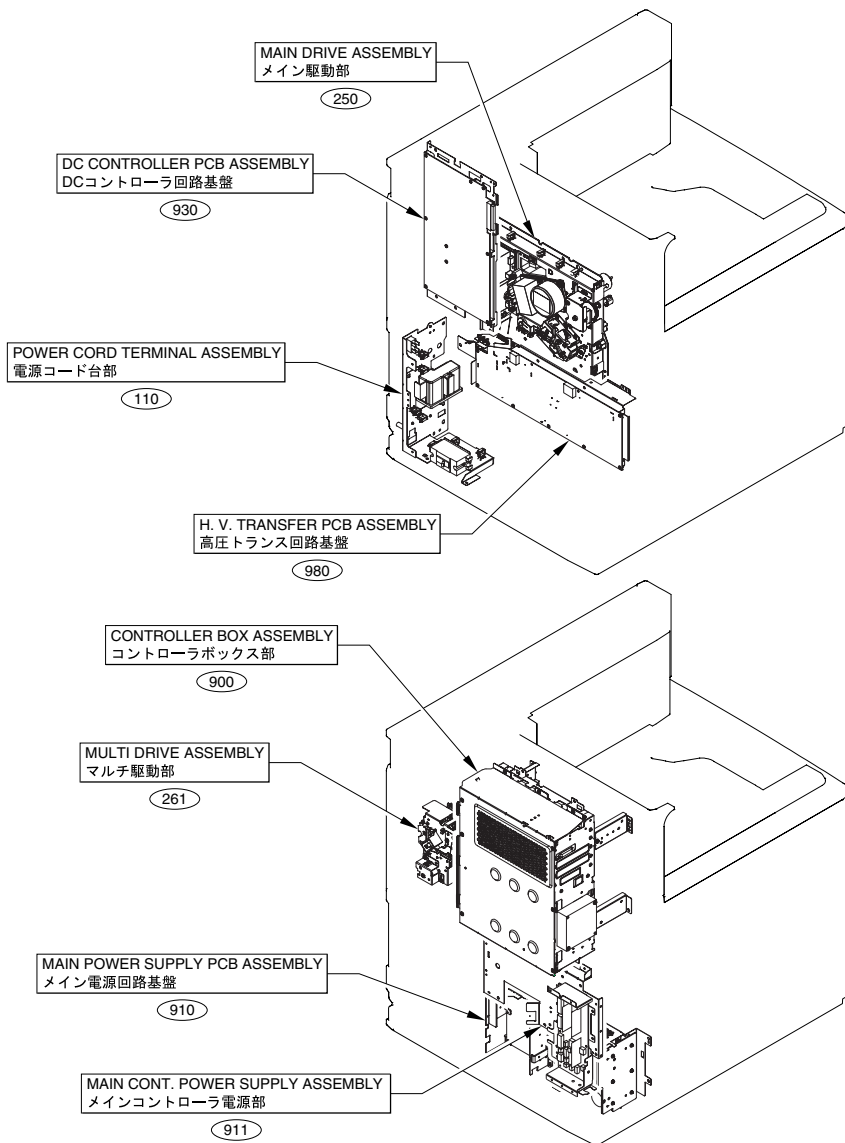
B	LIST OF CONNECTORS.....	2-108
---	-------------------------	-------

FIGURE A ASSEMBLY LOCATION DIAGRAM

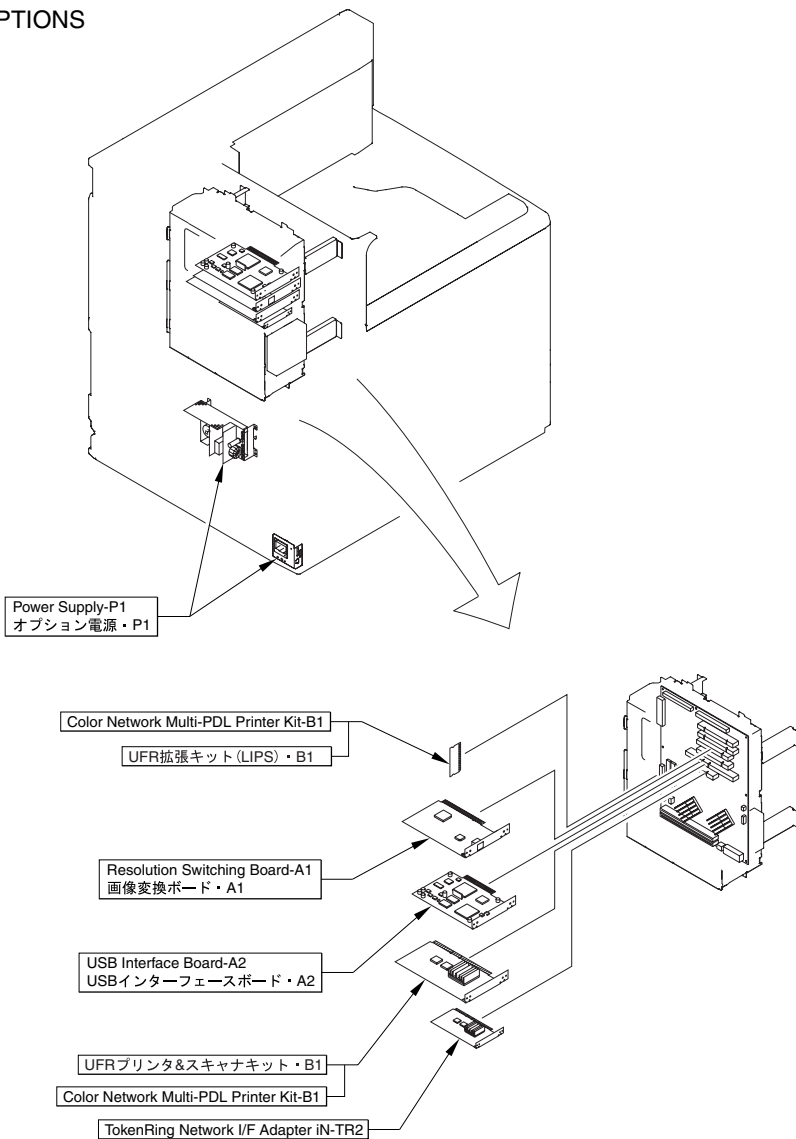




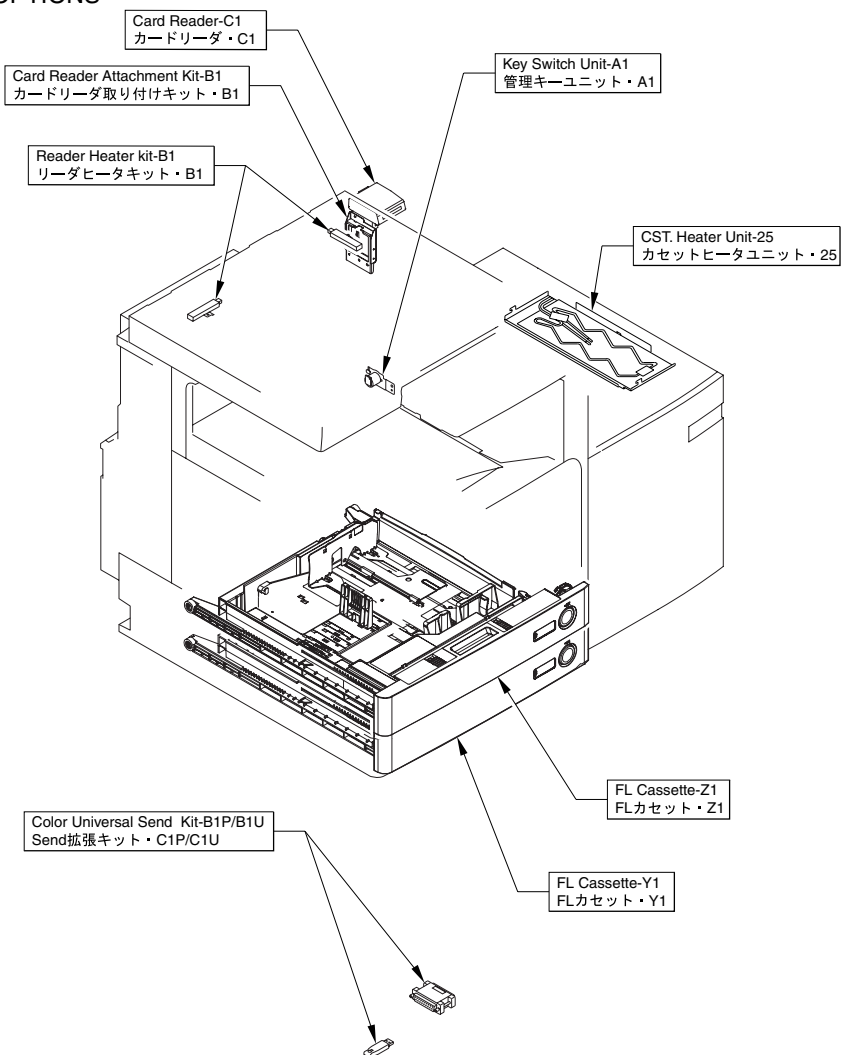




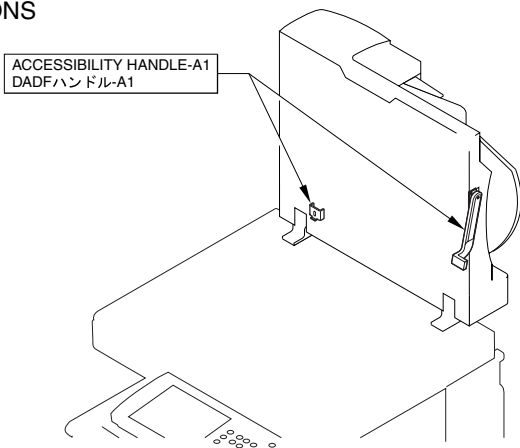
OPTIONS



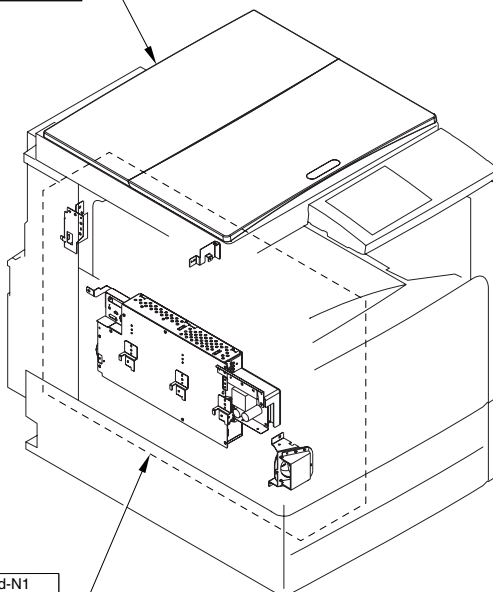
OPTIONS



OPTIONS



Platen Cover Type H
原稿カバータイプH



OPTIONS

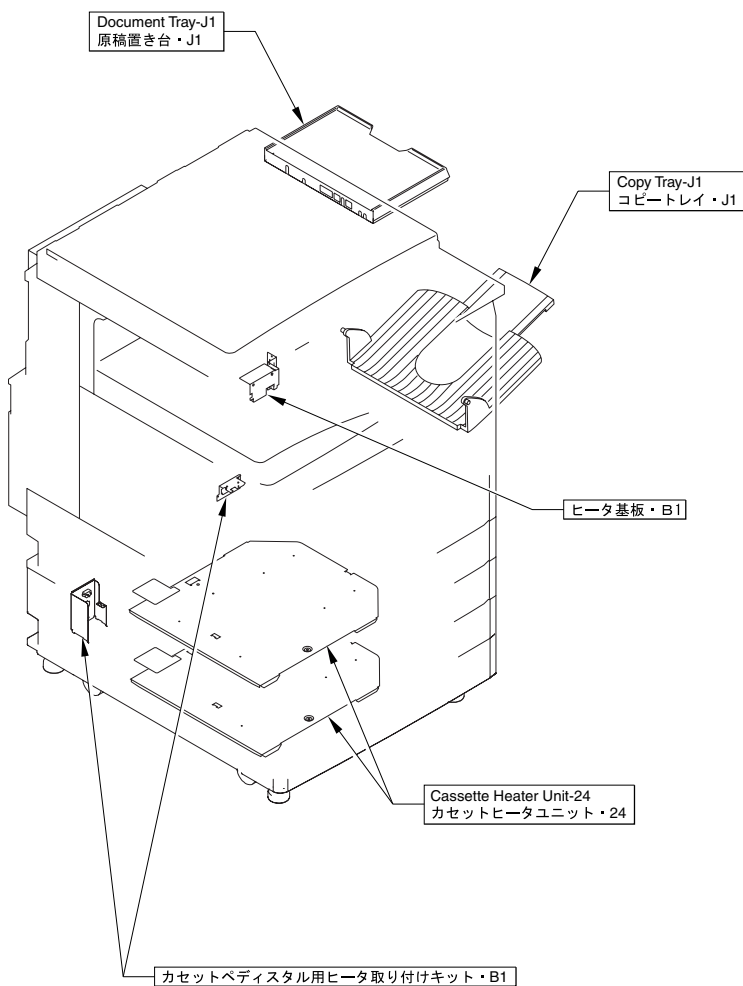


FIGURE 001 ACCESSORIES

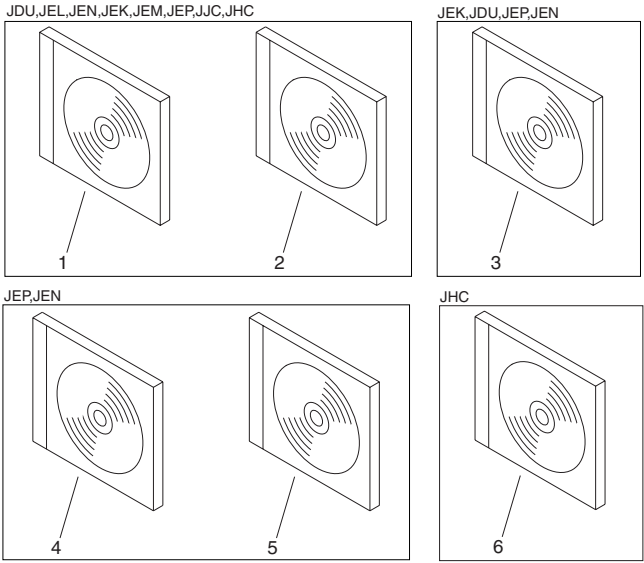


FIGURE & KEY NO.	PARTS NUMBER	RANK	Q'TY	DESCRIPTION	SERIAL NUMBER/REMARKS	SVC
Fig.001	NPN		RF	ACCESSORIES		
1	FH5-3468-000		1	CD-ROM, UFR USER SOFTWARE	JDU,JEL,JEN	
1	FH5-3469-000		1	CD-ROM, UFR SOFTWARE	JEK,JEM,JEP	
2	FH5-3470-000		1	CD-ROM,COLOR NETWORK SCAN GEAR	JDU,JEL,JEN	
2	FH5-3471-000		1	CD-ROM, NETWORK SCAN GEAR	JEK,JEM,JEP	
3	FH5-3472-000		1	CD-ROM, FAX SOFTWARE	JEK,JDU,JEP,JEN	
4	FH5-3474-000		1	CD-ROM, IV USER SOFTWARE	JEN ONLY	
4	FH5-3475-000		1	CD-ROM, IV USER SOFTWARE	JEP ONLY	
5	FH5-3476-000		1	CD-ROM, NETSPOT DOWN-LOADER	JEN ONLY	
5	FH5-3477-000		1	CD-ROM, NETSPOT DOWN-LOADER	JEP ONLY	

FIGURE 100 EXTERNAL COVERS, PANELS, ETC.

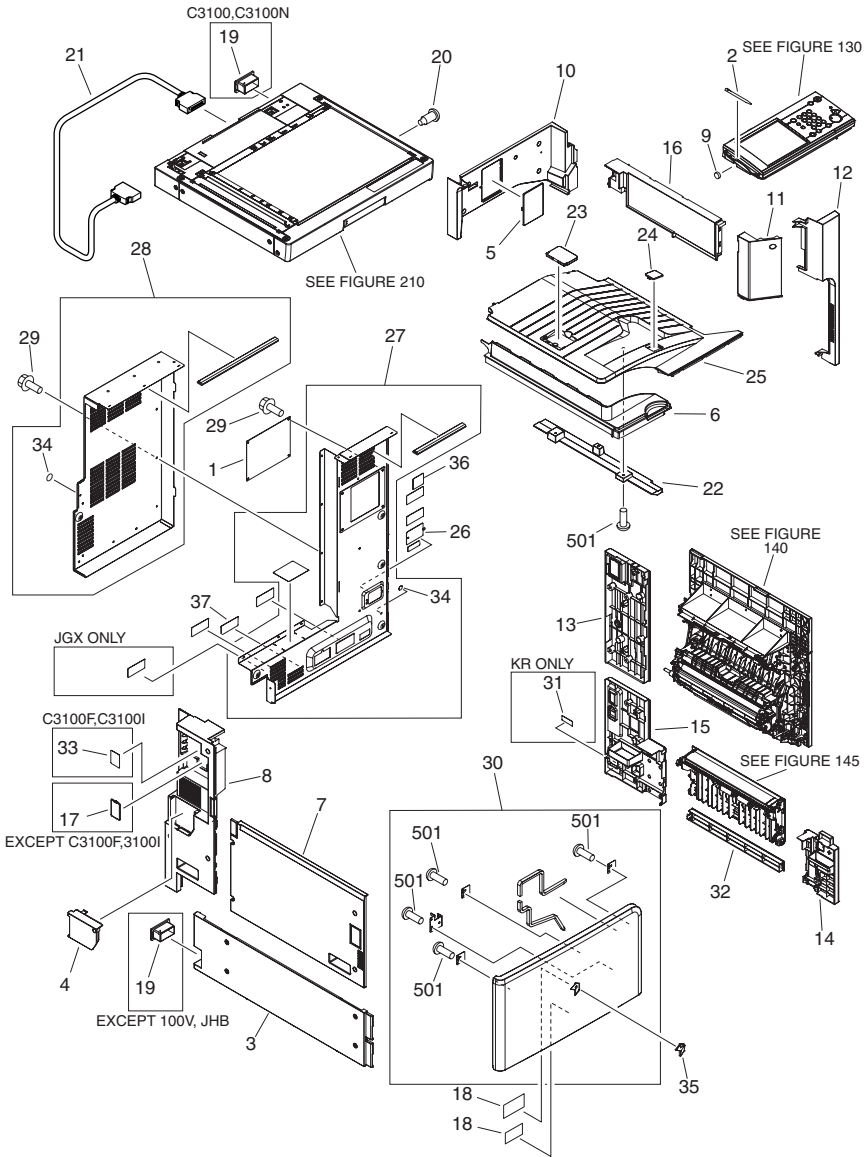


FIGURE & KEY NO.	PARTS NUMBER	RANK	Q'TY	DESCRIPTION	SERIAL NUMBER/REMARKS	SVC
Fig.100	NPN		RF	EXTERNAL COVERS, PANELS, ETC.		
1	FC5-6912-000		1	COVER, BLANKING, REAR		
2	FB6-3950-000		1	PEN, TOUCH PANEL		
3	FC5-0576-000		1	PANEL, LEFT		
4	FC5-0809-000		1	COVER, LEFT, REAR		
5	FC5-0889-000		1	COVER, BLANKING		
6	FL2-1460-000		1	PANEL, INTERNAL PAPER DELIVERY		
7	FC5-0936-000		1	PANEL, LEFT, MIDDLE		
8	FC5-0937-000		1	PANEL, LEFT, REAR		
9	FA9-3988-000		1	BUBBER, COVER		
10	FC5-0942-000		1	PANEL, INNER, REAR		
11	FC5-0943-000		1	PANEL, INNER, RIGHT		
12	FC5-0944-000		1	PANEL, RIGHT, FRONT UPPER		
13	FC5-0946-000		1	PANEL, RIGHT, REAR		
14	FC5-0953-000		1	PANEL, RIGHT, FRONT LOWER		
15	FC5-0955-000		1	PANEL, RIGHT, REAR LOWER		
16	FC5-0956-000		1	PANEL, INNER, RIGHT MIDDLE		
17	FC5-5462-000		1	COVER, CONNECTOR	C3100,C3100N	
18	FL2-0159-000		1	LABEL, SERVICE		
19	FH2-6552-000		1	COVER, CONNECTOR	C3100,C3100N	
19	FH2-6552-000		1	COVER, CONNECTOR	EXCEPT 100V JHB	
20	FS5-9282-000		1	SCREW,STEPED		
21	FH2-7036-000		1	CABLE, DDI-S SERIAL		
22	FC5-0808-000		1	PLATE, UPPER BLOCKING		
23	FC5-0812-000		1	STOPPER, PUSHING		
24	FC5-0957-000		1	CAP, INTERNAL PAPER DELIVERY		
25	FC5-1107-000		1	PANEL, INTERNAL PAPER DELIVERY		
26	FC5-1111-000		1	COVER, OUTLET		
27	FL2-0211-000		1	PANEL, REAR, 1		
28	FL2-0212-000		1	PANEL, REAR, 2		
29	XA9-1386-000		9	SCREW,RS,M3X8		
30	FM2-0224-000		1	PANEL, FRONT	C3100 EXCEPT JGY,JGX	

FIGURE & KEY NO.	PARTS NUMBER	RANK	Q'TY	DESCRIPTION	SERIAL NUMBER/REMARKS	SVC
30	FM2-1564-000		1	PANEL, FRONT	C3100I	
30	FM2-1565-000		1	PANEL, FRONT	C3100N EXCEPT JHC	
30	FM2-1566-000		1	PANEL, FRONT	C3100F	
30	FM2-1741-000		1	PANEL, FRONT	JGX	
30	FM2-1742-000		1	PANEL, FRONT	JGY	
30	FM2-1743-000		1	PANEL, FRONT	JHC	
31	FU5-8021-000		1	LABEL, GROUNDING CAUTION	KR	
32	FC5-0954-000		1	PANEL, RIGHT, LOWER		
33	FU5-8019-000		1	LABEL, FAX CONNECTOR	C3100F,C3100I	
34	FC5-0166-000		2	SEAL, BLANKING		
35	FC5-0459-000		1	EMBLEM, IMAGERUNNER		
36	ME1-0059-000		1	LABEL, NOISE / CLASS B, CANADA		
37	FS8-8194-000		1	LABEL, 'WARNING CONNECTOR'		
501	XB4-5400-807		AR	SCREW,P,M4X8		

FIGURE & KEY NO.	PARTS NUMBER	RANK	Q'TY	DESCRIPTION	SERIAL NUMBER/REMARKS	SVC
Fig.101	NPN		RF	MACHINE FRONT PLATE		
1	VS1-6319-018		1	CONNECTOR, SNAP TIGHT	J2026	
2	FH7-7312-000		3	PHOTO-INTERRUPTER	PS18,22,27 J2029,2028,2150	
3	VS1-5057-003		1	CONNECTOR, SNAP TIGHT	J2118	
4	FC5-0207-000		1	LINK, SHUTTER		
5	FG3-2374-000		1	WASTE TONER SENSOR PCB ASS'Y		
6	FG3-2375-000		1	WASTE TONER SENSOR PCB ASS'Y		
7	FC5-1186-000		1	GUIDE, SIDE LINK SHAFT		
8	FG3-3198-000		1	CABLE, WASTE TONER DETECT	J2031,2032,2123,2150	
9	VS1-5057-008		1	CONNECTOR, SNAP TIGHT	J2123	
10	WC2-5327-000		1	SWITCH,KNOB	SW3	
11	FU5-8012-000		1	LABEL, LASER CAUTION	100/120V	
11	FU5-8013-000		1	LABEL, LASER CAUTION	220/240V	
11	FU5-8022-000		1	LABEL, LASER CAUTION	220/240V	
12	FL2-0203-000		2	PIN, POSITIONING		
13	FC5-0941-000		1	COVER, INNER, 2		
14	FG3-3202-000		1	CABLE, DOOR SWITCH	J2002	
15	FC5-5498-000		1	HOLDER, WASTE TONER BOTTLE		
16	XZ9-0421-000		3	CATCH, MAGNET		
17	FM2-0086-000		1	W. TONER REMNANT DETECT ASS'Y		
18	FU5-2070-000		1	SPRING, COMPRESSION		
19	FU5-2069-000		1	SPRING, TENSION		
20	FL2-0208-000		1	COVER, INNER, MIDDLE		
21	XA9-1386-000		24	SCREW,RS,M3X8		
22	FS6-8992-000		1	LABEL, TONER	JGX ONLY	
23	FM2-0083-000		1	WASTE TONER ASSEMBLY		
24	FU5-8015-000		1	LABEL, TONER EXCHANGE CAUTION		
25	FC5-0940-000		1	COVER, INNER, 1		
26	FC5-0449-000		1	SLIDER, VERTICAL		
27	FC5-0450-000		2	LINK, SLIDER		
28	FC5-0451-000		1	SLIDER, SPRING, LOWER		
29	FC5-0452-000		1	SLIDER, SPRING, UPPER		

FIGURE & KEY NO.	PARTS NUMBER	R A N K	Q'TY	DESCRIPTION	SERIAL NUMBER/ REMARKS	S V C
30	FC5-0455-000		1	GUIDE, SLIDER		
31	FC5-0456-000		3	SHAFT, DOOR SWITCH		
32	FB3-2224-000		2	PIN, HINGE		
33	FU5-0019-000		1	GEAR, BEVEL, 20T/GEAR, 32T		
34	FU5-0020-000		1	GEAR, BEVEL, 20T/GEAR, 16T		
501	XB4-5400-807		AR	SCREW,P,M4X8		
502	XB6-7300-807		AR	SCREW,TP,M3X8		
503	XD2-1100-322		AR	RING,E		

FIGURE 102 INTERNAL COMPONENTS 1

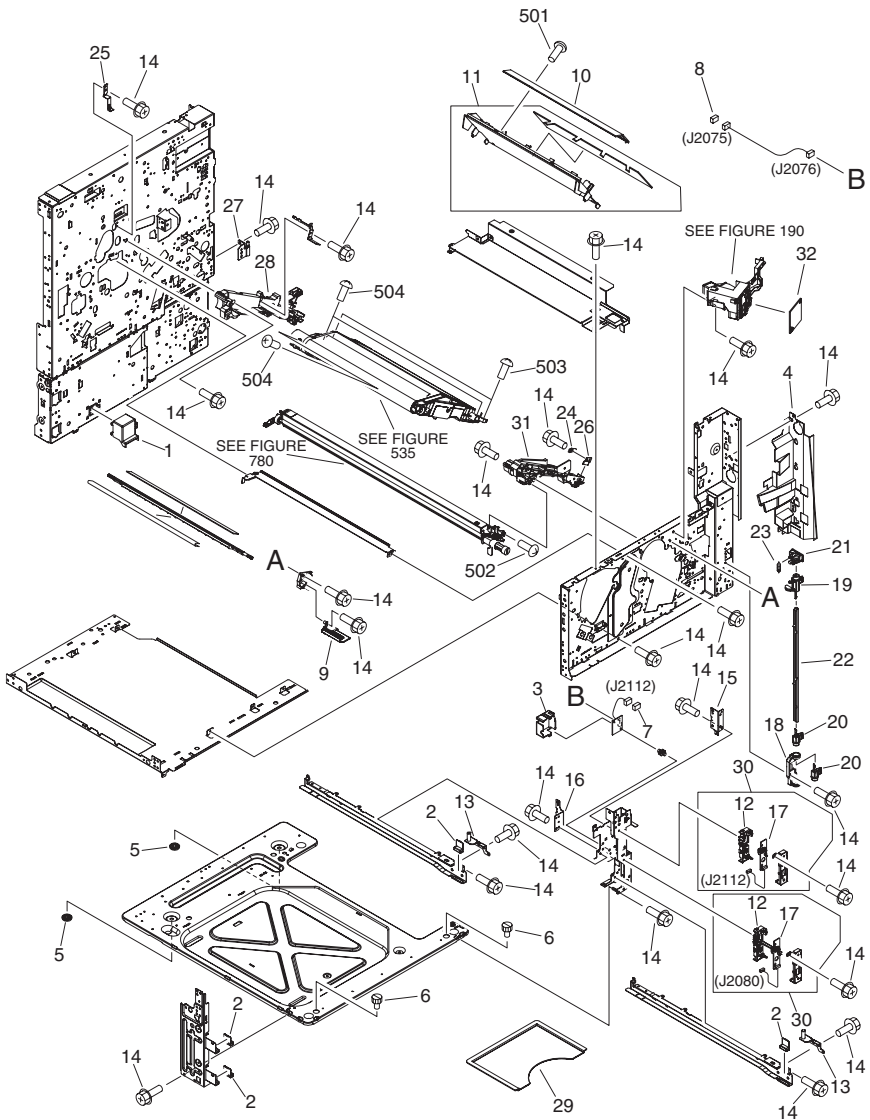


FIGURE & KEY NO.	PARTS NUMBER	RANK	Q'TY	DESCRIPTION	SERIAL NUMBER/REMARKS	SVC
Fig.102	NPN		RF	INTERNAL COMPONENTS 1		
1	FB3-3192-020		1	COVER, HEATER CONNECTOR		
2	FB6-3507-000		4	BLOCK, SWING		
3	FC5-0641-000		1	COVER, PCB		
4	FC5-0879-000		1	COVER, INNER, RIGHT		
5	XH9-0125-000		2	FOOT, RUBBER		
6	XA9-1468-000		2	SCREW, KNURLED, M6X10		
7	VS1-5057-006		1	CONNECTOR, SNAP TIGHT	J2112	
8	VS1-6318-007		1	CONNECTOR, SNAP TIGHT	J2075	
9	FC5-0437-000		1	LEVER, RELEASE		
10	FC5-0358-000		1	DUCT, INTER. TRANSFER BELT, 2		
11	FL2-0075-000		1	DUCT, INTER. TRANSFER BELT, 1		
12	FC5-1420-000		2	HOLDER, SIZE DETECT		
13	FL2-0116-000		2	PIN, SIDE REGIST. POSITIONING		
14	XA9-1386-000		61	SCREW,RS,M3X8		
15	FC5-0567-000		1	PLATE, PICK-UP ASS'Y MOUNT, U		
16	FC5-0568-000		1	PLATE, PICK-UP ASS'Y MOUNT, L		
17	FG3-2798-000		2	SIZE SENSOR PCB ASSEMBLY	J2080,2112	
18	FC5-0673-000		1	SUPPORT, HOOK POSITIONING		
19	FC5-0686-000		1	HOOK, RIGHT DOOR, UPPER		
20	FC5-0687-000		2	HOOK, RIGHT DOOR, LOWER		
21	FC5-0688-000		1	BUSHING		
22	FC5-0689-000		1	SHAFT, HOOK		
23	FU5-2064-000		1	SPRING, TENSION		
24	FC5-6566-000		1	COVER, CONTACT PROTECTIVE		
25	FC5-0365-000		1	PLATE, ROLLER STATIC CHARGE		
26	FC5-0364-000		1	PLATE, ROLLER STATIC CHARGE		
27	FC5-0672-000		1	HINGE, RIGHT DOOR, LOWER		
28	FC5-0347-000		1	SUPPORT, I.T.B. FRAME, REAR		
29	FC5-1146-000		1	HOLDER, SERVICE BOOK		
30	FM2-0305-000		2	CASSETTE SIZE SENSOR ASSEMBLY		
31	FC5-0346-000		1	SUPPORT, I.T.B. FRAME, FRONT		

FIGURE & KEY NO.	PARTS NUMBER	R A N K	Q'TY	DESCRIPTION	SERIAL NUMBER/ REMARKS	S V C
32	FB5-6264-000		1	FILTER, DUST-PROOF		
501	XB4-5301-007		AR	SCREW,P,M3X10		
502	XB1-2400-607		AR	SCREW,MACH.,TRUSS HEAD,M4X6		
503	XB1-2401-407		AR	SCREW,MACH.,TRUSS HEAD,M4X14		
504	XB6-7300-607		AR	SCREW,TP,M3X6		

FIGURE 103 INTERNAL COMPONENTS 2

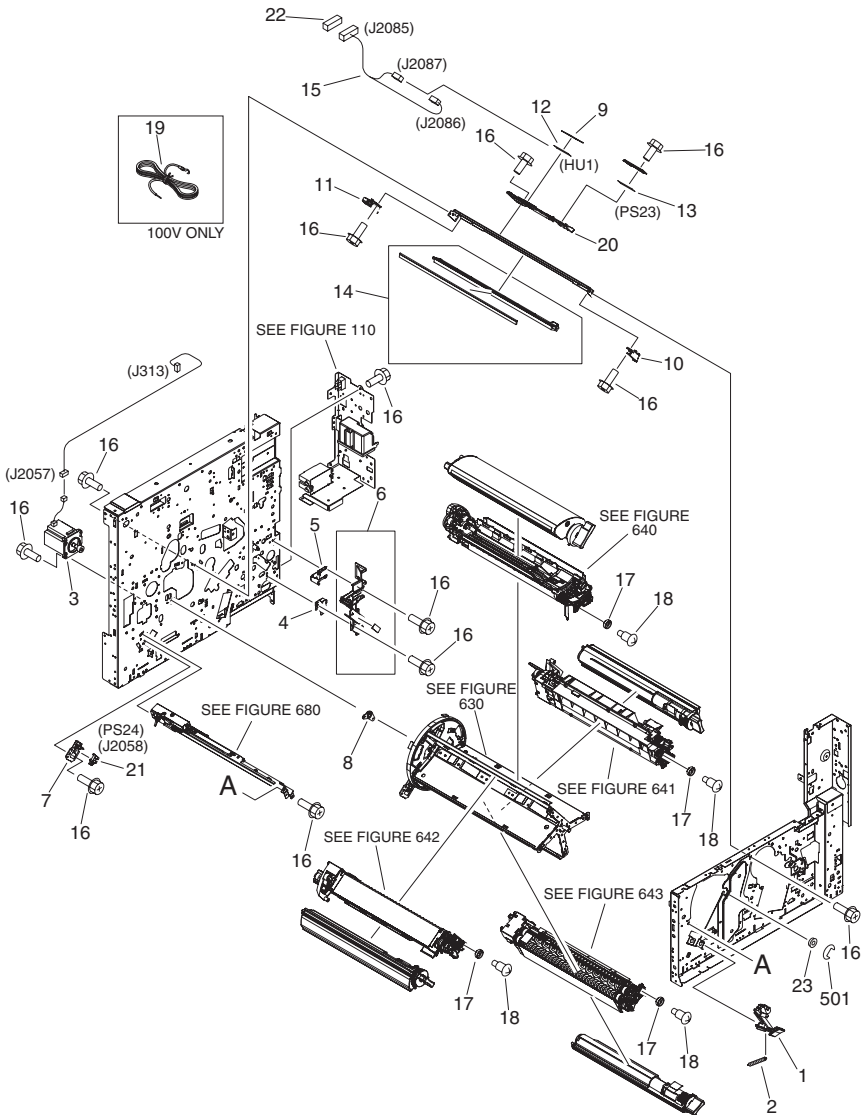


FIGURE & KEY NO.	PARTS NUMBER	R A N K	Q'TY	DESCRIPTION	SERIAL NUMBER/ REMARKS	S V C
Fig.103	NPN		RF	INTERNAL COMPONENTS 2		
1	FC5-0305-000		1	ARM, ROTARY LOCK		
2	FC5-0306-000		1	SPRING, TENSION		
3	FM2-0080-000		1	MOTOR, STEPPING, DC		
4	FC5-0523-000		1	SPRING, GROUNDING		
5	FC5-0854-000		1	PLATE, TRANSFER STATIC CHARGE		
6	FL2-0219-000		1	COVER, RIGHT DOOR CONNECTOR		
7	FC5-0303-000		1	MOUNT, HOME POSITION SENSOR		
8	FC5-0320-000		1	BUSHING		
9	FC5-0723-000		1	COVER, ENVIRONMENT SENSOR		
10	FC5-6555-000		1	RAIL, ROTARY UPPER COVER, F.		
11	FC5-6556-000		1	RAIL, ROTARY UPPER COVER, R.		
12	FH7-7620-000		1	HYGROMETER SENSOR UNIT	HU1 J2087	
13	FH7-7629-000		1	PHOTO-SENSOR UNIT	PS23 J2086	
14	FL2-0230-000		1	COVER, ROTARY UPPER		
15	FG3-3181-000		1	CABLE, PATCH/ENV. SENSOR	J2085,J2086,2087	
16	XA9-1386-000		20	SCREW,RS,M3X8		
17	FC5-5491-000		4	ROLLER, DEVELOPING CONTAINER		
18	FS1-9003-000		4	SCREW,STEPPED,M4		
19	FH2-7061-000		1	CORD, GROUNDING	100V ONLY	
20	FC5-0973-000		1	COVER, PATCH		
21	FH7-7312-000		1	PHOTO-INTERRUPTER	PS24 J2058	
22	VS1-6318-010		1	CONNECTOR, SNAP TIGHT	J2085	
23	FA9-2112-000		1	BUSHING		
501	XD2-1100-642		AR	RING,E		

FIGURE 104
INTERNAL COMPONENTS 3

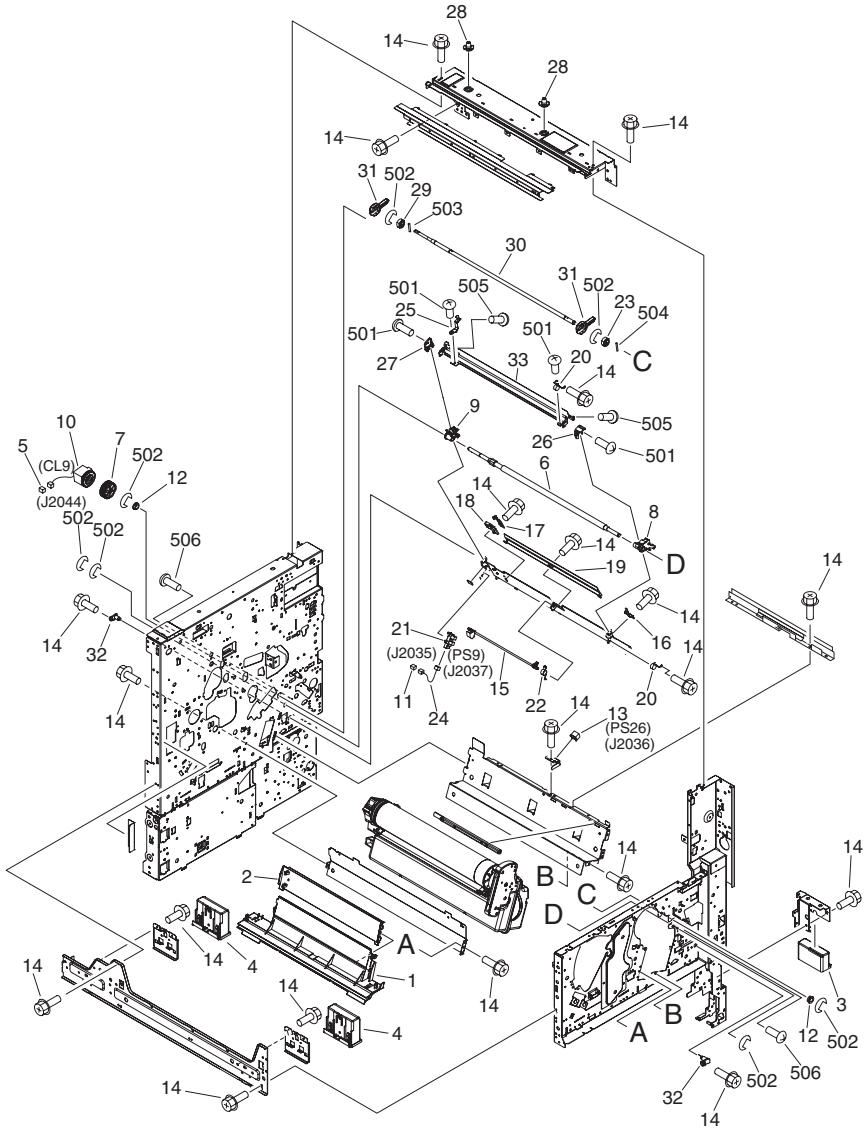


FIGURE & KEY NO.	PARTS NUMBER	R A N K	Q'TY	DESCRIPTION	SERIAL NUMBER/ REMARKS	S V C
Fig.104	NPN		RF	INTERNAL COMPONENTS 3		
1	FC5-0214-000		1	HOOD, SCANNER, 1		
2	FC5-0215-000		1	HOOD, SCANNER, 2		
3	FC5-0958-000		1	GRIP, RIGHT FRONT		
4	FC5-0959-000		2	GRIP, LEFT		
5	VS1-5057-002		1	CONNECTOR, SNAP TIGHT	J2044	
6	FL2-0104-000		1	ROLLER, REGISTRATION HARD		
7	FU5-0027-000		1	GEAR, 38T		
8	FU5-1010-000		1	BUSHING		
9	FU5-1011-000		1	BUSHING		
10	RH7-5168-000		1	CLUTCH, ELECTROMAGNETIC	CL9 J2044	
11	VS1-5057-004		1	CONNECTOR, SNAP TIGHT	J2035	
12	FA9-2112-000		2	BUSHING		
13	RH7-7129-000		1	OHT SENSOR UNIT	PS26 J2036	
14	XA9-1386-000		7	SCREW,RS,M3X8		
15	FC5-0484-000		1	FLAG, PRE-REGISTRATION SENSOR		
16	FC5-0516-000		1	SPRING, GROUNDING		
17	FC5-0539-000		1	SPRING, GROUNDING		
18	FC5-0540-000		1	HOLDER, GROUNDING SPRING		
19	FC5-0547-000		1	GUIDE, PRE-REGISTRATION PAPER		
20	FF3-4529-000		2	CABLE, VARISTOR		
21	FH7-7312-000		1	PHOTO-INTERRUPTER	PS9 J2037	
22	FU5-2035-000		1	SPRING, TORSION		
23	FC5-6893-000		1	CAM, TRANSFER PRESSURE		
24	FG3-3193-000		1	CABLE, PRE-REGISTRATION SENSOR	J2035,2037	
25	FC5-0684-000		1	TERMINAL, 2ND TRANSFER F.GUIDE		
26	FC5-0701-000		1	SUPPORT, GUIDE, FRONT		
27	FC5-0702-000		1	SUPPORT, GUIDE, REAR		
28	FC5-1467-000		2	PIN, READER POSITIONING		
29	FC5-0845-000		1	CAM, TRANSFER PRESSURE		
30	FC5-0846-000		1	SHAFT, TRANSFER PRESSURE CAM		
31	FC5-0847-000		2	ARM, TRANSFER PRESSURE		

FIGURE & KEY NO.	PARTS NUMBER	RANK	Q'TY	DESCRIPTION	SERIAL NUMBER/REMARKS	SVC
32	FC5-6578-000		2	PIN, POSITIONING		
33	FC5-0670-000		1	GUIDE, 2ND PRE-TRANSFER INNER		
501	XB1-2300-607		AR	SCREW,MACH.,TRUSS HEAD,M3X6		
502	XD2-1100-642		AR	RING,E		
503	XD3-2160-162		AR	PIN,DOWEL		
504	XD3-2250-142		AR	PIN,DOWEL		
505	XB1-2402-007		AR	SCREW,MACH.,TRUSS HEAD,M4X20		
506	XB4-5400-807		AR	SCREW,P,M4X8		

FIGURE & KEY NO.	PARTS NUMBER	R A N K	Q'TY	DESCRIPTION	SERIAL NUMBER/ REMARKS	S V C
Fig.105	NPN		RF	INTERNAL COMPONENTS 4		
1	FC5-0575-000		2	SUPPORT, SPRING		
2	FC5-6583-000		1	ARM, DRIVE RELEASE		
3	FC5-0895-000		1	COVER, CONNECTOR		
4	FC5-6563-000		1	COVER, SCANNER DUST-PROOF		
5	FU5-2066-000		2	SPRING, COMPRESSION		
6	FG3-3185-000		1	CABLE, BEAM DETECT, 1	J327,2067	
7	FC5-0191-000		1	GUIDE, POSITIONING		
8	FC5-0195-000		2	SPRING, LEAF		
9	FC5-0197-000		1	LINK, SHUTTER, 1		
10	FU5-2038-000		2	SPRING, TORSION		
11	XA9-1386-000		27	SCREW,RS,M3X8		
12	VS1-5057-003		2	CONNECTOR, SNAP TIGHT	J2067,2068	
13	FC5-0201-000		1	PLATE, CLEANING		
14	FL2-0033-000		1	CLEANING PAD UNIT		
15	FB6-3313-000		2	ROLLER, PAPER FEED		
16	FC5-0596-000		1	DOOR, RIGHT LOWER INNER		
17	FS5-1595-000		4	BLOCK, ROLLER		
18	FS7-2788-000		4	SPRING, COMPRESSION		
19	FU5-8014-000		1	LABEL, LASER CAUTION		
20	FL2-0189-000		1	PIN, POSITIONING		
21	FS5-9664-000		2	SCREW,RS STEPPED,M3		
22	FU5-2055-000		1	SPRING, COMPRESSION		
23	RS1-9025-000		2	SCREW, STEPPED, M3		
501	XB6-2400-609		AR	SETSCREW,M4X6		

FIGURE & KEY NO.	PARTS NUMBER	RANK	Q'TY	DESCRIPTION	SERIAL NUMBER/REMARKS	SVC
Fig.106	NPN		RF	MACHINE REAR PLATE 1		
1	FH2-9252-000		1	CABLE, HIGH VOLTAGE		
2	FH3-2656-000		1	SWITCHING P. SUPPLY PCB ASS'Y	120V	
2	FH3-2657-000		1	SWITCHING P. SUPPLY PCB ASS'Y	220/240V	
3	VS1-6318-008		1	CONNECTOR, SNAP TIGHT	J2129	
4	FG3-2807-000		1	CABLE, ECO-ID	J1207,2115	
5	FG3-2814-000		1	CABLE, H. P. SENSOR CONNECTING	J2058,2106,2129,2130 J2131	
6	XA9-1386-000		20	SCREW,RS,M3X8		
7	FG3-2829-000		1	CABLE, READER LATTICE	J2012,2016,2017	
8	VS1-5057-003		1	CONNECTOR, SNAP TIGHT	J2106	
9	VS1-5057-006		1	CONNECTOR, SNAP TIGHT	J2003	
10	VS1-5057-007		1	CONNECTOR, SNAP TIGHT	J2006	
11	VS1-5057-010		1	CONNECTOR, SNAP TIGHT	J2111	
12	FG3-3180-000		1	CABLE, 1ST TRANSFER H.V.	J2,1504	
13	VS1-5820-006		1	CONNECTOR, SNAP TIGHT	220/240V ONLY J2030	
14	VS1-6318-015		1	CONNECTOR,SNAP TIGHT	J2045	
15	FG3-3174-000		1	CABLE, AC CONNECT	220/240V ONLY J203,640	
16	VS1-5820-007		1	CONNECTOR, SNAP TIGHT	220/240V ONLY J2025	
17	WT2-5565-000		2	CLAMP, CABLE		
18	XA9-0265-000		1	SCREW,W/WASHER,TRUSS HEAD		
18	XA9-0265-000		1	SCREW,W/WASHER,TRUSS HEAD	220/240V ONLY	
19	FG3-2811-000		1	CABLE, LATTICE	220/240V ONLY J2022,2024,2025,2030	
20	FM2-0262-000		1	READER POWER MOUNT ASSEMBLY		
21	FG3-3589-000		1	CABLE, HIGH VOLTAGE CONNECTING	J1,507	
22	FG3-3178-000		1	CABLE, LATTICE	J2021,2023	
23	WE8-6094-000		1	CORE, FERRITE	220/240V ONLY	
501	XB6-7300-607		AR	SCREW,TP,M3X6		
502	XB1-2300-607		AR	SCREW,MACH.,TRUSS HEAD,M3X6		
503	XB1-2400-603		AR	SCREW,MACH.,TRUSS HEAD,M4X6		
504	XD1-4200-402		AR	WASHER,TOOTHED LOCK		

FIGURE 107
MACHINE REAR PLATE 2

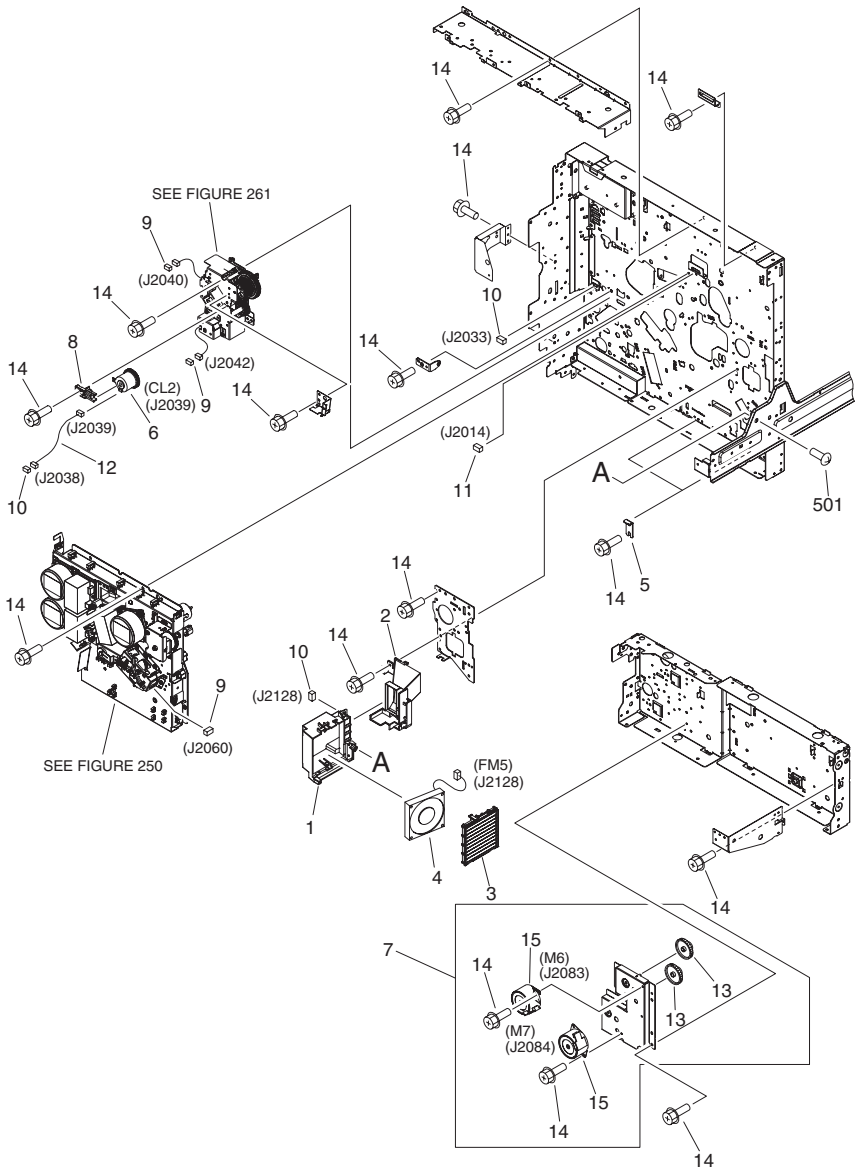
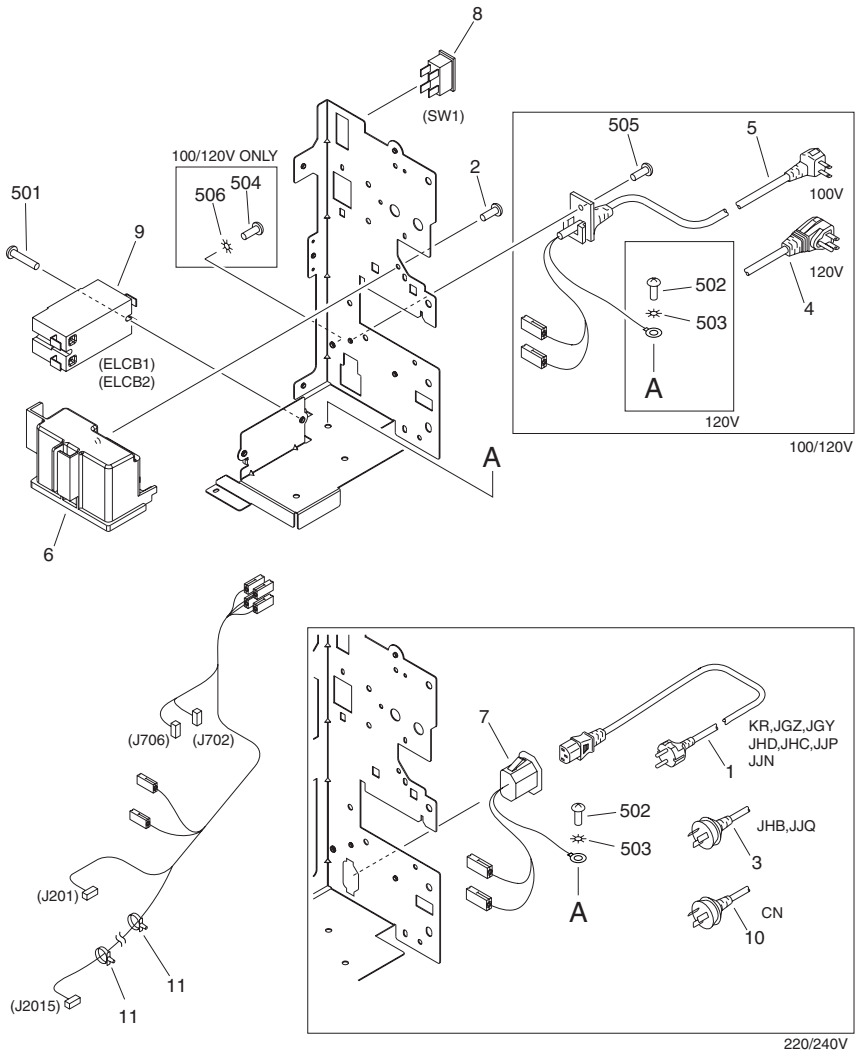


FIGURE & KEY NO.	PARTS NUMBER	R A N K	Q'TY	DESCRIPTION	SERIAL NUMBER/ REMARKS	S V C
Fig.107	NPN		RF	MACHINE REAR PLATE 2		
1	FC5-0457-000		1	DUCT, FAN, 1		
2	FC5-0458-000		1	DUCT, FAN, 2		
3	FC5-0810-000		1	FILTER, AIR		
4	FH6-1999-000		1	FAN	FM5 J2128	
5	FL2-0203-000		2	PIN, POSITIONING		
6	FH6-5075-000		1	CLUTCH, ELECTROMAGNETIC	CL2 J2039	
7	FM2-0130-000		1	PAPER PICK-UP MOTOR UNIT		
8	FC5-0843-000		1	SPACER, CLUTCH		
9	VS1-5057-002		3	CONNECTOR, SNAP TIGHT	J2040,2042,2060	
10	VS1-5057-003		3	CONNECTOR, SNAP TIGHT	J2033,2038,2128	
11	VS1-5820-007		1	CONNECTOR, SNAP TIGHT	J2014	
12	FG3-3195-000		1	CABLE, CLUTCH, 2	J2038,2039	
13	FU3-0285-000		2	GEAR, 80T/16T		
14	XA9-1386-000		24	SCREW,RS,M3X8		
15	FH6-1972-000		2	MOTOR, STEPPING	M6,7 J2083,2084	
501	XB4-5400-807		AR	SCREW,P,M4X8		

FIGURE 110 POWER CORD TERMINAL ASSEMBLY



NOTE : This assembly does not include the parts shown with key No. 1, 3 and 10.
 注 : このユニットにKey No. 1, 3, 10の部品は含まれません。

FIGURE & KEY NO.	PARTS NUMBER	R A N K	Q'TY	DESCRIPTION	SERIAL NUMBER/ REMARKS	S V C
Fig.110	FM2-0102-000		1	POWER CORD TERMINAL ASSEMBLY	120V	
Fig.110	FM2-0259-000		1	POWER CORD TERMINAL ASSEMBLY	100V	
Fig.110	FM2-0275-000		1	POWER CORD TERMINAL ASSEMBLY	220/240V	
1	FH2-5761-020		1	CORD, POWER SUPPLY	SEE NOTE KR,JGZ,JGY JHD,JHC,JJP,JJN	
2	XA9-1386-000		2	SCREW,RS,M3X8		
3	FH2-5763-000		1	POWER CORD	SEE NOTE JHB,JJQ	
4	FF3-4526-000		1	CORD, POWER SUPPLY	120V	
5	FF3-4525-000		1	CORD, POWER SUPPLY	100V	
6	FC5-1168-000		1	HANDLE, RIGHT REAR		
7	FF3-4527-000		1	CABLE, SOCKET	220/240V	
8	FH7-6368-000		1	SWITCH, MAIN	SW1	
9	FH7-7623-000		1	BREAKER, ELECTRIC LEAKAGE	220/240V ELCB2	
9	FH7-7624-000		1	BREAKER, ELECTRIC LEAKAGE	100/120V ELCB1	
10	FH2-6488-000		1	CORD, POWER SUPPLY	SEE NOTE CH	
11	WT2-5565-000		2	CLAMP, CABLE		
501	XB1-2402-007		AR	SCREW,MACH.,TRUSS HEAD,M4X20		
502	XB1-2500-603		AR	SCREW,MACH.,TRUSS HEAD,M5X6		
503	XD1-4200-502		AR	WASHER,TOOTHED LOCK		
504	XB1-2400-603		AR	SCREW,MACH.,TRUSS HEAD,M4X6		
505	XB6-7300-607		AR	SCREW,TP,M3X6		
506	XD1-4200-402		AR	WASHER,TOOTHED LOCK		
	WE8-5184-000		1	FERRITE CORE		

FIGURE 130 CONTROL PANEL ASSEMBLY

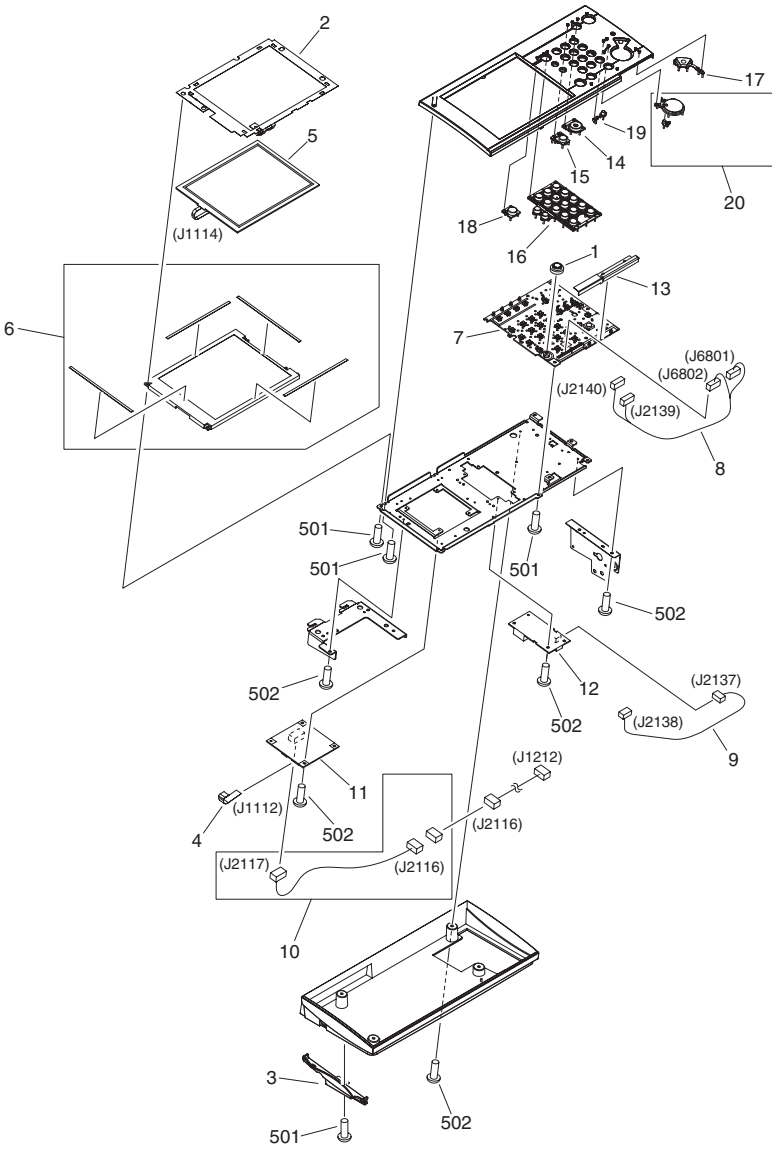
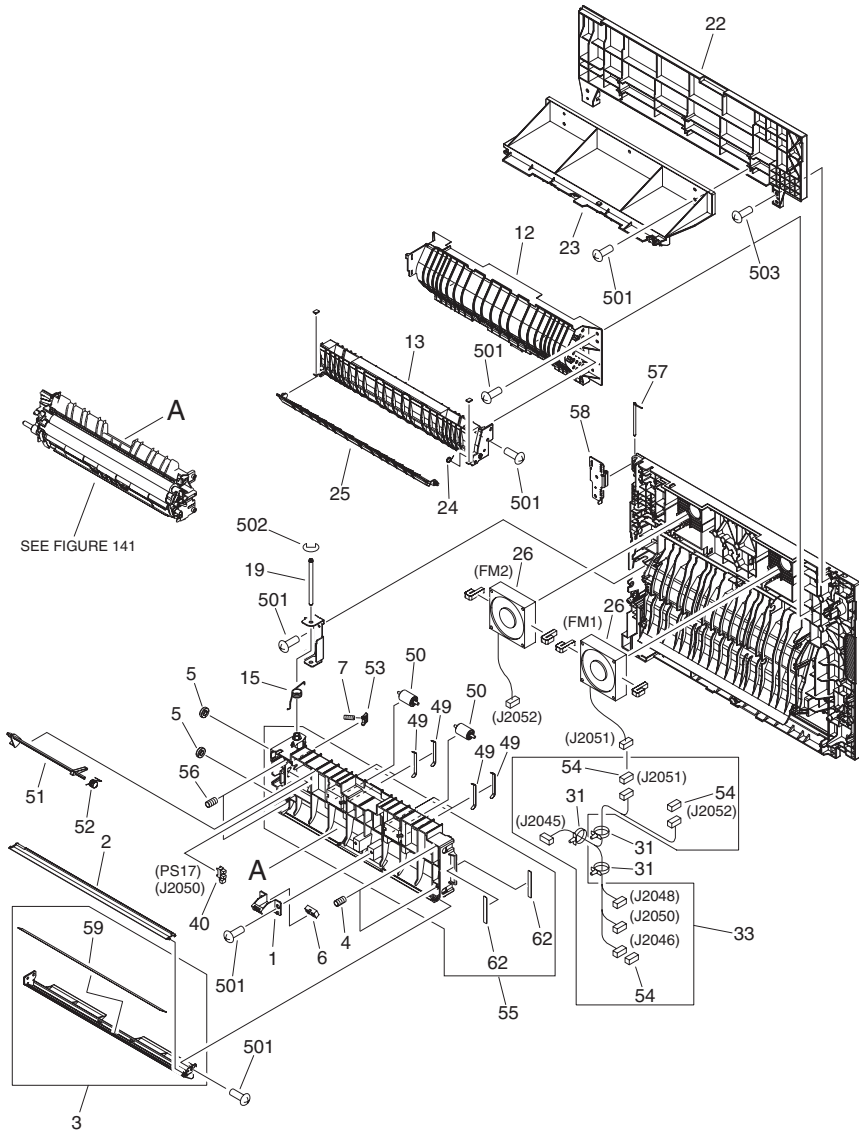


FIGURE & KEY NO.	PARTS NUMBER	R A N K	Q'TY	DESCRIPTION	SERIAL NUMBER/ REMARKS	S V C
Fig.130	FM2-0238-000		1	CONTROL PANEL ASSEMBLY	ENGLISH JGX	
Fig.130	FM2-0240-000		1	CONTROL PANEL ASSEMBLY	ENGLISH/CHINESE/ KOREAN/ILLUSTRATION	
Fig.130	FM2-0815-000		1	CONTROL PANEL ASSEMBLY	JAPANESE	
Fig.130	FM2-1118-000		1	CONTROL PANEL ASSEMBLY	ENGLISH JGZ,JHB,JHD, ENGLISH JJP,JJQ,JJN	
1	FC5-1067-000		1	KNOB, VOLUME		
2	FC5-4458-000		1	SHEET, LCD ELECTROSTATIC		
3	FC5-4460-000		1	HOLDER, PEN		
4	FH2-7037-000		1	CABLE, FLAT	J1112	
5	FH6-0834-000		1	ANALOG TOUCH PANEL UNIT	J1114	
6	FL2-1148-000		1	LCD CONTROL PANEL UNIT		
7	FG3-2834-000		1	PANEL SWITCH PCB ASSEMBLY		
8	FG3-2835-000		1	CABLE, SWITCH	J2139,2140,6801,6802	
9	FG3-2836-000		1	CABLE, PANEL INVERTER	J2137,2138	
10	FG3-2837-000		1	CABLE, CONTROL PANEL CONNECT	J2116,2117	
11	FG6-8938-000		1	CONTROL PANEL CPU PCB ASSEMBLY		
12	FG6-8939-000		1	C. PANEL INVERTER PCB ASSEMBLY		
13	FC5-1057-000		1	WINDOW, LAMP		
14	FC5-1059-000		1	KEY TOP, POWER SUPPLY		
15	FC5-1060-000		1	KEY TOP, ENERGY SAVE		
16	FC5-1061-000		1	KEY TOP, NUMBERS		
17	FC5-1064-000		1	KEY TOP, STOP		
18	FC5-1065-000		1	KEY TOP, RESET		
19	FC5-1066-000		1	KEY TOP, COUNTER		
20	FM2-1116-000		1	START KEY TOP ASSEMBLY		
501	XB4-5301-007		AR	SCREW,P,M3X10		
502	XB6-7300-607		AR	SCREW,TP,M3X6		

FIGURE 140
RIGHT DOOR ASSEMBLY



NOTE : This assembly includes the assemblies shown in Figure 141 and 315.
注 : このユニットはFigure 141, 315のユニットを含みます。

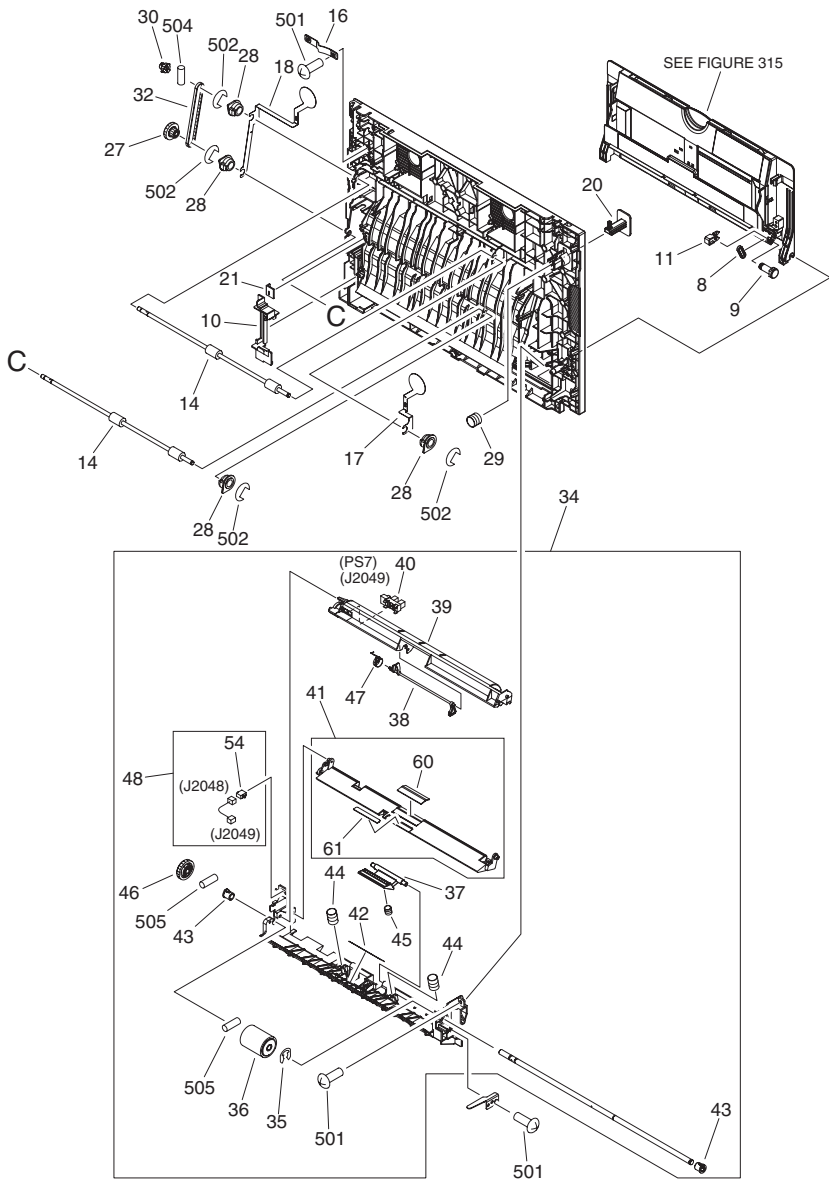
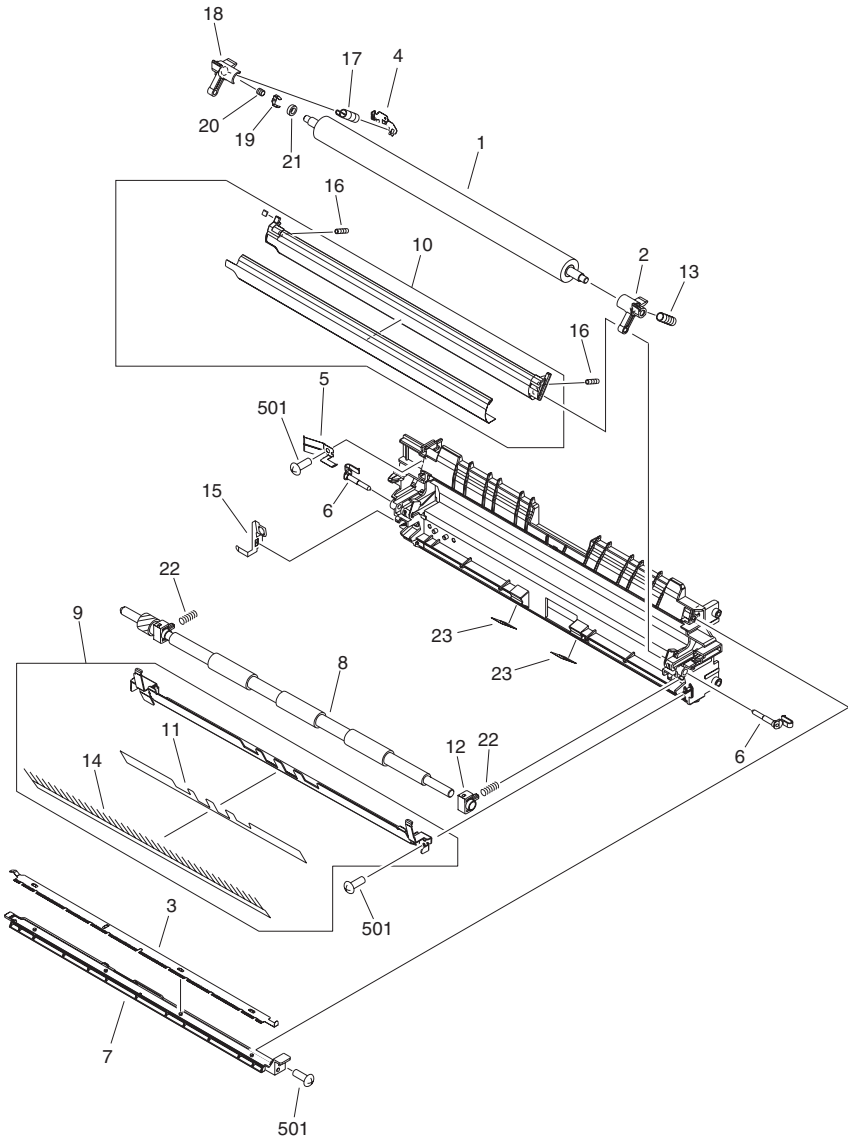


FIGURE & KEY NO.	PARTS NUMBER	R A N K	Q'TY	DESCRIPTION	SERIAL NUMBER/ REMARKS	S V C
Fig.140	FM2-0150-000		1	RIGHT DOOR ASSEMBLY	SEE NOTE	
1	FC5-0491-000		1	HOLDER, OHP SENSOR		
2	FC5-0496-000		1	GUIDE, PRE-REGIST. AUX., UPPER		
3	FL2-0106-000		1	GUIDE, PRE-REGIST. AUXILIARY		
4	FU5-2045-000		2	SPRING, COMPRESSION		
5	FU5-6014-000		2	COLLAR		
6	RB2-5850-000		1	PRISM		
7	FU5-2067-000		1	SPRING, COMPRESSION		
8	FC5-0521-000		1	LINK, MULTI FEED HAND LEVER		
9	FC5-0522-000		1	PIN, LEVER HINGE		
10	FC5-0524-000		1	COVER, MULTI FEED CONNECTOR		
11	FC5-0525-000		1	RING, RETAINING		
12	FC5-0651-000		1	GUIDE, DUPLEXING FEEDER, 1		
13	FC5-0652-000		1	GUIDE, DUPLEXING FEEDER, 2		
14	FC5-0653-000		2	ROLLER, DUPLEXING FEEDER		
15	FC5-0659-000		1	SPRING, TORSION		
16	FC5-0674-000		1	STRAP, RIGHT DOOR		
17	FC5-0676-000		1	PLATE, GROUNDING		
18	FC5-0677-000		1	PLATE, GROUNDING		
19	FC5-0682-000		1	PIN, INNER DOOR HINGE		
20	FC5-0685-000		1	BUTTON, RIGHT DOOR		
21	FC5-0690-000		1	PLATE, SHOCK ABSORBER		
22	FC5-0803-000		1	PANEL, RIGHT UPPER		
23	FC5-0807-000		1	GUIDE, 1ST DELIVERY FIXING		
24	FC5-0972-000		1	SPRING, TORSION		
25	FC5-1354-000		1	FLAPPER, FIXING DELIVERY REV.		
26	FH6-1998-000		2	FAN	FM1,2 J2051,2052	
27	FU5-0006-000		1	GEAR, 26T/PULLEY, 24T		
28	FU5-1006-000		4	BUSHING		
29	FU5-2063-000		1	SPRING, COMPRESSION		
30	FU5-3016-000		1	PULLEY, 24T		
31	WT2-5565-000		3	CLAMP, CABLE		

FIGURE & KEY NO.	PARTS NUMBER	RANK	Q'TY	DESCRIPTION	SERIAL NUMBER/REMARKS	SVC
32	XF2-4112-240		1	BELT, TIMING, COGGED		
33	FG3-3189-000		1	CABLE, RIGHT DOOR UNIT	J2045,2046,2048, J2050,2051,2052	
34	FM2-0111-000		1	MULTI FEED FRAME ASSEMBLY		
35	FA4-1159-000		1	RING, RETAINING		
36	FB1-8581-000		1	ROLLER, PAPER PICK-UP		
37	FC5-0488-000		1	PAD, MULTI FEED SEPARATION		
38	FC5-0489-000		1	FLAG, MULTI FEED SENSOR		
39	FC5-0490-000		1	COVER, MULTI FEED ROLLER		
40	FH7-7312-000		2	PHOTO-INTERRUPTER	PS7,17 J2049,2050	
41	FL2-0101-000		1	PLATE, MULTI FEED, LIFTER		
42	FC5-0542-000		1	SHEET, MULTI FEED OUTLET		
43	FS5-1209-000		2	BUSHING		
44	FS6-2790-000		2	SPRING, COMPRESSION		
45	FS6-2791-000		1	SPRING, COMPRESSION		
46	FU5-0061-000		1	GEAR, 31T		
47	FU5-2034-000		1	SPRING, TORSION		
48	FG3-3188-000		1	CABLE, MULTI SENSOR	J2048,2049	
49	FB4-2930-000		8	SPRING, LEAF		
50	FB5-4773-000		2	ROLLER, DUPLEXING		
51	FC5-0657-000		1	FLAG, DUPLEXING FEEDER SENSOR		
52	FC5-0658-000		1	SPRING, TORSION		
53	FC5-0691-000		1	STOPPER, DOOR		
54	VS1-5057-003		4	CONNECTOR, SNAP TIGHT	J2046,2048,2051,5052	
55	FL2-0143-000		1	GUIDE, DUPLEXING INTERNAL		
56	FU5-2044-000		2	SPRING, COMPRESSION		
57	FL2-0138-000		1	PIN, HINGE		
58	FC5-0671-000		1	HINGE, RIGHT DOOR, UPPER		
59	FC5-0487-000		1	SHEET, PRE-REGIST. AUX. GUIDE		
60	FC5-0529-000		1	SHEET, SEPARATION		
61	FC5-0543-000		1	SHEET, SEPARATION		
62	FC5-0703-000		2	LABEL, RIGHT INSIDE DOOR GRIP		
501	XB4-5401-007		AR	SCREW,P,M4X10		

FIGURE & KEY NO.	PARTS NUMBER	R A N K	Q'TY	DESCRIPTION	SERIAL NUMBER/ REMARKS	S V C
502	XD2-1100-422		AR	RING,E		
503	XB4-5400-809		AR	SCREW,P,M4X8		
504	XD3-2200-102		AR	PIN,DOWEL		
505	XD3-2160-162		AR	PIN,DOWEL		

FIGURE 141 PAPER FEEDER FRAME ASSEMBLY



NOTE : This assembly is included in the assembly shown in Figure 140.
 注 : このユニットはFigure 140のユニットに含まれます。

FIGURE & KEY NO.	PARTS NUMBER	R A N K	Q'TY	DESCRIPTION	SERIAL NUMBER/ REMARKS	S V C
Fig.141	FM2-0154-000		1	PAPER FEEDER FRAME ASSEMBLY	SEE NOTE	
1	FC5-0661-000		1	ROLLER, 2ND TRANSFER		
2	FC5-0662-000		1	ARM, 2ND TRANSFER, FRONT		
3	FC5-0664-000		1	ELIMINATOR, STATIC CHARGE		
4	FC5-0665-000		1	PLATE, GROUNDING		
5	FC5-0666-000		1	PLATE, GROUNDING		
6	FC5-0669-000		2	PIN, 2ND TRANSFER HINGE		
7	FC5-0680-000		1	HOLDER, STATIC CHARGE ELIMI.		
8	FL2-0105-000		1	ROLLER, REGISTRATION		
9	FL2-0108-000		1	GUIDE, PRE-REGIST. DOOR SIDE		
10	FL2-0140-000		1	GUIDE, 2ND TRANSFER FRONT		
11	FC5-0550-000		1	SHEET, PRE-REGIST. DOOR SIDE		
12	FU5-1009-000		1	BUSHING		
13	FU5-2027-000		1	SPRING, COMPRESSION		
14	FC5-0549-000		1	ELIMINATOR, STATIC CHARGE		
15	FU5-2037-000		1	PLATE, GROUNDING		
16	FU5-2071-000		2	SPRING, COMPRESSION		
17	FU5-2072-000		1	SPRING, COMPRESSION		
18	FC5-0663-000		1	ARM, 2ND TRANSFER, REAR		
19	FC5-5504-000		1	TERMINAL, POWER DISPATCHING		
20	FC5-5505-000		1	SPRING, COMPRESSION		
21	XG9-0497-000		1	BEARING, BALL, MR106ZZ		
22	FU5-2611-000		2	SPRING, COMPRESSION		
23	FC5-0548-000		2	SHEET, PRE-REGISTRATION		
501	XB4-5401-007		AR	SCREW,P,M4X10		

FIGURE 145 RIGHT LOWER DOOR ASSEMBLY

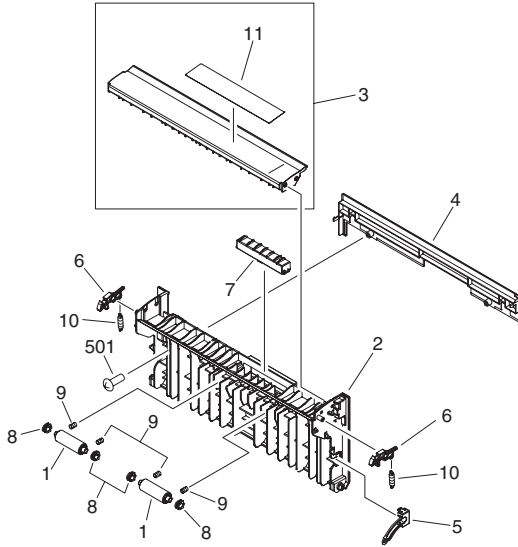


FIGURE & KEY NO.	PARTS NUMBER	R A N K	Q'TY	DESCRIPTION	SERIAL NUMBER/ REMARKS	S V C
Fig.145	FM2-0131-000		1	RIGHT LOWER DOOR ASSEMBLY		
1	FB6-3313-000		2	ROLLER, PAPER FEED		
2	FC5-0588-000		1	DOOR, RIGHT LOWER		
3	FL2-0126-000		1	GUIDE, DECK PATH		
4	FC5-0590-000		1	PANEL, BLANKING		
5	FC5-0592-000		1	STOPPER, RIGHT LOWER DOOR		
6	FC5-0593-000		2	HOOK, RIGHT LOWER DOOR		
7	FC5-0594-000		1	GRIP, RIGHT LOWER DOOR		
8	FS5-1595-000		4	BLOCK, ROLLER		
9	FS7-2788-000		4	SPRING, COMPRESSION		
10	FU5-2030-000		2	SPRING, TENSION		
11	FU5-8011-000		1	LABEL, LASER CAUTION		
501	XB4-5400-807		AR	SCREW,P,M4X8		

FIGURE 190 ITB COOLING FAN ASSEMBLY

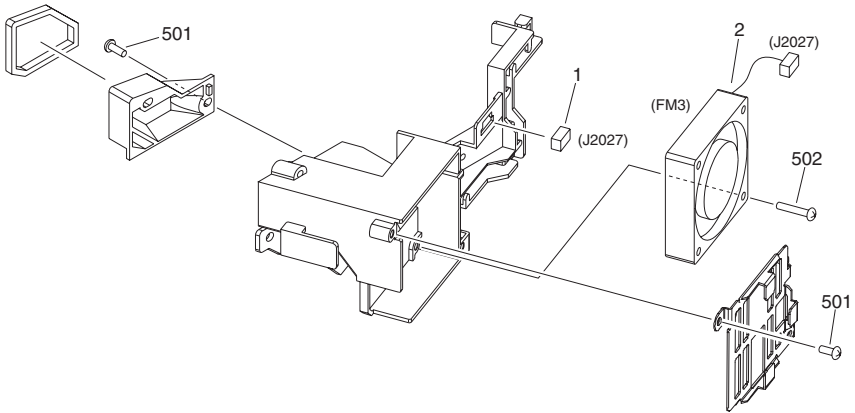
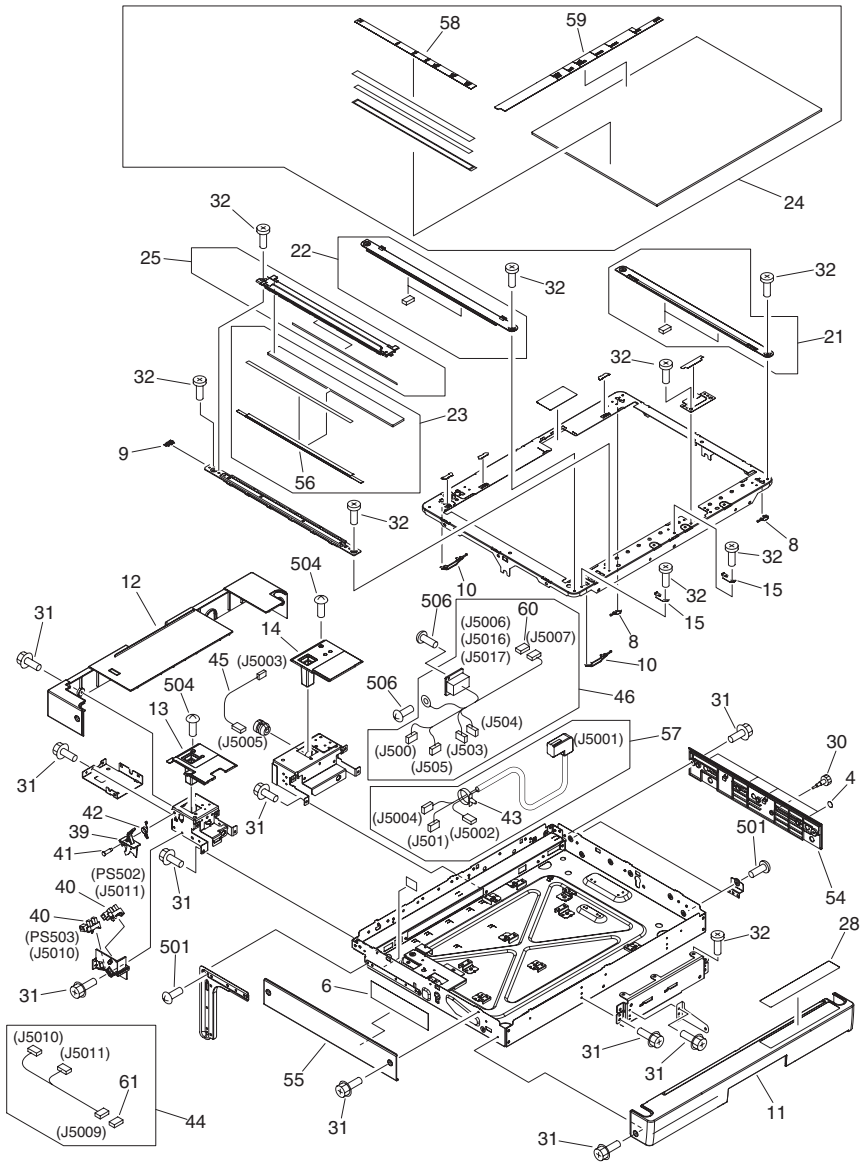


FIGURE & KEY NO.	PARTS NUMBER	RANK	Q'TY	DESCRIPTION	SERIAL NUMBER/REMARKS	SVC
Fig.190	FM2-0084-000		1	ITB COOLING FAN ASSEMBLY		
1	VS1-5057-003		1	CONNECTOR, SNAP TIGHT	J2027	
2	FH6-1885-000		1	FAN	FM3 J2027	
501	XB4-5401-007		AR	SCREW,P,M4X10		
502	XB4-5402-209		AR	SCREW, P, M4X22		

FIGURE 210 READER ASSEMBLY



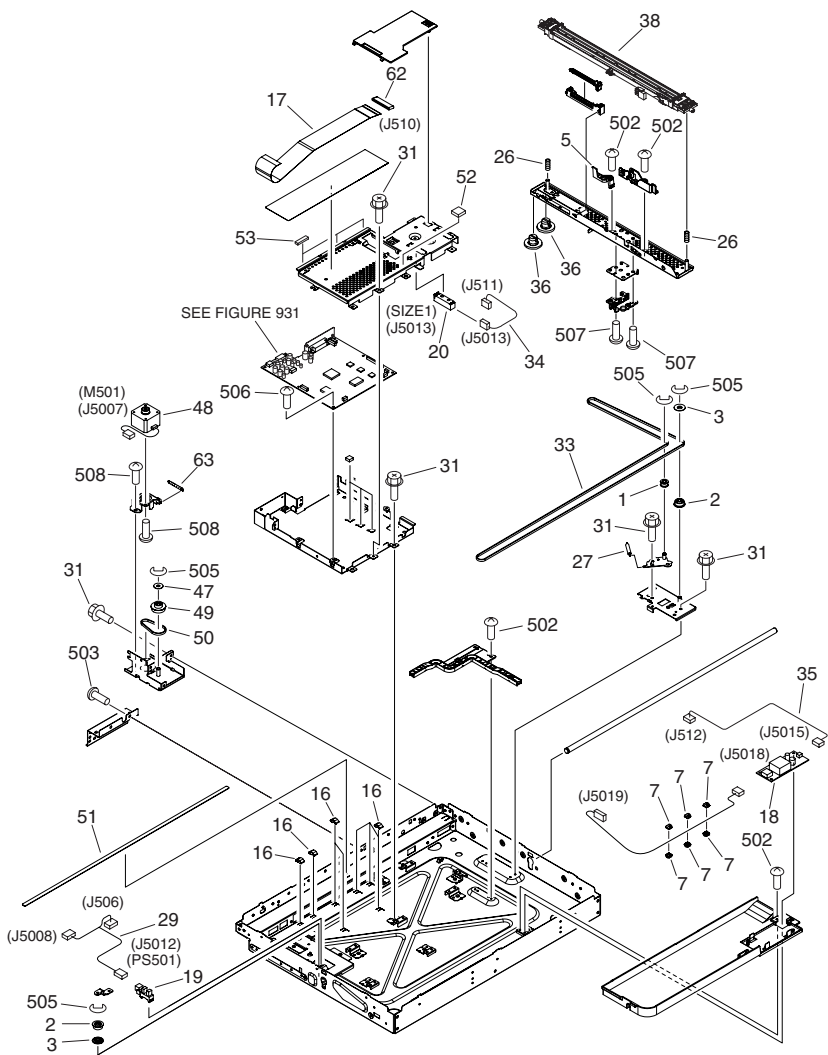


FIGURE & KEY NO.	PARTS NUMBER	RANK	Q'TY	DESCRIPTION	SERIAL NUMBER/REMARKS	SVC
Fig.210	NPN		RF	READER ASSEMBLY		
1	FB6-1321-000		1	PULLEY, TENSION		
2	FB6-1357-000		2	PULLEY, IDLER		
3	FB6-1358-000		2	FLANGE		
4	FC5-0166-000		4	SEAL, BLANKING		
5	FC5-0792-000		1	RETAINER, BELT		
6	FL2-0069-000		1	LABEL, SERVICE		
7	FC5-1037-000		6	HOLDER, CABLE		
8	FC5-1426-000		2	GUIDE, CARRIAGE, RIGHT		
9	FC5-1427-000		1	COVER, EDGE		
10	FC5-1439-000		2	GUIDE, CARRIAGE, LEFT		
11	FC5-1440-000		1	PANEL, READER, FRONT		
12	FC5-1441-000		1	PANEL, READER, REAR		
13	FC5-1446-000		1	PANEL, DF SUPPORT, LEFT		
14	FC5-1447-000		1	PANEL, DF SUPPORT, RIGHT		
15	FC5-1473-000		2	RETAINER, GLASS		
16	FC5-1499-000		7	PLATE, GROUNDING		
17	FH2-7054-000		1	CABLE, FLEXIBLE FLAT	J510	
18	FH3-7215-000		1	LAMP REGULATOR PCB ASSEMBLY		
19	FH7-7462-000		1	PHOTO-INTERRUPTER	PS501 J5012	
20	FH7-7569-000		1	DOCUMENT SIZE SENSOR UNIT	SIZE1 J5013	
21	FL2-0127-000		1	RETAINER, GLASS, RIGHT		
22	FL2-0128-000		1	RETAINER, GLASS, LEFT		
23	FL2-0220-000		1	GLASS, READER		
24	FL2-0223-000		1	GLASS, COPYBOARD	INCH/A SIZE	
24	FL2-0224-000		1	GLASS, COPYBOARD	A SIZE	
24	FL2-0225-000		1	GLASS, COPYBOARD	INCH/AB SIZE	
24	FL2-0273-000		1	GLASS, COPYBOARD	AB SIZE	
25	FL2-0279-000		1	GUIDE, PAPER		
26	FU5-2091-000		2	SPRING, COMPRESSION		
27	FU5-2103-000		1	SPRING, TENSION		
28	FU5-8203-000		1	LABEL, COPY INHIBITED	JAPANESE	

FIGURE & KEY NO.	PARTS NUMBER	R A N K	Q'TY	DESCRIPTION	SERIAL NUMBER/ REMARKS	S V C
28	FU5-8204-000		1	LABEL, COPY INHIBITED	ENGLISH	
28	FU5-8205-000		1	LABEL, COPY INHIBITED	ENGLISH JGX	
28	FU5-8206-000		1	LABEL, COPY INHIBITED	ENGLISH JGX	
28	FU5-8207-000		1	LABEL, COPY INHIBITED	ENGLISH JGX,JGZ,,JHD, ENGLISH JJP,,JN	
28	FU5-8208-000		1	LABEL, COPY INHIBITED	ENGLISH JGY,JHC	
28	FU5-8209-000		1	LABEL, COPY INHIBITED	ENGLISH JGY,JHC	
28	FU5-8210-000		1	LABEL, COPY INHIBITED	ENGLISH JGY,JHC	
28	FU5-8211-000		1	LABEL, COPY INHIBITED	ENGLISH JGY,JHC	
28	FU5-8215-000		1	LABEL, 'LEGAL LIMITATION'	CHINESE	
28	FU5-8216-000		1	LABEL, 'LEGAL LIMITATION'	ENGLISH TW	
28	FU5-8217-000		1	LABEL, 'LEGAL LIMITATION'	KOREAN	
29	FG3-3153-000		1	CABLE, HOME POSITION SENSOR	J506,5008,5012	
30	FU5-9006-000		1	SCREW, FIXED, M4		
31	XA9-1386-000		67	SCREW,RS,M3X8		
32	XA9-1415-000		14	SCREW, FLAT HEAD, M4		
33	XF9-0743-000		1	BELT, TIMING, COGGED		
34	FG3-3154-000		1	CABLE, SIZE DETECT	J511,5013	
35	FG3-3157-000		1	CABLE, INVERTER	J512,5015	
36	FB3-2411-000		2	PIN, SLIDE		
37	FL2-1450-000		1	SHEET, WHITE	A SIZE	
37	FL2-1450-000		1	SHEET, WHITE	AB SIZE	
37	FL2-1450-000		1	SHEET, WHITE	INCH/A SIZE	
37	FL2-1450-000		1	SHEET, WHITE	INCH/AB SIZE	
38	FM2-1563-000		1	CONTACT IMAGE SENSOR ASSEMBLY		
39	FC5-1479-000		1	FLAG, SENSOR		
40	FH7-7312-000		2	PHOTO-INTERRUPTER	PS502,503 J5011,5010	
41	FS5-9227-020		1	SCREW,STEPS,M4		
42	FU5-2057-000		1	SPRING, TORSION		
43	WT2-5565-000		1	CLAMP, CABLE		
44	FG3-3156-000		1	CABLE, PLATE DETECT SENSOR	J5009-5011	
45	FG3-3158-000		1	CABLE, HEATER CONNECTING	J5003,5005	

FIGURE & KEY NO.	PARTS NUMBER	R A N K	Q'TY	DESCRIPTION	SERIAL NUMBER/ REMARKS	S V C
46	FG3-3152-000		1	CABLE, READER	J500,503-505 J5006,5007,5016,5017	
47	FB6-1339-000		1	FLANGE		
48	FH5-1028-000		1	MOTOR, STEPPING, DC	M501 J5007	
49	FU5-3030-000		1	PULLEY, 24T/41T		
50	XF2-4606-740		1	BELT, TIMING, COGGED		
51	FC5-1492-000		1	PLATE, RAIL		
52	KE8-1029-031		1	GASKET		
53	KE8-1028-058		3	GASKET		
54	FC5-1442-000		1	PANEL, READER, RIGHT		
55	FC5-1443-000		1	PANEL, READER, LEFT		
56	FC5-0790-000		1	SHEET, GROUNDING		
57	FG3-3155-000		1	CABLE, DDI-S POWER SUPPLY	J501,5001,5002,5004	
58	FU5-8001-000		1	PLATE, WIDTH INDEX	AB SIZE	
58	FU5-8003-000		1	PLATE, WIDTH INDEX	INCH/A SIZE	
58	FU5-8005-000		1	PLATE, WIDTH INDEX	A SIZE	
58	FU5-8007-000		1	PLATE, WIDTH INDEX	INCH/AB SIZE	
59	FU5-8002-000		1	PLATE, LENGTH INDEX	AB SIZE	
59	FU5-8004-000		1	PLATE, LENGTH INDEX	INCH/A SIZE	
59	FU5-8006-000		1	PLATE, LENGTH INDEX	A SIZE	
59	FU5-8008-000		1	PLATE, LENGTH INDEX	INCH/AB SIZE	
60	VS1-5057-004		1	CONNECTOR, SNAP TIGHT	J5007	
61	VS1-5057-006		1	CONNECTOR, SNAP TIGHT	J5009	
62	FH7-9334-000		1	CORE, FERRITE		
63	FU5-2105-000		1	SPRING, TENSION		
501	XB1-2400-609		AR	SCREW,MACH.,TRUSS HEAD,M4X6		
502	XB2-8300-807		AR	SCREW,W/WASHER,M3X8		
503	XB6-7300-607		AR	SCREW,TP,M3X6		
504	XB6-7500-807		AR	SCREW,TP,M5X8		
505	XD2-1100-502		AR	RING,E		
506	XB1-2300-607		AR	SCREW,MACH.,TRUSS HEAD,M3X6		
507	XB2-8400-807		AR	SCREW,W/WASHER,M4X8		
508	XB6-7300-407		AR	SCREW,TP,M3X4		

FIGURE 250 MAIN DRIVE ASSEMBLY

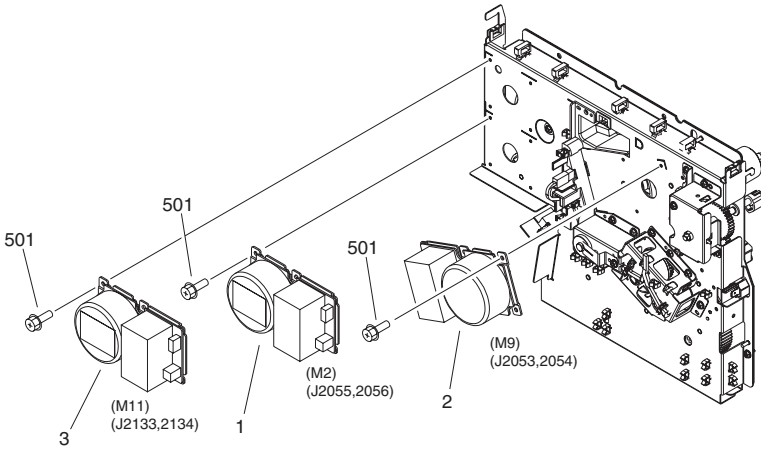


FIGURE & KEY NO.	PARTS NUMBER	R A N K	Q'TY	DESCRIPTION	SERIAL NUMBER/ REMARKS	S V C
Fig.250	FM2-0197-000		1	MAIN DRIVE ASSEMBLY		
1	FH5-1001-000		1	MOTOR, DC	M2 J2055,2056	
2	FH5-1004-000		1	MOTOR, DC	M9 J2053,2054	
3	FH5-1006-000		1	MOTOR, DC	M11 J2133,2134	
501	XB6-7300-607		AR	SCREW,TP,M3X6		

FIGURE 260 PAPER DELIVERY DRIVE ASSEMBLY

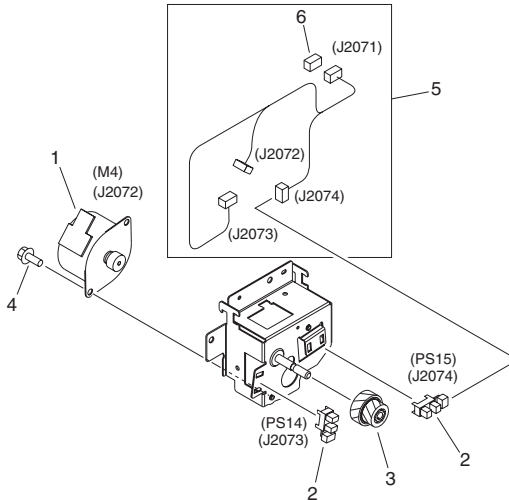


FIGURE & KEY NO.	PARTS NUMBER	R A N K	Q'TY	DESCRIPTION	SERIAL NUMBER/ REMARKS	S V C
Fig.260	FM2-0187-000		1	PAPER DELIVERY DRIVE ASSEMBLY		
1	FH6-1997-000		1	MOTOR, STEPPING, DC	M4 J2072	
2	FH7-7312-000		2	PHOTO-INTERRUPTER	PS14,15 J2073,2074	
3	FU5-0010-000		1	GEAR, 28T/20T		
4	XA9-1386-000		2	SCREW,RS,M3X8		
5	FG3-3182-000		1	CABLE,1ST PAPER DELIVERY DRIVE	J2071-2074	
6	VS1-6318-010		1	CONNECTOR, SNAP TIGHT	J2071	

FIGURE 261
MULTI DRIVE ASSEMBLY

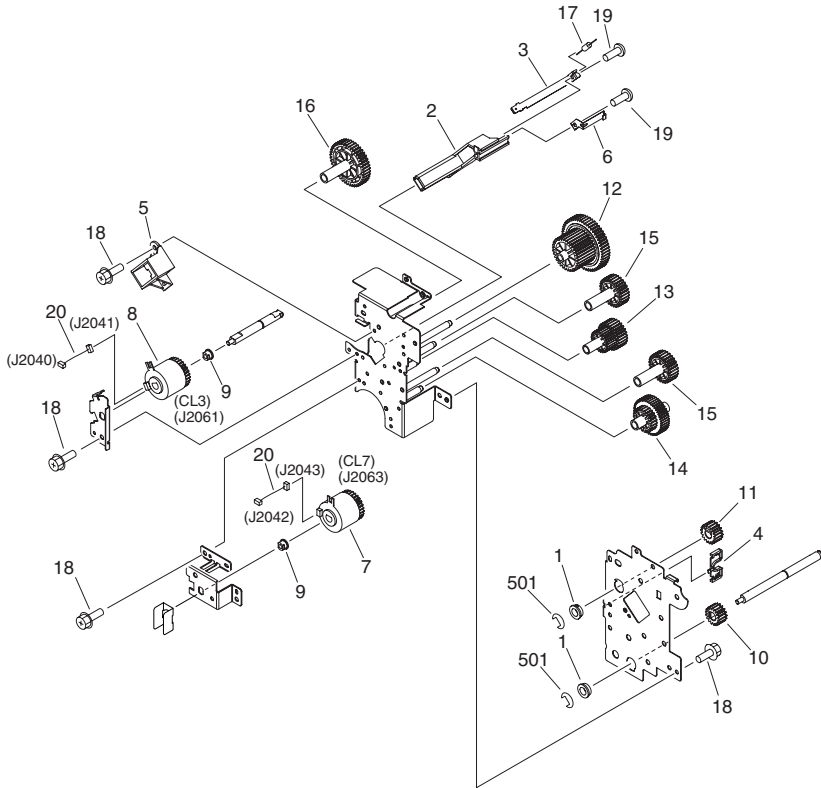


FIGURE & KEY NO.	PARTS NUMBER	R A N K	Q'TY	DESCRIPTION	SERIAL NUMBER/ REMARKS	S V C
Fig.261	FM2-0198-000		1	MULTI DRIVE ASSEMBLY		
1	FA9-2112-000		2	BUSHING		
2	FC5-0836-000		1	GUIDE, TERMINAL		
3	FC5-0837-000		1	TERMINAL, 2ND TRANSFER		
4	FC5-0838-000		1	CASE, POSITIONING		
5	FC5-0839-000		1	GUIDE, TERMINAL		
6	FC5-0840-000		1	TERMINAL, 2ND TRANSFER		
7	FH6-5005-000		1	CLUTCH, ELECTRO MAGNETIC	CL7 J2063	
8	FH6-5076-000		1	CLUTCH, ELECTRO MAGNETIC	CL3 J2061	
9	FS5-1947-000		2	BUSHING		
10	FU5-0007-000		1	GEAR, 17T		
11	FU5-0009-000		1	GEAR, 18T		
12	FU5-0031-000		1	GEAR, 33T/53T		
13	FU5-0032-000		1	GEAR, 26T/26T		
14	FU5-0033-000		1	GEAR, 45T/23T		
15	FU5-0036-000		2	GEAR, 28T		
16	FU5-0037-000		1	GEAR, 44T		
17	VR7-5820-103		1	RESISTOR, 10KOHM, 1/2W		
18	XA9-1386-000		8	SCREW,RS,M3X8		
19	XA9-1433-000		2	SCREW, W/WASHER, M3X6		
20	FG3-3196-000		2	CABLE, CLUTCH, 1	J2040-2043	
501	XD2-1100-642		AR	RING,E		

FIGURE 300
CASSETTE (MIDDLE)

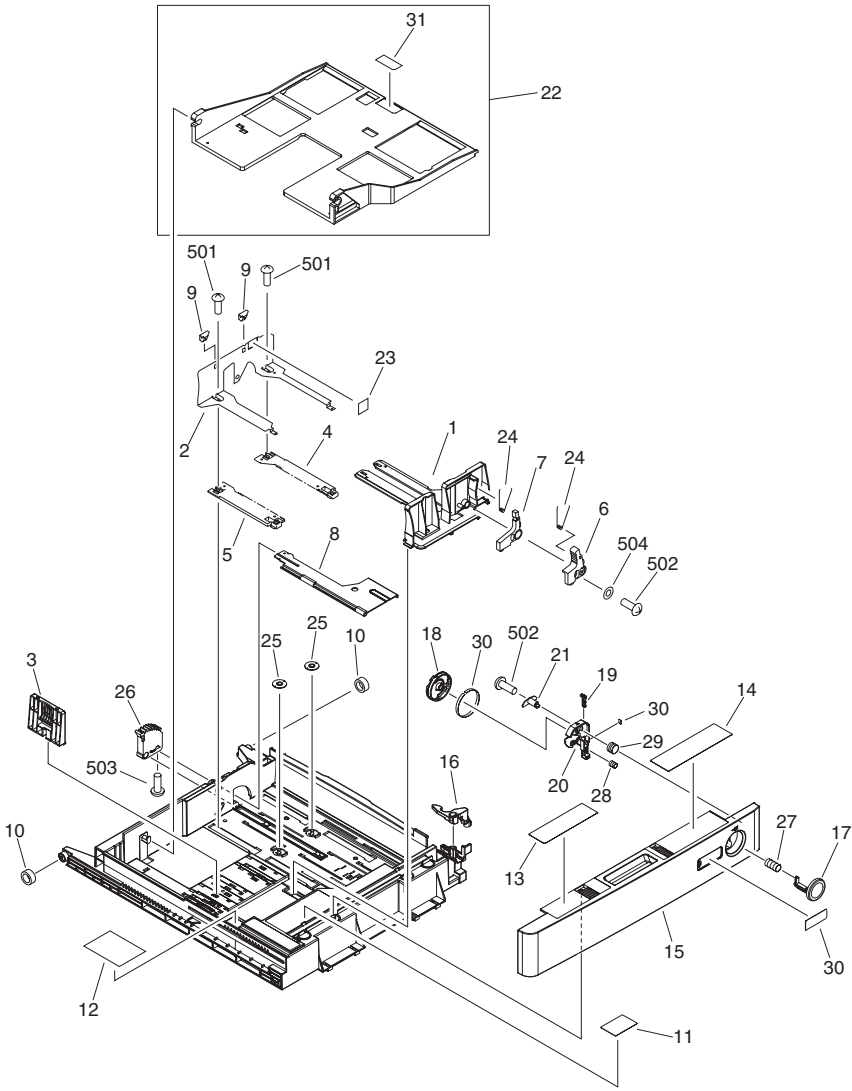


FIGURE & KEY NO.	PARTS NUMBER	RANK	Q'TY	DESCRIPTION	SERIAL NUMBER/REMARKS	SVC
Fig.300	NPN		RF	CASSETTE	MIDDLE	
1	FB6-3478-000		1	PLATE, SIDE GUIDE, FRONT		
2	FB6-3479-000		1	PLATE, SIDE GUIDE, REAR		
3	FB6-3480-000		1	PLATE, END GUIDE		
4	FB6-3481-000		1	RACK, 1		
5	FB6-3482-000		1	RACK, 2		
6	FB6-3483-000		1	KNOB, SIDE GUIDE PLATE, 1		
7	FB6-3484-000		1	KNOB, SIDE GUIDE PLATE, 2		
8	FB6-3486-000		1	PLATE, LIFTER		
9	FB6-3490-000		2	CLAW, SIDE PLATE GUIDE		
10	FB6-3506-000		2	COLLAR, CASSETTE SWING		
11	FC5-0583-000		1	LABEL, PAPER SET		
12	FC5-0585-000		1	LABEL, PAPER SET CAUTION		
13	FC5-0591-000		1	LABEL, SIZE CHANGE		
14	FC5-0598-000		1	LABEL, DIAL SET		
15	FC5-0622-000		1	PANEL, CASSETTE FRONT		
16	FC5-0635-000		1	ARM, LOCK		
17	FC5-0636-000		1	BUTTON, PUSH		
18	FC5-1422-000		1	DIAL, SIZE DETECT		
19	FC5-1423-000		1	SLIDER, CONVERT		
20	FC5-1424-000		1	HOLDER, DIAL		
21	FC5-1425-000		1	PIN, FLOAT GUIDE		
22	FF6-2064-000		1	PLATE, PAPER LIFTING		
23	FS6-8116-000		1	LABEL, 'PAPER HEIGHT'		
24	FS7-2805-000		2	SPRING, TORSION		
25	FU3-0293-000		2	GEAR, 16T		
26	FU3-0294-000		1	GEAR, 7T		
27	FU5-2032-000		1	SPRING, COMPRESSION		
28	FU5-2097-000		1	SPRING, COMPRESSION		
29	FU5-2104-000		1	SPRING, COMPRESSION		
30	FC5-0597-000		1	LABEL, CASSETTE SIZE		
31	FB6-3499-000		1	SHEET, SEPARATION		

FIGURE & KEY NO.	PARTS NUMBER	R A N K	Q'TY	DESCRIPTION	SERIAL NUMBER/ REMARKS	S V C
501	XB2-8300-607		AR	SCREW,W/WASHER,M3X6		
502	XB4-5300-807		AR	SCREW,P,M3X8		
503	XB6-7300-807		AR	SCREW,TP,M3X8		
504	XD1-1104-135		AR	SHIM		

FIGURE 301
CASSETTE (LARGE)

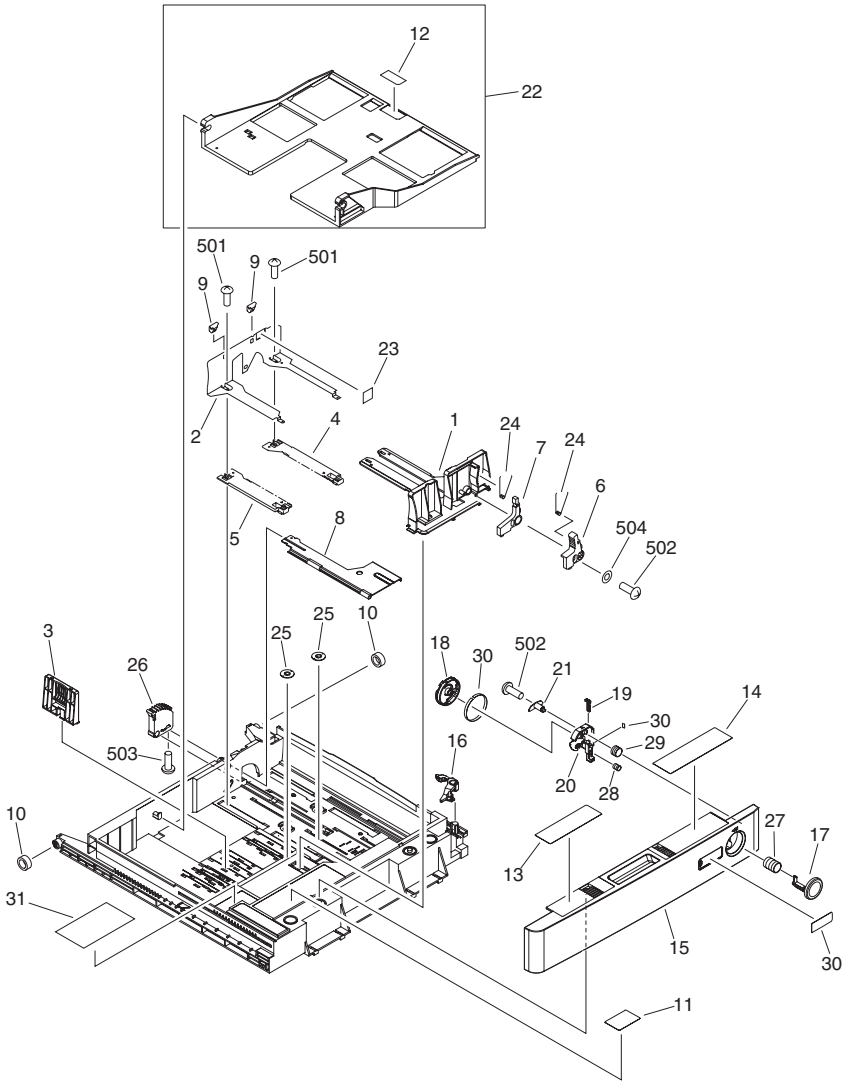


FIGURE & KEY NO.	PARTS NUMBER	RANK	Q'TY	DESCRIPTION	SERIAL NUMBER/REMARKS	SVC
Fig.301	NPN		RF	CASSETTE	LARGE	
1	FB6-3478-000		1	PLATE, SIDE GUIDE, FRONT		
2	FB6-3479-000		1	PLATE, SIDE GUIDE, REAR		
3	FB6-3480-000		1	PLATE, END GUIDE		
4	FB6-3481-000		1	RACK, 1		
5	FB6-3482-000		1	RACK, 2		
6	FB6-3483-000		1	KNOB, SIDE GUIDE PLATE, 1		
7	FB6-3484-000		1	KNOB, SIDE GUIDE PLATE, 2		
8	FB6-3486-000		1	PLATE, LIFTER		
9	FB6-3490-000		2	CLAW, SIDE PLATE GUIDE		
10	FB6-3506-000		2	COLLAR, CASSETTE SWING		
11	FC5-0583-000		1	LABEL, PAPER SET		
12	FB6-3499-000		1	SHEET, SEPARATION		
13	FC5-0584-000		1	LABEL, SIZE CHANGE		
14	FC5-0598-000		1	LABEL, DIAL SET		
15	FC5-0624-000		1	PANEL, CASSETTE FRONT		
16	FC5-0605-000		1	ARM, LOCK		
17	FC5-0637-000		1	BUTTON, PUSH		
18	FC5-1422-000		1	DIAL, SIZE DETECT		
19	FC5-1423-000		1	SLIDER, CONVERT		
20	FC5-1424-000		1	HOLDER, DIAL		
21	FC5-1425-000		1	PIN, FLOAT GUIDE		
22	FF6-2064-000		1	PLATE, PAPER LIFTING		
23	FS6-8116-000		1	LABEL, 'PAPER HEIGHT'		
24	FS7-2805-000		2	SPRING, TORSION		
25	FU3-0293-000		2	GEAR, 16T		
26	FU3-0294-000		1	GEAR, 7T		
27	FU5-2033-000		1	SPRING, COMPRESSION		
28	FU5-2097-000		1	SPRING, COMPRESSION		
29	FU5-2104-000		1	SPRING, COMPRESSION		
30	FC5-0597-000		1	LABEL, CASSETTE SIZE		
31	FB6-3524-000		1	LABEL, PAPER SIZE SELECT		

FIGURE & KEY NO.	PARTS NUMBER	R A N K	Q'TY	DESCRIPTION	SERIAL NUMBER/ REMARKS	S V C
501	XB2-8300-607		AR	SCREW,W/WASHER,M3X6		
502	XB4-5300-807		AR	SCREW,P,M3X8		
503	XB6-7300-807		AR	SCREW,TP,M3X8		
504	XD1-1104-135		AR	SHIM		

FIGURE 310
PAPER PICK-UP ASSEMBLY (MIDDLE)

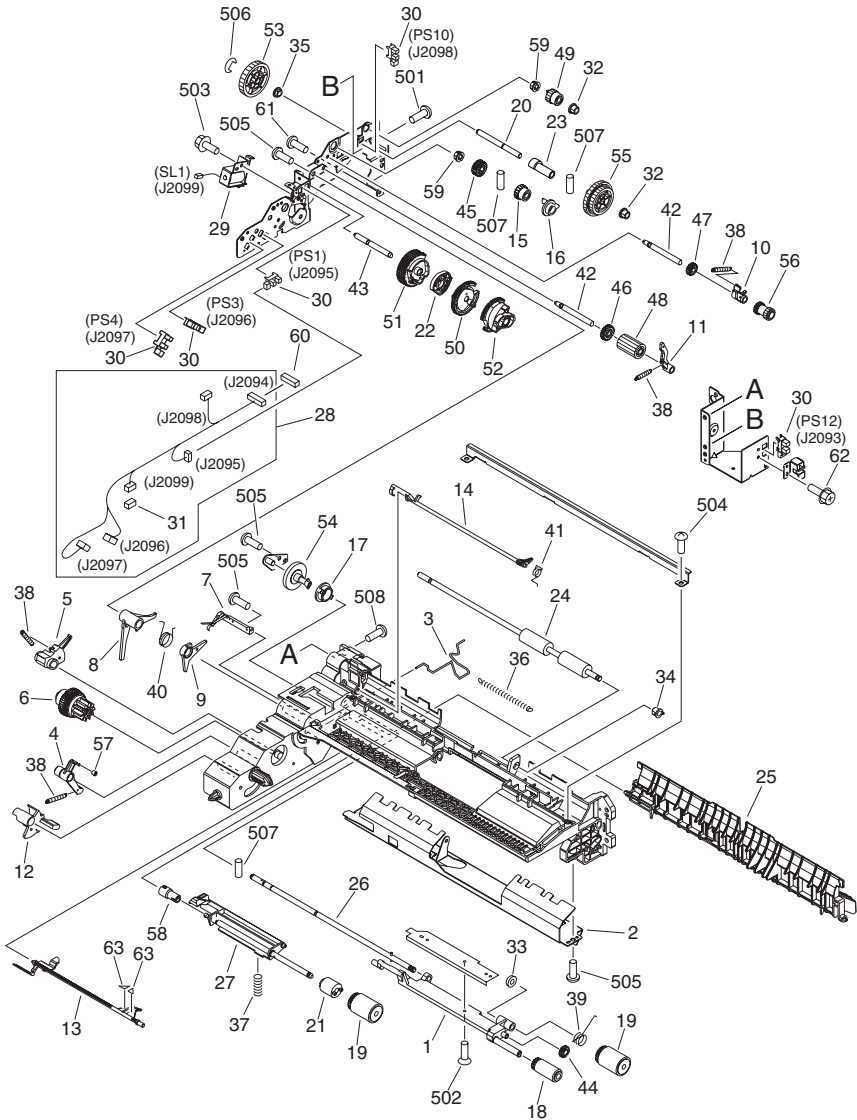


FIGURE & KEY NO.	PARTS NUMBER	RANK	Q'TY	DESCRIPTION	SERIAL NUMBER/REMARKS	SVC
Fig.310	FM2-1577-000		1	PAPER PICK-UP ASSEMBLY	MIDDLE	
1	FB6-3380-000		1	HOLDER, PAPER PICK-UP ROLLER		
2	FB6-3386-000		1	GUIDE, RETARD		
3	FB6-3388-000		1	ROD, SEPARATION ROLLER RELEASE		
4	FB6-3389-000		1	CLAW, PICK-UP		
5	FB6-3390-000		1	CLAW, PAPER PICK-UP		
6	FB6-3391-000		1	GEAR, RATCHET		
7	FB6-3392-000		1	SPRING, LEAF		
8	FB6-3393-000		1	ARM, PICK-UP		
9	FB6-3394-000		1	ARM, LIFTING		
10	FB6-3395-000		1	ARM, PAPER FEED SHAFT		
11	FB6-3396-000		1	LOCK, PICK-UP		
12	FB6-3397-000		1	FLAG, PAPER SENSOR		
13	FB6-3398-020		1	FLAG, PAPER DETECT SENSOR		
14	FB6-3399-000		1	FLAG, REGISTRATION SENSOR		
15	FB6-3402-000		1	GEAR, RATCHET		
16	FB6-3403-000		1	COUPLING, FEED SHAFT STOP		
17	FB6-3404-000		1	COUPLING, SEPARATION SHAFT		
18	FB6-3405-000		1	ROLLER, PAPER PICK-UP		
19	FC5-6934-000		2	ROLLER, FEED/SEPARATION		
20	FB6-3408-000		1	SHAFT, PAPER PICK-UP DRIVE		
21	FB6-3410-000		1	LIMITER, TORQUE		
22	FB6-3411-000		1	CAM, LOCK		
23	FB6-3413-000		1	COLLAR, PAPER PICK-UP SHAFT		
24	FB6-4852-000		1	ROLLER, VERTICAL PATH		
25	FC5-0595-000		1	GUIDE, VERTICAL PATH		
26	FF6-2058-000		1	SHAFT, PAPER FEED ROLLER		
27	FF6-2059-000		1	HOLDER, SEPARATION ROLLER		
28	FG3-2302-000		1	CABLE, PAPER PICK-UP	J2094-2099	
29	FH6-5055-000		1	SOLENOID	SL1 J2099	
30	FH7-7312-000		5	PHOTO-INTERRUPTER	PS1,3,4,10,12 J2095,2096,2097,2098 J2093	

FIGURE & KEY NO.	PARTS NUMBER	R A N K	Q'TY	DESCRIPTION	SERIAL NUMBER/ REMARKS	S V C
31	VS1-5057-002		1	CONNECTOR, SNAP TIGHT	J2099	
32	FS1-1205-000		2	BUSHING		
33	FS1-1213-000		1	BUSHING		
34	FS5-1597-000		1	BUSHING		
35	FS6-1063-000		1	BUSHING		
36	FS7-2797-000		1	SPRING, TENSION		
37	FS7-2798-000		1	SPRING, COMPRESSION		
38	FS7-2800-000		4	SPRING, TENSION		
39	FS7-2801-000		1	SPRING, TORSION		
40	FS7-2802-000		1	SPRING, TORSION		
41	FS7-2803-000		1	SPRING, TORSION		
42	FS7-5909-000		2	SHAFT, IDLER, 2		
43	FS7-5910-000		1	SHAFT, IDLER, 3		
44	FU3-0280-000		1	GEAR, 15T		
45	FU3-0282-000		1	GEAR, 21T		
46	FU3-0283-000		1	GEAR, 21T		
47	FU3-0284-000		1	GEAR, 16T		
48	FU3-0288-000		1	GEAR, 21T		
49	FU3-0289-000		1	GEAR, 14T		
50	FU3-0290-000		1	GEAR, 46T		
51	FU3-0291-000		1	GEAR, 51T		
52	FU3-0292-000		1	GEAR, 42T		
53	FU3-0347-000		1	GEAR, 41T		
54	FU3-0349-000		1	GEAR, 41T		
55	FU3-0350-000		1	GEAR, 41T/41T		
56	FU3-0352-000		1	GEAR, 16T/16T		
57	RB1-6539-000		1	DAMPER		
58	RB1-8945-000		1	JOINT		
59	RS5-1567-000		2	BUSHING		
60	VS1-6318-014		1	CONNECTOR, SNAP TIGHT	J2094	
61	XA9-0962-000		1	SCREW,RS,M3X10		
62	XA9-1386-000		1	SCREW,RS,M3X8		

FIGURE & KEY NO.	PARTS NUMBER	R A N K	Q'TY	DESCRIPTION	SERIAL NUMBER/ REMARKS	S V C
63	FA9-4033-000		2	WEIGHT, SENSOR FLAG		
501	XB1-2300-807		AR	SCREW,MACH.,TRUSS HEAD,M3X8		
502	XB1-3300-607		AR	SCREW,MACH.,C.S.HEAD,M3X6		
503	XB3-6300-600		AR	SCREW,RS,M3X6		
504	XB4-5400-807		AR	SCREW,P,M4X8		
505	XB4-5401-207		AR	SCREW,P,M4X12		
506	XD2-1100-502		AR	RING,E		
507	XD3-2200-122		AR	PIN,DOWEL		
508	XB1-2400-607		AR	SCREW,MACH.,TRUSS HEAD,M4X6		

FIGURE 311
PAPER PICK-UP ASSEMBLY (LARGE)

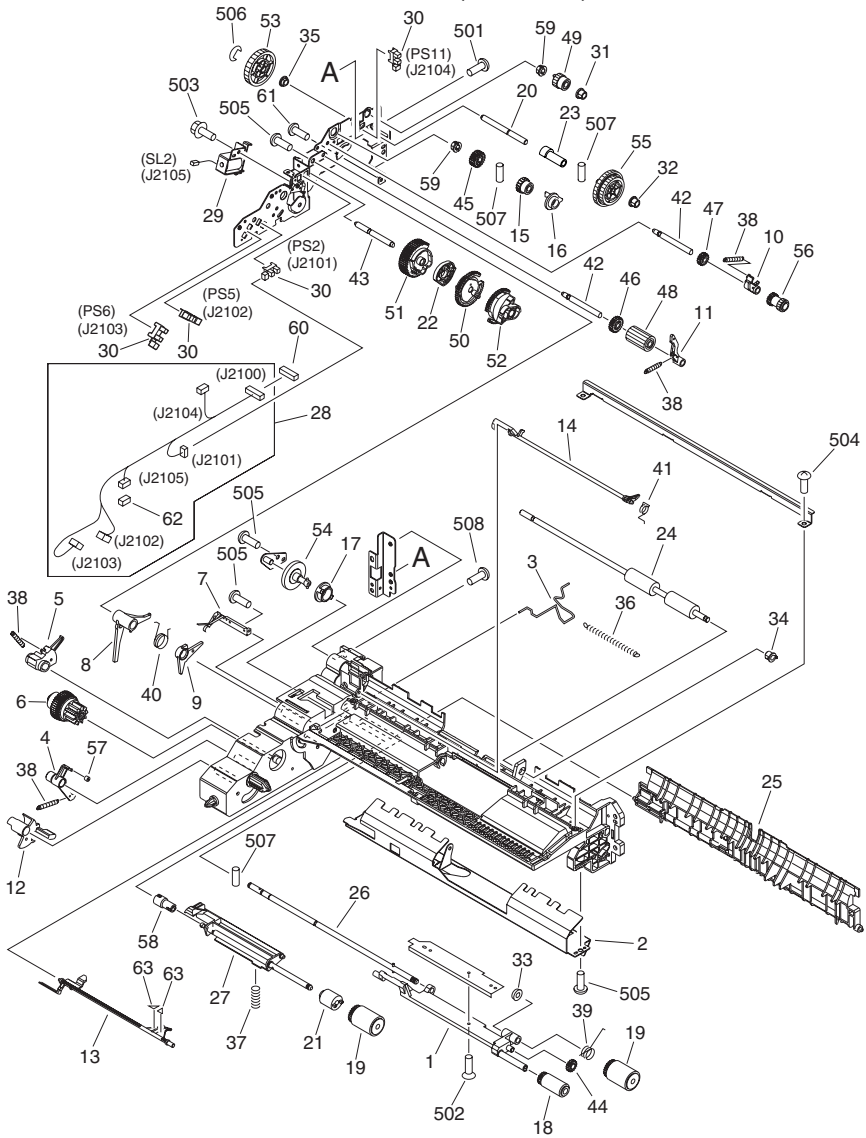
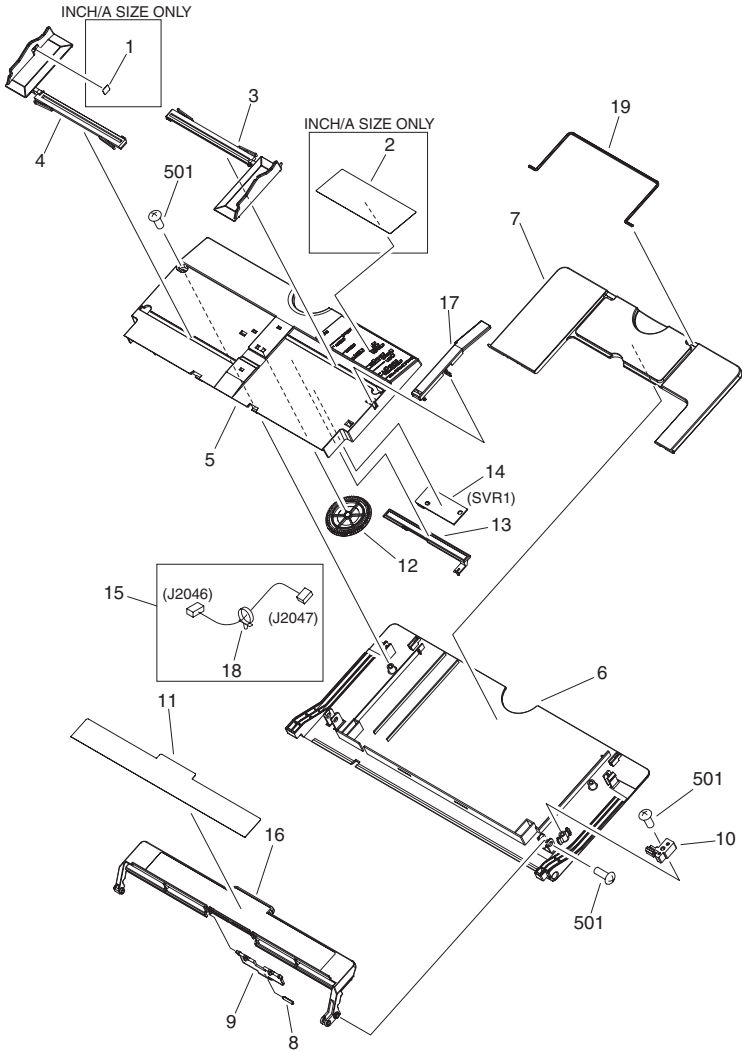


FIGURE & KEY NO.	PARTS NUMBER	RANK	Q'TY	DESCRIPTION	SERIAL NUMBER/REMARKS	SVC
Fig.311	FM2-1578-000		1	PAPER PICK-UP ASSEMBLY	LARGE	
1	FB6-3380-000		1	HOLDER, PAPER PICK-UP ROLLER		
2	FB6-3386-000		1	GUIDE, RETARD		
3	FB6-3388-000		1	ROD, SEPARATION ROLLER RELEASE		
4	FB6-3389-000		1	CLAW, PICK-UP		
5	FB6-3390-000		1	CLAW, PAPER PICK-UP		
6	FB6-3391-000		1	GEAR, RATCHET		
7	FB6-3392-000		1	SPRING, LEAF		
8	FB6-3393-000		1	ARM, PICK-UP		
9	FB6-3394-000		1	ARM, LIFTING		
10	FB6-3395-000		1	ARM, PAPER FEED SHAFT		
11	FB6-3396-000		1	LOCK, PICK-UP		
12	FB6-3397-000		1	FLAG, PAPER SENSOR		
13	FB6-3398-020		1	FLAG, PAPER DETECT SENSOR		
14	FB6-3399-000		1	FLAG, REGISTRATION SENSOR		
15	FB6-3402-000		1	GEAR, RATCHET		
16	FB6-3403-000		1	COUPLING, FEED SHAFT STOP		
17	FB6-3404-000		1	COUPLING, SEPARATION SHAFT		
18	FB6-3405-000		1	ROLLER, PAPER PICK-UP		
19	FC5-6934-000		2	ROLLER, FEED/SEPARATION		
20	FB6-3408-000		1	SHAFT, PAPER PICK-UP DRIVE		
21	FB6-3410-000		1	LIMITER, TORQUE		
22	FB6-3411-000		1	CAM, LOCK		
23	FB6-3413-000		1	COLLAR, PAPER PICK-UP SHAFT		
24	FB6-4852-000		1	ROLLER, VERTICAL PATH		
25	FB6-3387-000		1	GUIDE, VERTICAL PATH		
26	FF6-2058-000		1	SHAFT, PAPER FEED ROLLER		
27	FF6-2059-000		1	HOLDER, SEPARATION ROLLER		
28	FG3-2302-000		1	CABLE, PAPER PICK-UP	J2100-2105	
29	FH6-5055-000		1	SOLENOID	SL2 J2105	
30	FH7-7312-000		4	PHOTO-INTERRUPTER	PS2,5,6,11 J2101,2102,2103,2104	
31	FS1-1187-000		1	BUSHING		

FIGURE & KEY NO.	PARTS NUMBER	RANK	Q'TY	DESCRIPTION	SERIAL NUMBER/REMARKS	SVC
32	FS1-1205-000		1	BUSHING		
33	FS1-1213-000		1	BUSHING		
34	FS5-1597-000		1	BUSHING		
35	FS6-1063-000		1	BUSHING		
36	FS7-2797-000		1	SPRING, TENSION		
37	FS7-2798-000		1	SPRING, COMPRESSION		
38	FS7-2800-000		4	SPRING, TENSION		
39	FS7-2801-000		1	SPRING, TORSION		
40	FS7-2802-000		1	SPRING, TORSION		
41	FS7-2803-000		1	SPRING, TORSION		
42	FS7-5909-000		2	SHAFT, IDLER, 2		
43	FS7-5910-000		1	SHAFT, IDLER, 3		
44	FU3-0280-000		1	GEAR, 15T		
45	FU3-0282-000		1	GEAR, 21T		
46	FU3-0283-000		1	GEAR, 21T		
47	FU3-0284-000		1	GEAR, 16T		
48	FU3-0288-000		1	GEAR, 21T		
49	FU3-0289-000		1	GEAR, 14T		
50	FU3-0290-000		1	GEAR, 46T		
51	FU3-0291-000		1	GEAR, 51T		
52	FU3-0292-000		1	GEAR, 42T		
53	FU3-0347-000		1	GEAR, 41T		
54	FU3-0349-000		1	GEAR, 41T		
55	FU3-0350-000		1	GEAR, 41T/41T		
56	FU3-0352-000		1	GEAR, 16T/16T		
57	RB1-6539-000		1	DAMPER		
58	RB1-8945-000		1	JOINT		
59	RS5-1567-000		2	BUSHING		
60	VS1-6318-014		1	CONNECTOR, SNAP TIGHT	J2100	
61	XA9-0656-000		1	SCREW,RS,M3X10		
62	VS1-5057-002		1	CONNECTOR, SNAP TIGHT	J2105	
63	FA9-4033-000		2	WEIGHT, SENSOR FLAG		

FIGURE & KEY NO.	PARTS NUMBER	RANK	Q'TY	DESCRIPTION	SERIAL NUMBER/REMARKS	SVC
501	XB1-2300-807		AR	SCREW,MACH.,TRUSS HEAD,M3X8		
502	XB1-3300-607		AR	SCREW,MACH.,C.S.HEAD,M3X6		
503	XB3-6300-600		AR	SCREW,RS,M3X6		
504	XB4-5400-807		AR	SCREW,P,M4X8		
505	XB4-5401-207		AR	SCREW,P,M4X12		
506	XD2-1100-502		AR	RING,E		
507	XD3-2200-122		AR	PIN,DOWEL		
508	XB1-2400-607		AR	SCREW,MACH.,TRUSS HEAD,M4X6		

FIGURE 315 MULTI FEED TRAY ASSEMBLY



NOTE 1 : This assembly is included in the assembly shown in Figure 140.
 NOTE 2 : This assembly does not include the part shown with key No. 1, 2 and 17.
 注 1 : このユニットはFigure 140のユニットに含まれます。
 注 2 : このユニットにKey No. 1, 2, 17の部品は含まれません。

FIGURE & KEY NO.	PARTS NUMBER	RANK	Q'TY	DESCRIPTION	SERIAL NUMBER/REMARKS	SVC
Fig.315	FM2-0112-000		1	MULTI FEED TRAY ASSEMBLY	SEE NOTE 1	
1	FC5-0544-000		1	LABEL, MAXIMUM LOAD	SEE NOTE 2 INCH/A SIZE ONLY	
2	FC5-0545-000		1	LABEL, PAPER SIZE	SEE NOTE 2 INCH/A SIZE ONLY	
3	FC5-0477-000		1	PLATE, PAPER SIDE END, FRONT		
4	FC5-0478-000		1	PLATE, PAPER SIDE END, REAR		
5	FC5-0479-000		1	TRAY, MULTI FEED, UPPER		
6	FC5-0480-000		1	TRAY, MULTI FEED, LOWER		
7	FC5-0481-000		1	TRAY, MULTI FEED AUXILIARY		
8	FC5-0497-000		1	ROLLER, NEEDLE		
9	FC5-0526-000		1	STOPPER, MULTI FEED SHEET		
10	FC5-0527-000		1	STOPPER, MULTI FEED HANDLE		
11	FC5-0541-000		1	LABEL, PAPER SET INDICATION		
12	FU5-0062-000		1	GEAR, 18T/62T		
13	FU5-0063-000		1	RACK, MULTI FEED SIZE DETECT		
14	FG3-2800-000		1	MULTI FEED SIZE PCB ASSEMBLY	SVR1	
15	FG3-3187-000		1	CABLE, PAPER WIDTH SENSOR	J2046,2047	
16	FC5-0520-000		1	LEVER, MULTI FEED		
17	FC5-0530-000		1	COVER	SEE NOTE 2	
18	WT2-5565-000		2	CLAMP, CABLE		
19	FC5-0546-000		1	TRAY, WIRE AUXILIARY		
501	XB4-5401-007		AR	SCREW,P,M4X10		

FIGURE 350 PAPER DELIVERY ASSEMBLY

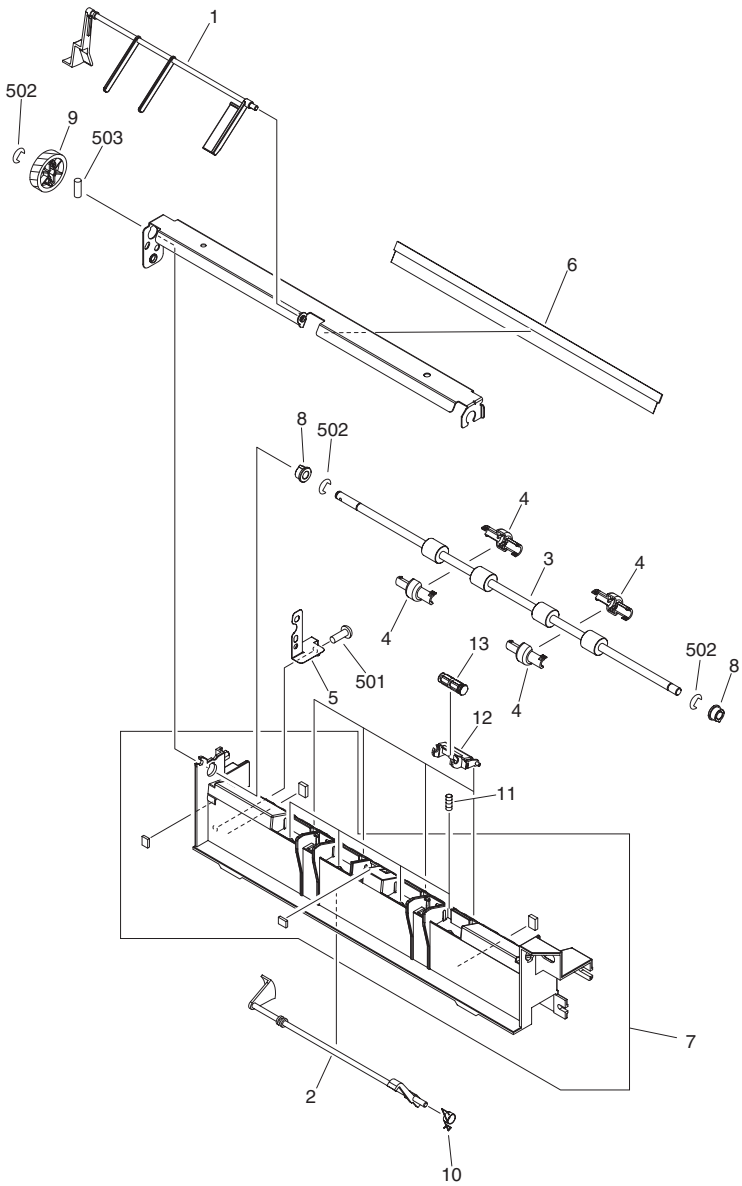


FIGURE & KEY NO.	PARTS NUMBER	R A N K	Q'TY	DESCRIPTION	SERIAL NUMBER/ REMARKS	S V C
Fig.350	FM2-0186-000		1	PAPER DELIVERY ASSEMBLY		
1	FC5-0798-000		1	FLAG, FULL DETECT		
2	FC5-0799-000		1	FLAG, 1ST DELIVERY SENSOR		
3	FC5-0800-000		1	ROLLER, PAPER DELIVERY		
4	FC5-0805-000		4	ROLLER, REFORM		
5	FC5-0806-000		1	PLATE, GROUNDING		
6	FB5-4858-000		1	ELIMINATOR, STATIC CHARGE		
7	FL2-0178-000		1	GUIDE, PAPER DELIVERY		
8	FS5-1943-000		2	BUSHING		
9	FU5-0128-000		1	GEAR, 35T		
10	FU5-2068-000		1	SPRING, TORSION		
11	FU5-2074-000		4	SPRING, COMPRESSION		
12	FB5-4896-000		4	HOLDER, ROLLER		
13	FM2-0177-000		4	O RING ROLLER UNIT		
501	XB4-5400-807		AR	SCREW,P,M4X8		
502	XD2-1100-502		AR	RING,E		
503	XD3-2200-162		AR	PIN,DOWEL		

FIGURE 460 LASER SCANNER ASSEMBLY

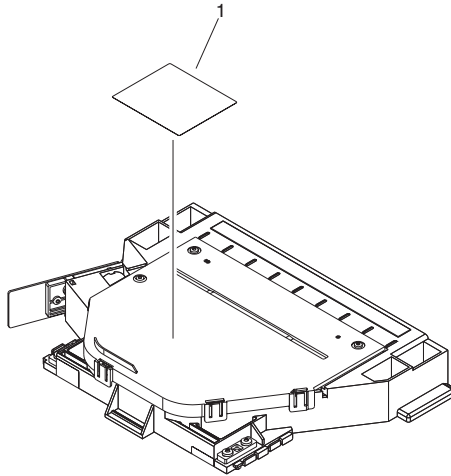


FIGURE & KEY NO.	PARTS NUMBER	RANK	Q'TY	DESCRIPTION	SERIAL NUMBER/REMARKS	SVC
Fig.460	FM2-0041-000		1	LASER SCANNER ASSEMBLY		
1	RS6-8382-000		1	LABEL, 'WARNING LASER'		

FIGURE 535
TRANSFER BELT FRAME ASSEMBLY

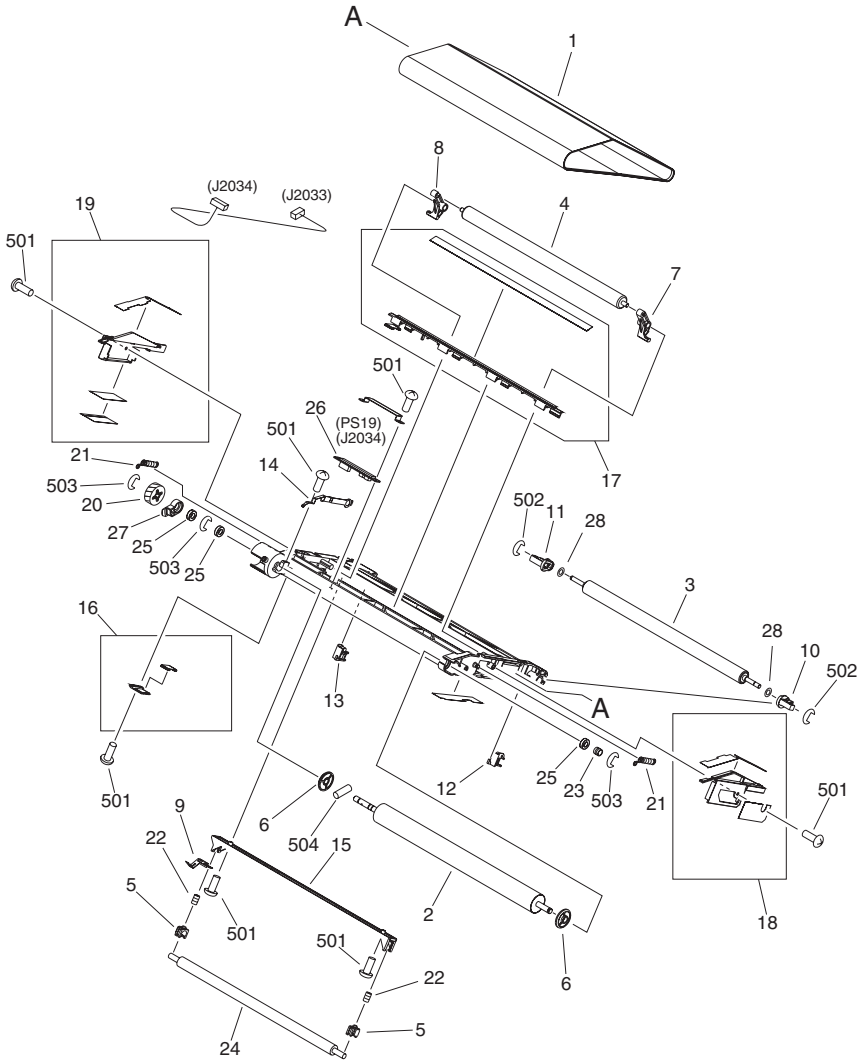


FIGURE & KEY NO.	PARTS NUMBER	R A N K	Q'TY	DESCRIPTION	SERIAL NUMBER/ REMARKS	S V C
Fig.535	FM2-0081-000		1	INTER. TRANSFER BELT ASSEMBLY		
1	FC5-0334-000		1	BELT, TRANSFER		
2	FC5-6576-000		1	ROLLER, DRIVE		
3	FC5-0337-000		1	ROLLER, INSIDE		
4	FC5-0338-000		1	ROLLER, TENSION		
5	FC5-0341-000		2	BUSHING		
6	FC5-0342-000		2	FLANGE, RIB LIMIT		
7	FC5-0343-000		1	ARM, TENSION, FRONT		
8	FC5-0344-000		1	ARM, TENSION, REAR		
9	FC5-0351-000		1	TERMINAL, 1ST TRANSFER H.V.		
10	FC5-0389-000		1	BUSHING		
11	FC5-0390-000		1	BUSHING		
12	FC5-0463-000		1	BLOCK, ROLLER SUPPORT, FRONT		
13	FC5-0464-000		1	BLOCK, ROLLER SUPPORT, REAR		
14	FC5-0715-000		1	PLATE, GROUNDING		
15	FC5-0721-000		1	HOLDER, 1ST TRANSFER		
16	FL2-0076-000		1	HOLDER, BACKUP		
17	FL2-0079-000		1	BLADE, INSIDE		
18	FL2-0081-000		1	BASE, SHEET, FRONT		
19	FL2-0082-000		1	BASE, SHEET, REAR		
20	FU5-0963-000		1	GEAR, 32T		
21	FU5-2049-000		2	SPRING, TENSION		
22	FU5-2050-000		2	SPRING, COMPRESSION		
23	FU5-2052-000		1	SPRING, COMPRESSION		
24	FC5-6920-000		1	ROLLER, TRANSFER		
25	XG9-0511-000		3	BEARING, BALL		
26	FH7-7630-000		1	SENSOR UNIT, PHOTO MICRO	PS19 J2034	
27	FC5-6541-000		1	SUPPORT, SHAFT GAP FIXED		
28	XD1-1106-219		2	SHIM		
501	XB4-5301-007		AR	SCREW,P,M3X10		
502	XD2-1100-502		AR	RING,E		
503	XD2-1100-642		AR	RING,E		

FIGURE & KEY NO.	PARTS NUMBER	R A N K	Q'TY	DESCRIPTION	SERIAL NUMBER/ REMARKS	S V C
504	XD3-2200-162		AR	PIN,DOWEL		

FIGURE 630
ROTARY ASSEMBLY

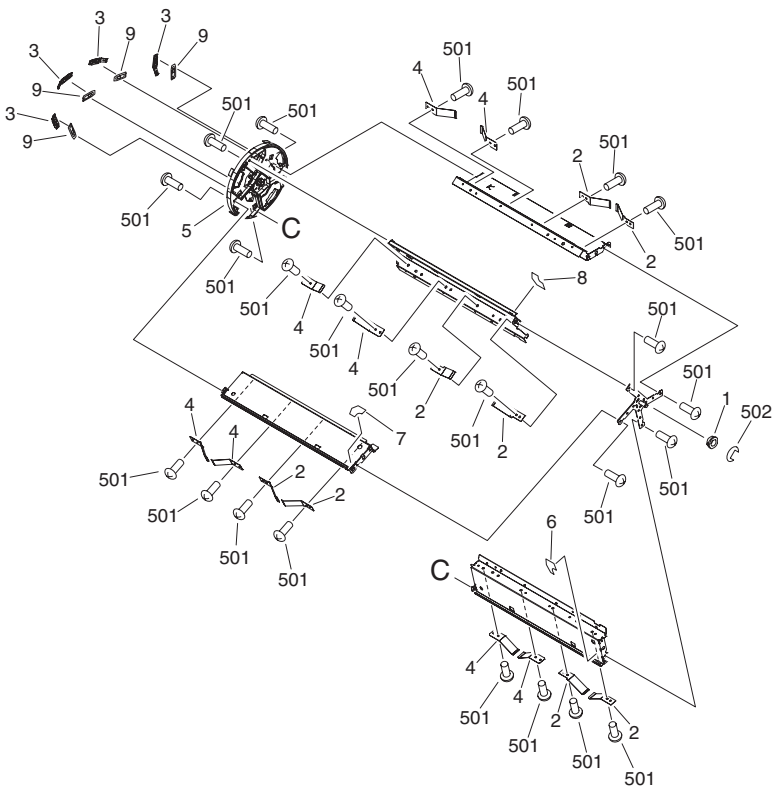


FIGURE & KEY NO.	PARTS NUMBER	R A N K	Q'TY	DESCRIPTION	SERIAL NUMBER/ REMARKS	S V C
Fig.630	NPN		RF	ROTARY ASSEMBLY		
1	FA9-2112-000		1	BUSHING		
2	FC5-0298-000		8	SPRING, LEAF		
3	FC5-0301-000		4	TERMINAL, ROTARY		
4	FC5-0310-000		8	SPRING, LEAF		
5	FC5-0299-000		1	FLANGE, ROTARY, REAR		
6	FC5-6542-000		1	LABEL, CARTRIDGE LOCK POSITION		
7	FC5-6543-000		1	LABEL, CARTRIDGE LOCK POSITION		
8	FC5-6544-000		1	LABEL, CARTRIDGE LOCK POSITION		
9	FC5-6910-000		4	SPRING, LEAF		
501	XB6-7300-607		AR	SCREW,TP,M3X6		
502	XD2-1100-642		AR	RING,E		

FIGURE 640
DEVELOPING ASSEMBLY (BLACK)

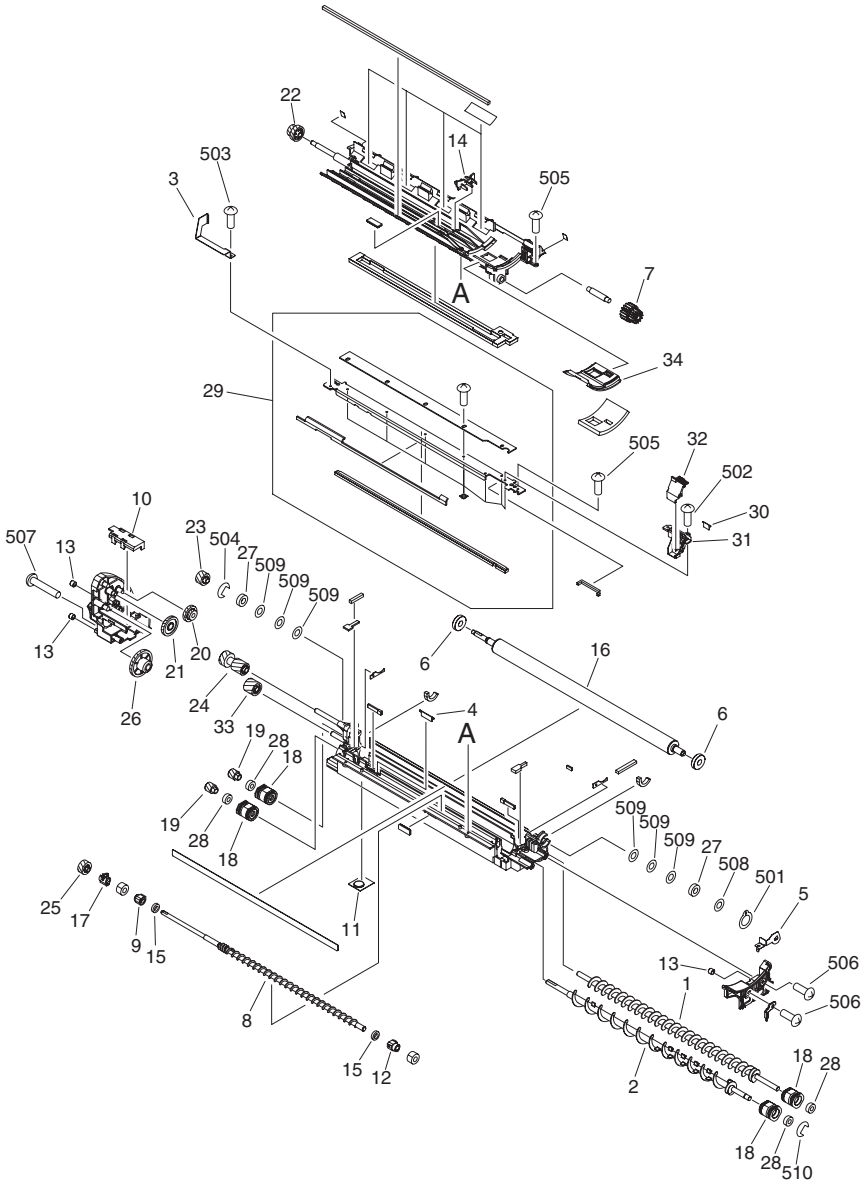


FIGURE & KEY NO.	PARTS NUMBER	RANK	Q'TY	DESCRIPTION	SERIAL NUMBER/REMARKS	SVC
Fig.640	FM2-0056-000		1	DEVELOPING ASSEMBLY	BLACK	
1	FC5-0226-000		1	FEEDSCREW, TONER, 1		
2	FC5-0227-000		1	FEEDSCREW, TONER, 2		
3	FC5-0228-000		1	TERMINAL, BIAS, 1		
4	FC5-0233-000		1	SHUTTER, SUPPLY		
5	FC5-0234-000		1	PLATE, TERMINAL, 1		
6	FC5-0238-000		2	ROLLER, SD		
7	FC5-0240-000		1	GEAR, 16T/13T		
8	FC5-0241-000		1	FEEDSCREW, TONER		
9	FC5-0242-000		1	BUSHING		
10	FC5-0284-000		1	COVER, BIAS		
11	FC5-0328-000		1	LID, DEVELOPING CASE		
12	FC5-0461-000		1	BUSHING		
13	FC5-5490-000		3	ROLLER, DEV. CASE, 1		
14	FC5-5500-000		1	BLOCK, NOT COMPATIBLE, BLACK		
15	XG9-0111-000		2	SEAL, OIL		
16	FL2-0065-000		1	CYLINDER, DEVELOPING		
17	FC5-6571-000		1	BRAKE, SUPPLY SCREW		
18	FL2-0059-000		4	BUSHING		
19	FU5-0045-000		2	GEAR, 17T		
20	FU5-0046-000		1	GEAR, 28T/17T		
21	FU5-0047-000		1	GEAR, 16T/35T		
22	FU5-0048-000		1	GEAR, 31T/19T		
23	FU5-0050-000		1	GEAR, 21T		
24	FU5-0051-000		1	GEAR, 16T/21T		
25	FU5-0052-000		1	GEAR, 14T		
26	FU5-0070-000		1	GEAR, 43T/15T		
27	XG9-0491-000		2	BEARING, BALL		
28	XG9-0495-000		4	BEARING, BALL, 686ADDMC3 D4ML		
29	FM2-0064-000		1	DEVELOPING BLADE ASSEMBLY		
30	FC5-0279-000		1	VALVE, COLLECTION		
31	FC5-0289-000		1	NOZZLE, COLLECTION		

FIGURE & KEY NO.	PARTS NUMBER	RANK	Q'TY	DESCRIPTION	SERIAL NUMBER/REMARKS	SVC
32	FC5-0293-000		1	COVER, COLLECTION		
33	FU5-0049-000		1	GEAR, 27T		
501	XD2-2100-602		AR	RING,GRIP		
502	XB1-2300-402		AR	SCREW,MACH.,TRUSS HEAD,M3X4		
503	XB2-8300-607		AR	SCREW,W/WASHER,M3X6		
504	XD2-1100-642		AR	RING,E		
505	XB4-5300-809		AR	SCREW,P,M3X8		
506	XB4-5301-007		AR	SCREW,P,M3X10		
507	XB4-5303-009		AR	SCREW,P,M3X30		
508	XD1-1108-215		AR	SHIM		
509	XD1-1108-218		AR	SHIM		
510	XD2-1100-502		AR	RING,E		

FIGURE 641
DEVELOPING ASSEMBLY (YELLOW)

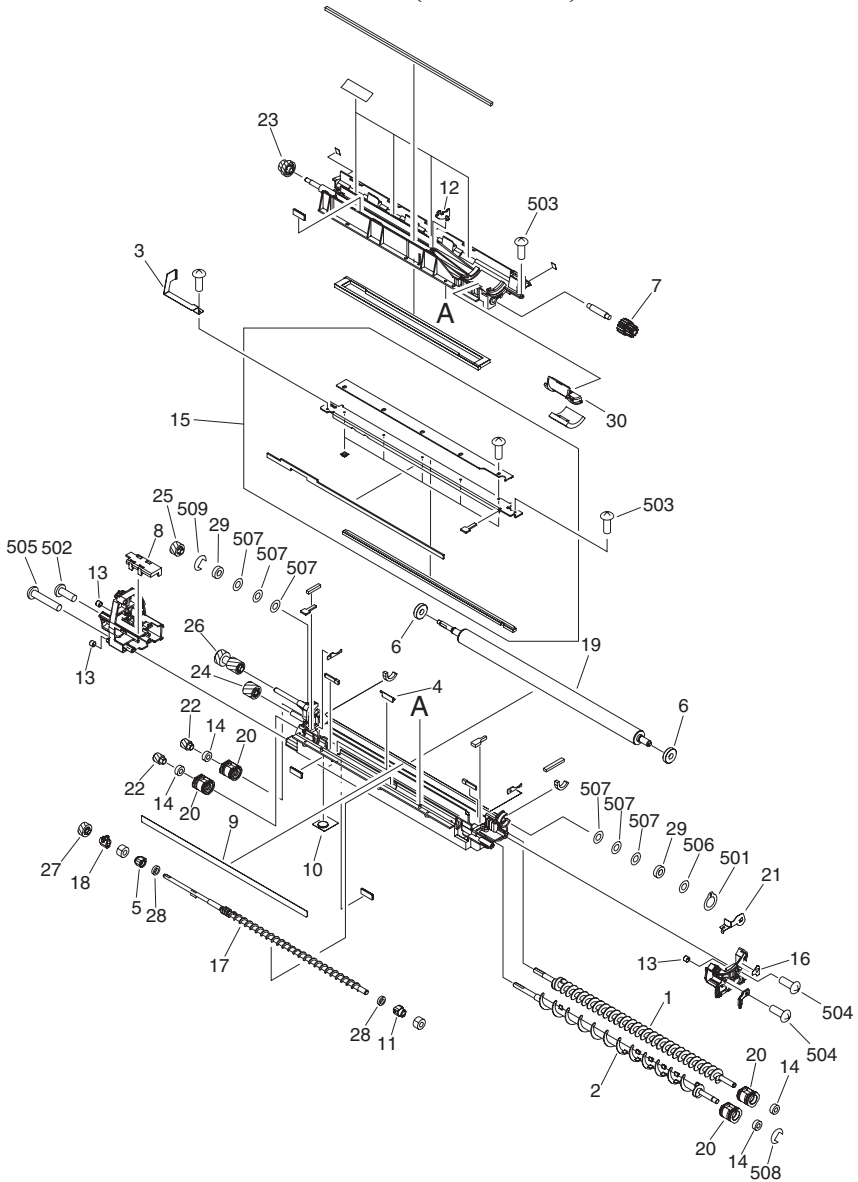


FIGURE & KEY NO.	PARTS NUMBER	R A N K	Q'TY	DESCRIPTION	SERIAL NUMBER/ REMARKS	S V C
Fig.641	FM2-0057-000		1	DEVELOPING ASSEMBLY	YELLOW	
1	FC5-0226-000		1	FEEDSCREW, TONER, 1		
2	FC5-0227-000		1	FEEDSCREW, TONER, 2		
3	FC5-0228-000		1	TERMINAL, BIAS, 1		
4	FC5-0233-000		1	SHUTTER, SUPPLY		
5	FC5-0242-000		1	BUSHING		
6	FC5-0271-000		2	ROLLER, SD		
7	FC5-0273-000		1	GEAR, 11T/14T		
8	FC5-0284-000		1	COVER, BIAS		
9	FC5-0286-000		1	PLATE, CARRIER RETAINING		
10	FC5-0328-000		1	LID, DEVELOPING CASE		
11	FC5-0461-000		1	BUSHING		
12	FC5-5475-000		1	BLOCK, NOT COMPATIBLE, YELLOW		
13	FC5-5490-000		3	ROLLER, DEV. CASE, 1		
14	XG9-0495-000		4	BEARING, BALL, 686ADDMC3 D4ML		
15	FM2-0065-000		1	DEVELOPING BLADE ASSEMBLY		
16	FC5-6542-000		1	LABEL, CARTRIDGE LOCK POSITION		
17	FC5-6568-000		1	FEEDSCREW, TONER		
18	FC5-6571-000		1	BRAKE, SUPPLY SCREW		
19	FL2-0065-000		1	CYLINDER, DEVELOPING		
20	FL2-0059-000		4	BUSHING		
21	FC5-0234-000		1	PLATE, TERMINAL, 1		
22	FU5-0045-000		2	GEAR, 17T		
23	FU5-0048-000		1	GEAR, 31T/19T		
24	FU5-0049-000		1	GEAR, 27T		
25	FU5-0050-000		1	GEAR, 21T		
26	FU5-0051-000		1	GEAR, 16T/21T		
27	FU5-0052-000		1	GEAR, 14T		
28	XG9-0111-000		2	SEAL, OIL		
29	XG9-0491-000		2	BEARING, BALL		
501	XD2-2100-802		AR	RING,GRIP		
502	XB1-2300-609		AR	SCREW,MACH.,TRUSS HEAD,M3X6		

FIGURE & KEY NO.	PARTS NUMBER	R A N K	Q'TY	DESCRIPTION	SERIAL NUMBER/ REMARKS	S V C
503	XB4-5300-809		AR	SCREW,P,M3X8		
504	XB4-5301-007		AR	SCREW,P,M3X10		
505	XB4-5303-009		AR	SCREW,P,M3X30		
506	XD1-1108-215		AR	SHIM		
507	XD1-1108-218		AR	SHIM		
508	XD2-1100-502		AR	RING,E		
509	XD2-1100-642		AR	RING,E		

FIGURE 642
DEVELOPING ASSEMBLY (MAGENTA)

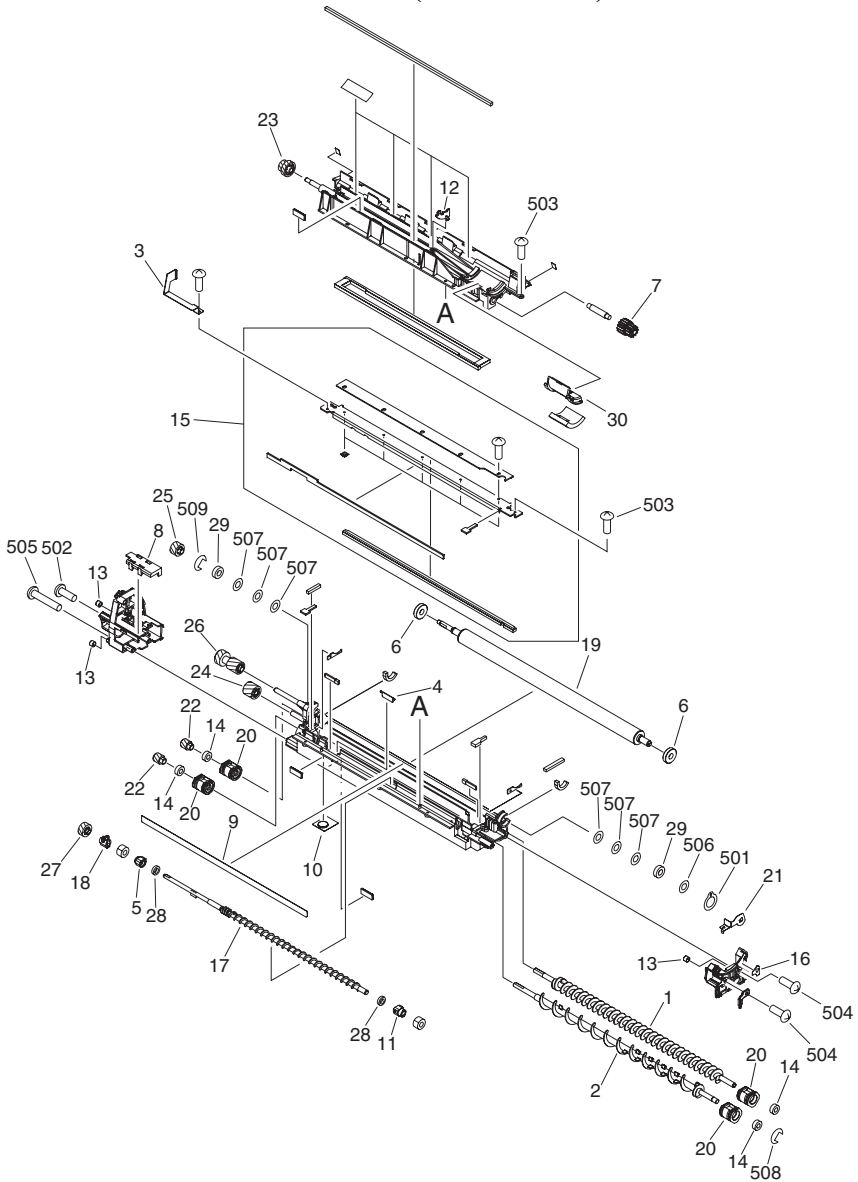


FIGURE & KEY NO.	PARTS NUMBER	RANK	Q'TY	DESCRIPTION	SERIAL NUMBER/REMARKS	SVC
Fig.642	FM2-0058-000		1	DEVELOPING ASSEMBLY	MAGENTA	
1	FC5-0226-000		1	FEEDSCREW, TONER, 1		
2	FC5-0227-000		1	FEEDSCREW, TONER, 2		
3	FC5-0228-000		1	TERMINAL, BIAS, 1		
4	FC5-0233-000		1	SHUTTER, SUPPLY		
5	FC5-0242-000		1	BUSHING		
6	FC5-0271-000		2	ROLLER, SD		
7	FC5-0273-000		1	GEAR, 11T/14T		
8	FC5-0284-000		1	COVER, BIAS		
9	FC5-0286-000		1	PLATE, CARRIER RETAINING		
10	FC5-0328-000		1	LID, DEVELOPING CASE		
11	FC5-0461-000		1	BUSHING		
12	FC5-5476-000		1	BLOCK, NOT COMPATIBLE, MAGENTA		
13	FC5-5490-000		3	ROLLER, DEV. CASE, 1		
14	XG9-0495-000		4	BEARING, BALL, 686ADDMC3 D4ML		
15	FM2-0065-000		1	DEVELOPING BLADE ASSEMBLY		
16	FC5-6543-000		1	LABEL, CARTRIDGE LOCK POSITION		
17	FC5-6568-000		1	FEEDSCREW, TONER		
18	FC5-6571-000		1	BRAKE, SUPPLY SCREW		
19	FL2-0065-000		1	CYLINDER, DEVELOPING		
20	FL2-0059-000		4	BUSHING		
21	FC5-0234-000		1	PLATE, TERMINAL, 1		
22	FU5-0045-000		2	GEAR, 17T		
23	FU5-0048-000		1	GEAR, 31T/19T		
24	FU5-0049-000		1	GEAR, 27T		
25	FU5-0050-000		1	GEAR, 21T		
26	FU5-0051-000		1	GEAR, 16T/21T		
27	FU5-0052-000		1	GEAR, 14T		
28	XG9-0111-000		2	SEAL, OIL		
29	XG9-0491-000		2	BEARING, BALL		
501	XD2-2100-802		AR	RING,GRIP		
502	XB1-2300-609		AR	SCREW,MACH.,TRUSS HEAD,M3X6		

FIGURE & KEY NO.	PARTS NUMBER	R A N K	Q'TY	DESCRIPTION	SERIAL NUMBER/ REMARKS	S V C
503	XB4-5300-809		AR	SCREW,P,M3X8		
504	XB4-5301-007		AR	SCREW,P,M3X10		
505	XB4-5303-009		AR	SCREW,P,M3X30		
506	XD1-1108-215		AR	SHIM		
507	XD1-1108-218		AR	SHIM		
508	XD2-1100-502		AR	RING,E		
509	XD2-1100-642		AR	RING,E		

FIGURE 643
DEVELOPING ASSEMBLY (CYAN)

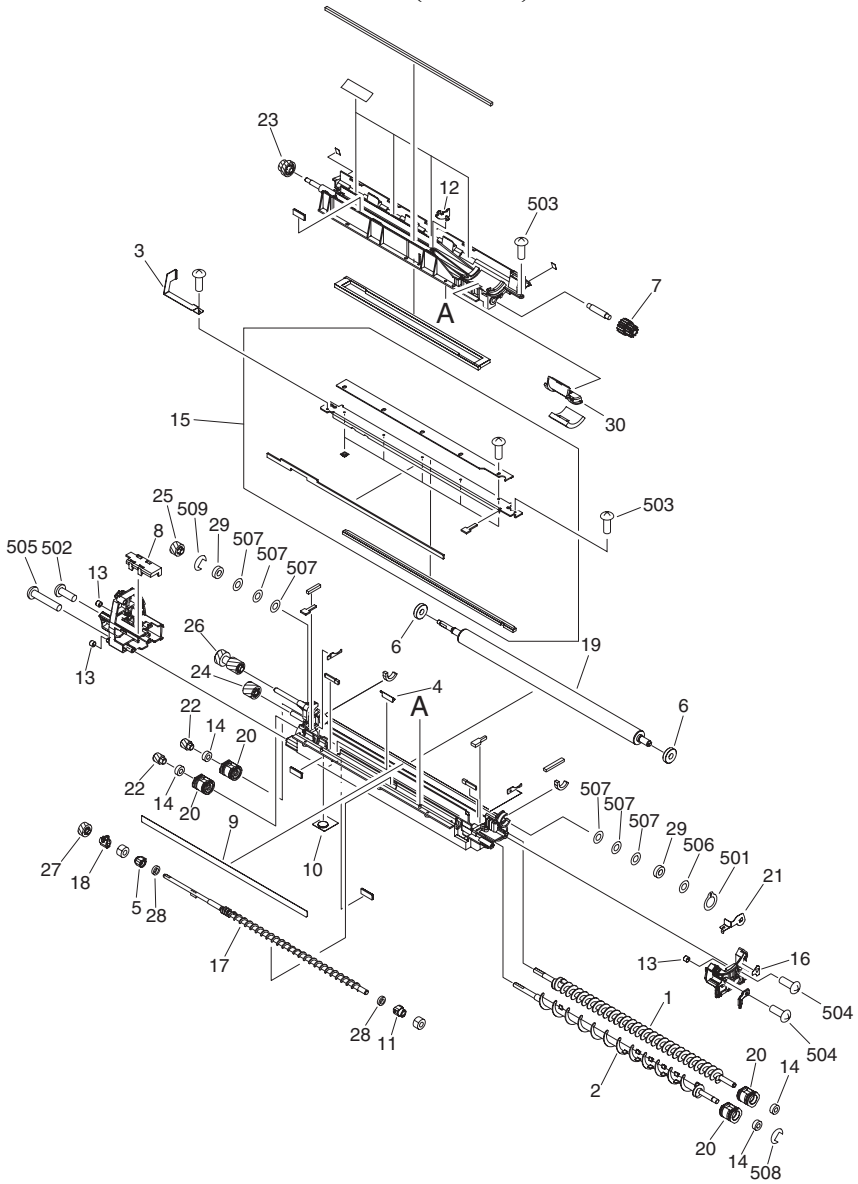


FIGURE & KEY NO.	PARTS NUMBER	R A N K	Q'TY	DESCRIPTION	SERIAL NUMBER/ REMARKS	S V C
Fig.643	FM2-0059-000		1	DEVELOPING ASSEMBLY	CYAN	
1	FC5-0226-000		1	FEEDSCREW, TONER, 1		
2	FC5-0227-000		1	FEEDSCREW, TONER, 2		
3	FC5-0228-000		1	TERMINAL, BIAS, 1		
4	FC5-0233-000		1	SHUTTER, SUPPLY		
5	FC5-0242-000		1	BUSHING		
6	FC5-0271-000		2	ROLLER, SD		
7	FC5-0273-000		1	GEAR, 11T/14T		
8	FC5-0284-000		1	COVER, BIAS		
9	FC5-0286-000		1	PLATE, CARRIER RETAINING		
10	FC5-0328-000		1	LID, DEVELOPING CASE		
11	FC5-0461-000		1	BUSHING		
12	FC5-5477-000		1	BLOCK, NOT COMPATIBLE, CYAN		
13	FC5-5490-000		3	ROLLER, DEV. CASE, 1		
14	XG9-0495-000		4	BEARING, BALL, 686ADDMC3 D4ML		
15	FM2-0065-000		1	DEVELOPING BLADE ASSEMBLY		
16	FC5-6544-000		1	LABEL, CARTRIDGE LOCK POSITION		
17	FC5-6568-000		1	FEEDSCREW, TONER		
18	FC5-6571-000		1	BRAKE, SUPPLY SCREW		
19	FL2-0065-000		1	CYLINDER, DEVELOPING		
20	FL2-0059-000		4	BUSHING		
21	FC5-0234-000		1	PLATE, TERMINAL, 1		
22	FU5-0045-000		2	GEAR, 17T		
23	FU5-0048-000		1	GEAR, 31T/19T		
24	FU5-0049-000		1	GEAR, 27T		
25	FU5-0050-000		1	GEAR, 21T		
26	FU5-0051-000		1	GEAR, 16T/21T		
27	FU5-0052-000		1	GEAR, 14T		
28	XG9-0111-000		2	SEAL, OIL		
29	XG9-0491-000		2	BEARING, BALL		
501	XD2-2100-802		AR	RING,GRIP		
502	XB1-2300-609		AR	SCREW,MACH.,TRUSS HEAD,M3X6		

FIGURE & KEY NO.	PARTS NUMBER	R A N K	Q'TY	DESCRIPTION	SERIAL NUMBER/ REMARKS	S V C
503	XB4-5300-809		AR	SCREW,P,M3X8		
504	XB4-5301-007		AR	SCREW,P,M3X10		
505	XB4-5303-009		AR	SCREW,P,M3X30		
506	XD1-1108-215		AR	SHIM		
507	XD1-1108-218		AR	SHIM		
508	XD2-1100-502		AR	RING,E		
509	XD2-1100-642		AR	RING,E		

FIGURE 680 ATR SENSOR ASSEMBLY

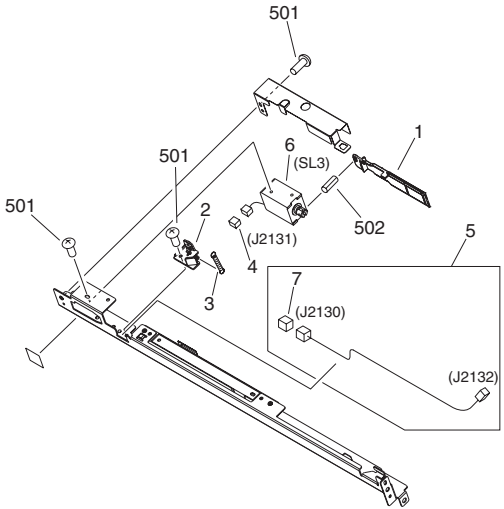


FIGURE & KEY NO.	PARTS NUMBER	R A N K	Q'TY	DESCRIPTION	SERIAL NUMBER/REMARKS	S V C
Fig.680	FM2-0096-000		1	ATR SENSOR ASSEMBLY		
1	FC5-5466-000		1	SHUTTER, ATR		
2	FC5-5468-000		1	SUPPORT, SHUTTER		
3	FU5-2075-000		1	SPRING, TENSION		
4	VS1-5057-002		1	CONNECTOR, SNAP TIGHT	J2131	
5	FG3-2813-000		1	CABLE, ATR	J2130,2132	
6	FH6-5078-000		1	SOLENOID	SL3 J2131	
7	VS1-5057-006		1	CONNECTOR, SNAP TIGHT	J2130	
501	XB1-2300-409		AR	SCREW,MACH.,TRUSS HEAD,M3X4		
502	XD3-1300-122		AR	PIN,SPRING		

FIGURE 780
TRANSFER CLEANING ASSEMBLY

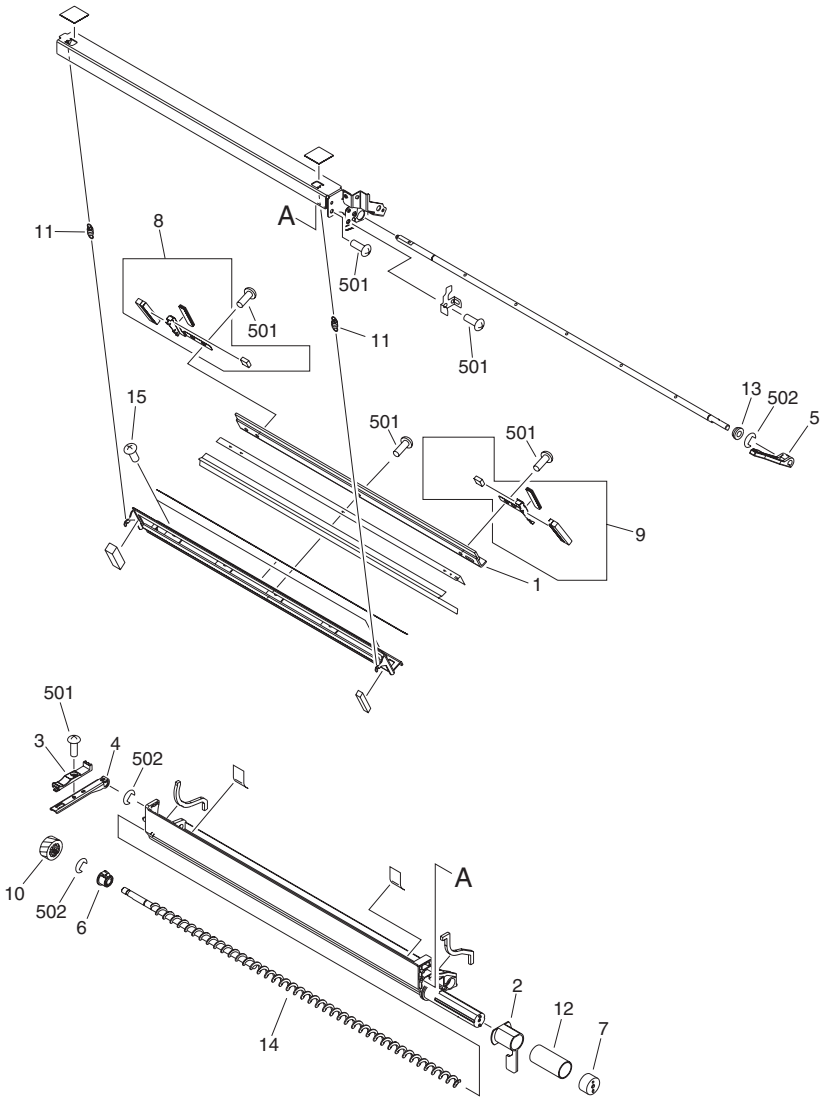
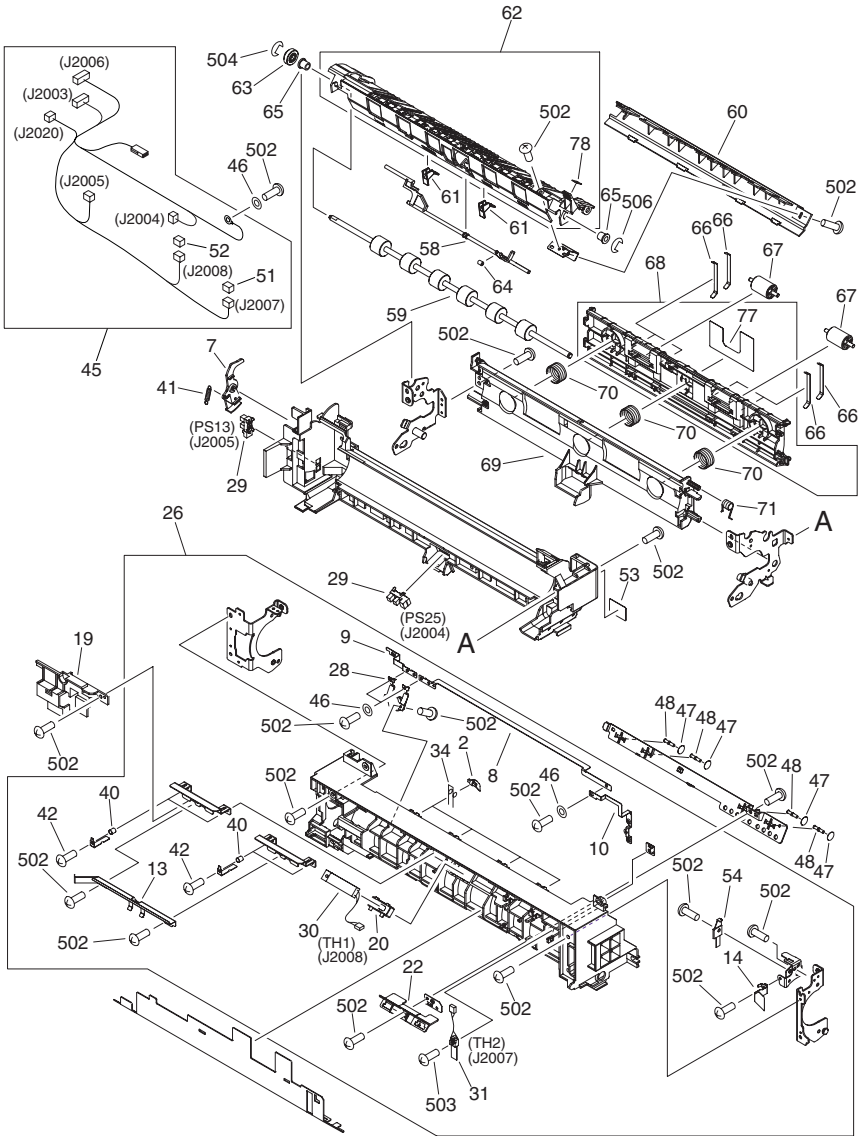


FIGURE & KEY NO.	PARTS NUMBER	R A N K	Q'TY	DESCRIPTION	SERIAL NUMBER/ REMARKS	S V C
Fig.780	FM2-0082-000		1	TRANSFER CLEANING ASSEMBLY		
1	FC5-0368-000		1	BLADE, TRANSFER CLEANER		
2	FC5-0374-000		1	SHUTTER		
3	FC5-0378-000		1	GUIDE, PRESSURE RELEASE		
4	FC5-0467-000		1	SUPPORT, PRESSURE RELEASE		
5	FC5-0468-000		1	ARM, TRANSFER CLEANING		
6	FC5-0469-000		1	BUSHING		
7	FC5-0470-000		1	STOPPER, SHUTTER		
8	FL2-0084-000		1	PLATE, BLADE SHEET, FRONT		
9	FL2-0085-000		1	PLATE, BLADE SHEET, REAR		
10	FU5-0073-000		1	GEAR, 21T		
11	FU5-2053-000		2	SPRING, TENSION		
12	FU5-2054-000		1	SPRING, COMPRESSION		
13	RS5-1002-000		1	BUSHING		
14	FC5-0372-000		1	FEEDSCREW, WASTE TONER		
15	XA9-1494-000		2	SCREW, M3X6.7		
501	XB1-2300-607		AR	SCREW,MACH.,TRUSS HEAD,M3X6		
502	XD2-1100-502		AR	RING,E		

FIGURE 810
FIXING ASSEMBLY



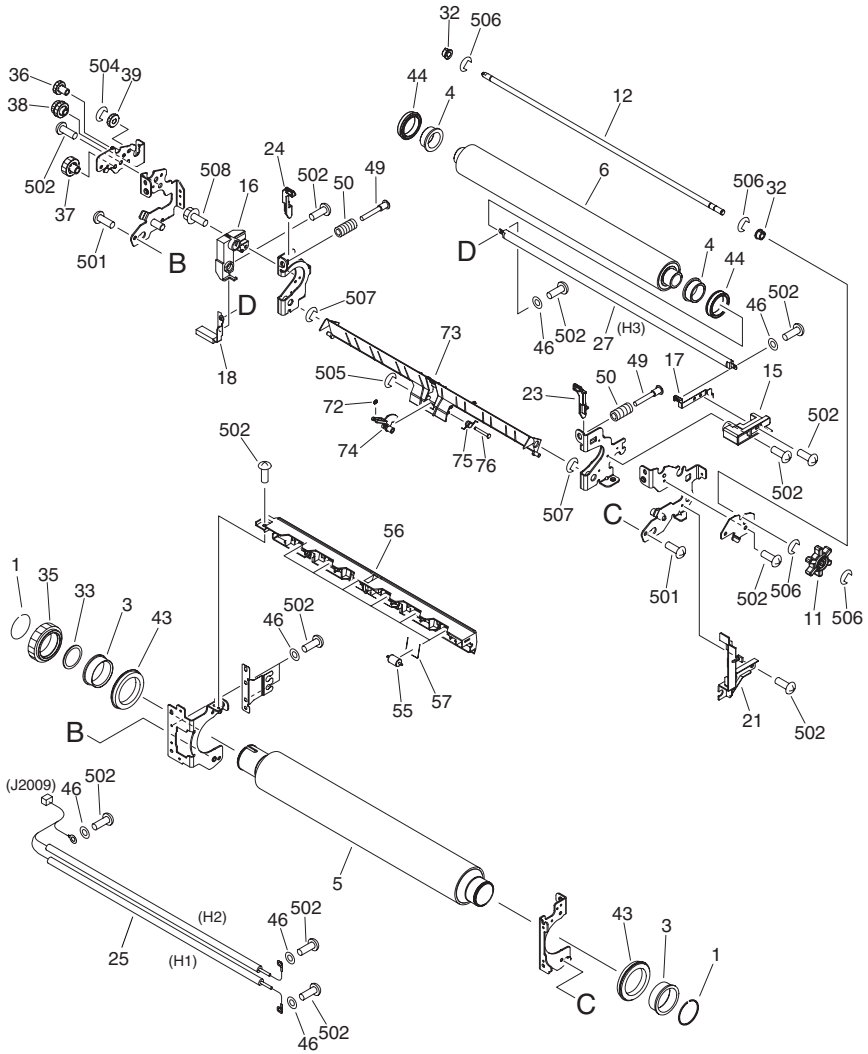


FIGURE & KEY NO.	PARTS NUMBER	R A N K	Q'TY	DESCRIPTION	SERIAL NUMBER/ REMARKS	S V C
Fig.810	FM2-0172-000		1	FIXING ASSEMBLY	100V	
Fig.810	FM2-0173-000		1	FIXING ASSEMBLY	120V	
Fig.810	FM2-0174-000		1	FIXING ASSEMBLY	220/240V	
1	FA3-8894-000		2	RING, RETAINING		
2	FB6-3666-000		4	CLAW, SEPARATION		
3	FB6-3667-000		2	BUSHING		
4	FB6-3674-000		2	BUSHING		
5	FC5-0726-000		1	ROLLER, FIXING		
6	FC5-0727-000		1	ROLLER, PRESSURE		
7	FC5-0736-000		1	FLAG, INTERNAL DELIVERY SENSOR		
8	FC5-0741-000		1	TERMINAL, 1		
9	FC5-0742-000		1	TERMINAL, 2		
10	FC5-0756-000		1	TERMINAL, 3		
11	FC5-0765-000		1	KNOB, JAM OPERATION		
12	FC5-0766-000		1	SHAFT, KNOB		
13	FC5-0767-000		1	RETAINER, THERMISTOR		
14	FC5-0768-000		1	PLATE, GROUNDING		
15	FC5-0769-000		1	HOLDER, HEATER, FRONT		
16	FC5-0770-000		1	HOLDER, HEATER, REAR		
17	FC5-0771-000		1	TERMINAL, FRONT		
18	FC5-0772-000		1	TERMINAL, REAR		
19	FC5-0775-000		1	COVER, SWITCH		
20	FC5-0776-000		1	COVER, THERMISTOR		
21	FC5-0778-000		1	COVER, WIND-BLOCKING		
22	FC5-0780-000		1	MOUNT, SNAP TIGHT CONNECTOR		
23	FC5-0784-000		1	SPACER, PRESSURE RELEASE,FRONT		
24	FC5-0785-000		1	SPACER, PRESSURE RELEASE, REAR		
25	FG3-2787-000		1	FIXING HEATER UNIT	100V H1,2 J2009	
25	FG3-2790-000		1	FIXING HEATER UNIT	120V H1,2 J2009	
25	FG3-2791-000		1	FIXING HEATER UNIT	220/240V H1,2 J2009	
26	FM2-0176-000		1	FIXING UPPER FRAME ASSEMBLY		
27	FH7-4763-000		1	HEATER, QUARTZ	H3	

FIGURE & KEY NO.	PARTS NUMBER	RANK	Q'TY	DESCRIPTION	SERIAL NUMBER/REMARKS	SVC
28	FH7-6367-000		1	THERMOSTAT		
29	FH7-7312-000		2	PHOTO-INTERRUPTER	PS13,25 J2005,2004	
30	FH7-7631-000		1	THERMISTOR UNIT	TH1 J2008	
31	FH7-7632-000		1	THERMISTOR UNIT	TH2 J2007	
32	FS5-1943-000		2	BUSHING		
33	FS5-6947-000		1	SPACER		
34	FS7-2817-000		4	SPRING, TORSION		
35	FU5-0041-000		1	GEAR, 44T		
36	FU5-0043-000		1	GEAR, 14T		
37	FU5-0044-000		1	GEAR, 20T		
38	FU5-0067-000		1	GEAR, 17T/14T		
39	FU5-0068-000		1	GEAR, 14T		
40	FU5-2042-000		4	SPRING, COMPRESSION		
41	FU5-2062-000		1	SPRING, TENSION		
42	XA9-0882-000		4	SCREW,MACH.,TRUSS HEAD,M3X12		
43	XG9-0428-000		2	BEARING, BALL, P0 47MM		
44	XG9-0522-000		2	BEARING, BALL, NSK P0 37MM		
45	FG3-3199-000		1	CABLE, FIXING DC	J2003-2008,2020	
46	FC5-6916-000		11	WASHER, PLAIN		
47	FB5-4986-000		4	ROWEL, 1		
48	FB5-5269-000		4	SHAFT, ROWEL		
49	FS5-9752-000		2	SCREW,M5		
50	FU5-2028-000		2	SPRING, COMPRESSION		
51	VS1-5057-004		1	CONNECTOR, SNAP TIGHT	J2007	
52	VS1-5057-005		1	CONNECTOR, SNAP TIGHT	J2008	
53	FC5-6581-000		1	LABEL, FIXING KNOB		
54	FB2-4375-000		1	BRUSH, GROUNDING		
55	FB6-3710-000		6	ROLLER, FIXING DELIVERY		
56	FC5-0738-000		1	GUIDE, INTERNAL DELIVERY, U.		
57	FC5-0739-000		6	SPRING, ROLLER RETAINING		
58	FC5-0735-000		1	ARM, INTERNAL DELIVERY SENSOR		
59	FC5-0737-000		1	ROLLER, INTERNAL DELIVERY		

FIGURE & KEY NO.	PARTS NUMBER	R A N K	Q'TY	DESCRIPTION	SERIAL NUMBER/ REMARKS	S V C
60	FC5-0761-000		1	PLATE, PARTITION		
61	FC5-0783-000		2	SPACER, INTERNAL DELIV. SWING		
62	FL2-0167-000		1	GUIDE, INTERNAL DELIVERY, L.		
63	FU5-0042-000		1	GEAR, 17T		
64	RB2-0493-000		1	ROLLER, PAPER SENSOR		
65	RS1-1087-000		2	BUSHING		
66	FB4-2930-000		8	SPRING, LEAF		
67	FB5-4773-000		2	ROLLER, DUPLEXING		
68	FL2-0144-000		1	GUIDE, DUPLEXING FEEDER, UPPER		
69	FC5-0746-000		1	MOUNT, DUPLEXING FEEDER GUIDE		
70	FU5-2073-000		3	SPRING, COMPRESSION		
71	FU5-2083-000		1	SPRING, TORSION		
72	FB6-3150-000		1	COLLAR, TRANSFER		
73	FC5-0740-000		1	GUIDE, FIXING INLET		
74	FC5-0757-000		1	FLAG, INLET SENSOR		
75	FU5-2048-000		1	SPRING, TORSION		
76	FU5-5031-000		1	SHAFT, FLAG		
77	FC5-0655-000		1	LABEL, HIGH TEMP. CAUTION		
78	FC5-6569-000		1	LABEL, GUIDE GRIP		
501	XB1-2400-807		AR	SCREW,MACH.,TRUSS HEAD,M4X8		
502	XB2-8300-807		AR	SCREW,W/WASHER,M3X8		
503	XB2-8301-209		AR	SCREW,W/WASHER,M3X12		
504	XD2-1100-322		AR	RING,E		
505	XD2-1100-242		AR	RING,E		
506	XD2-1100-502		AR	RING,E		
507	XD2-1100-642		AR	RING,E		
508	XB2-8300-806		AR	SCREW,W/WASHER,M3X8		

FIGURE 900 CONTROLLER BOX ASSEMBLY

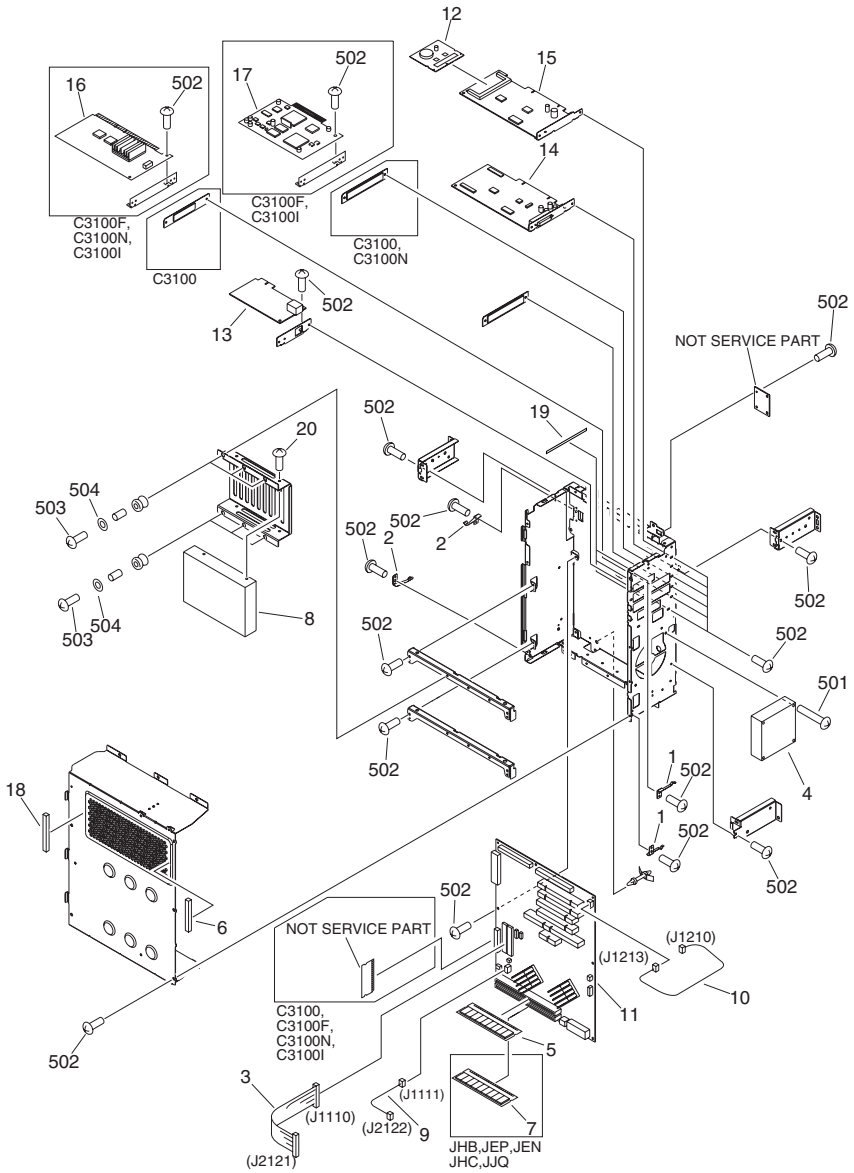


FIGURE & KEY NO.	PARTS NUMBER	RANK	Q'TY	DESCRIPTION	SERIAL NUMBER/REMARKS	SVC
Fig.900	NPN		RF	CONTROLLER BOX ASSEMBLY		
1	FC5-0444-000		2	PLATE, GROUNDING		
2	FC5-0445-000		2	PLATE, GROUNDING		
3	FH2-7018-000		1	FLAT CABLE, HDD, 1	J1110,2121	
4	FH5-1033-000		1	FAN		
5	WA7-2326-000		1	DIMM ASS'Y		
6	KE8-1014-080		1	GASKET		
7	WA7-2383-000		1	DIMM, M390S3253DT1-C7A, SD-RAM	JHB,JEP,JEN,JHC,JJQ	
8	WM2-5188-000		1	HDD, IC35L060AVV207-0		
9	FG3-3171-000		1	CABLE, HARD DISK POWER SUPPLY	J1111,2122	
10	FG3-3172-000		1	CABLE, FRAME	J1210,1213	
11	FG3-3221-000		1	MAIN BOARD PCB ASSEMBLY		
12	FG3-3225-000		1	SRAM BOARD PCB ASSEMBLY		
13	FG3-3135-000		1	NETWORK BOARD PCB ASSEMBLY		
14	FM2-0209-000		1	SCANNER BOARD PCB ASSEMBLY		
15	FM2-0210-000		1	EX-BUS BOARD PCB ASSEMBLY		
16	FG3-3223-000		1	UFR BOARD PCB ASSEMBLY	C3100F,C3100N,C3100I	
17	FG3-2728-000		1	RESOLUTION SWITCH B. PCB ASS'Y	C3100F,C3100I	
18	KE8-1049-100		1	GASKET		
19	KE8-1056-095		3	GASKET		
20	XA9-1496-000		4	SCREW,M3X6.4		
501	XB1-2403-007		AR	SCREW,MACH.,TRUSS HEAD, M4X30		
502	XB6-7300-607		AR	SCREW,TP,M3X6		
503	XB6-7301-407		AR	SCREW,TP,M3X14		
504	XD1-1105-235		AR	SHIM		
IC3	FH4-6208-000		1	IC, EPM7032AETC44-4, ASIC	C3100F,C3100I	
IC4	FH4-6152-000		1	IC, MB87L1791, GATE ARRAY	C3100F,C3100I	
IC8	FH4-6072-000		1	IC, UPD65948GN-053-LMU	C3100F,C3100I	
IC10	FH4-6123-000		1	IC, M38871M2-010GP, MCU		
IC15	FH4-6212-000		1	IC, HG75C017ABT, GATE ARRAY		
IC17	FH4-6186-000		1	IC, M66446FP, STANDARD CELL		

FIGURE 910 MAIN POWER SUPPLY PCB ASSEMBLY

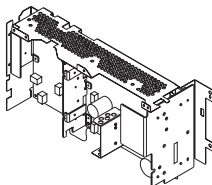


FIGURE & KEY NO.	PARTS NUMBER	RANK	Q'TY	DESCRIPTION	SERIAL NUMBER/REMARKS	SVC
Fig.910	FM2-0190-000		1	MAIN POWER SUPPLY PCB ASSEMBLY	220/240V	
Fig.910	FM2-0216-000		1	MAIN POWER SUPPLY PCB ASSEMBLY	100/120V	

FIGURE 911 MAIN CONTROLLER POWER SUPPLY ASSEMBLY

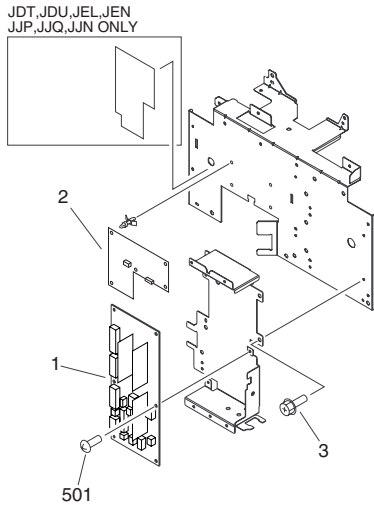


FIGURE & KEY NO.	PARTS NUMBER	RANK	Q'TY	DESCRIPTION	SERIAL NUMBER/REMARKS	SVC
Fig.911	FM2-0217-000		1	MAIN CONT. POWER SUPPLY ASS'Y	CN,KR,TW,JEJ,JGX JGZ,JHB,JGY,JEK,JEM JEP,JHD,JHC	
Fig.911	FM2-1744-000		1	MAIN CNTRLLR PWR SUPPLY ASS'Y	JDT,JDU,JEL,JEN, JJP JJQ, JJN	
Fig.911	FM2-0217-000		1	MAIN CNTRLLR PWR SUPPLY ASS'Y	JDT,JDU,JEL,JEN, JJP JJQ, JJN	
1	FG3-2792-000		1	MAIN CONT. PS PCB ASSEMBLY		
2	FG3-3584-000		1	HVT SUB PCB		
3	XA9-1386-000		5	SCREW,RS,M3X8		
501	XB6-7300-607		AR	SCREW,TP,M3X6		

FIGURE 930 DC CONTROLLER PCB ASSEMBLY

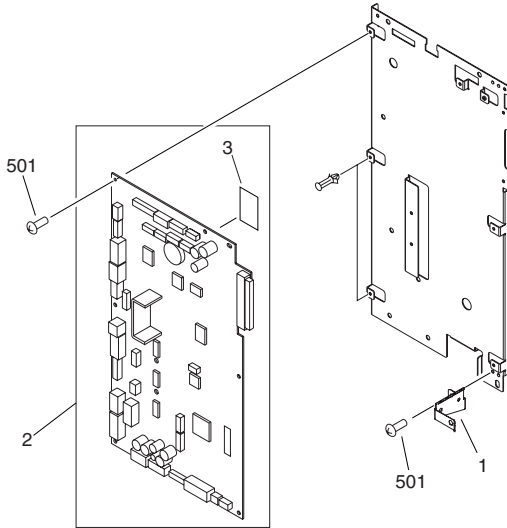


FIGURE & KEY NO.	PARTS NUMBER	RANK	Q'TY	DESCRIPTION	SERIAL NUMBER/REMARKS	SVC
Fig.930	NPN		RF	DC CONTROLLER PCB ASSEMBLY		
1	FC5-0446-000		1	PLATE, GROUNDING		
2	FG3-2795-000		1	DC CONTROLLER PCB ASSEMBLY		
3	FB3-1781-000		1	SHEET, INSULATING		
501	XB6-7300-607		AR	SCREW,TP,M3X6		
IC19	FH4-6123-000		1	IC, M38871M2-010GP, MCU		
IC23	FH4-1431-000		1	IC, HD6432323A02F, MCU		
IC37	FH4-6222-000		1	IC, GATE ARRAY, FUJITSU DEVICE		

FIGURE 931 READER CONTROLLER PCB ASSEMBLY

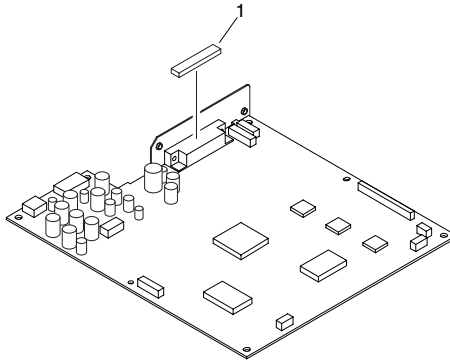


FIGURE & KEY NO.	PARTS NUMBER	RANK	Q'TY	DESCRIPTION	SERIAL NUMBER/REMARKS	SVC
Fig.931	FG3-3159-000		1	READER CONTROLLER PCB ASSEMBLY		
1	KE8-1029-064		1	GASKET		
IC515	FH4-6227-000		1	IC, MB87M1570, STANDARD CELL		
IC519	FH4-1429-000		1	IC, HD6432323A01F, MCU		

FIGURE 980 H.V. TRANSFORMER PCB ASSEMBLY

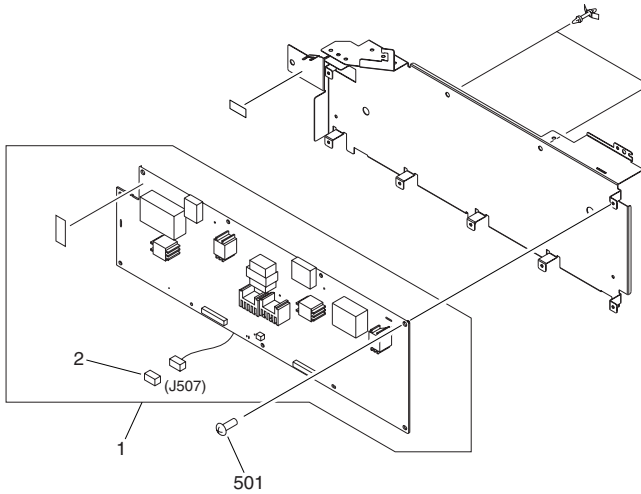


FIGURE & KEY NO.	PARTS NUMBER	RANK	Q'TY	DESCRIPTION	SERIAL NUMBER/REMARKS	SVC
Fig.980	FM2-0220-000		1	H. V. TRANSFER PCB ASSEMBLY		
1	FG3-2796-000		1	H. V. TRANSFER PCB ASSEMBLY		
2	VS1-6318-006		1	CONNECTOR, SNAP TIGHT	J507	
501	XB6-7300-607		AR	SCREW,TP,M3X6		

FIGURE 990 FAX ASSEMBLY

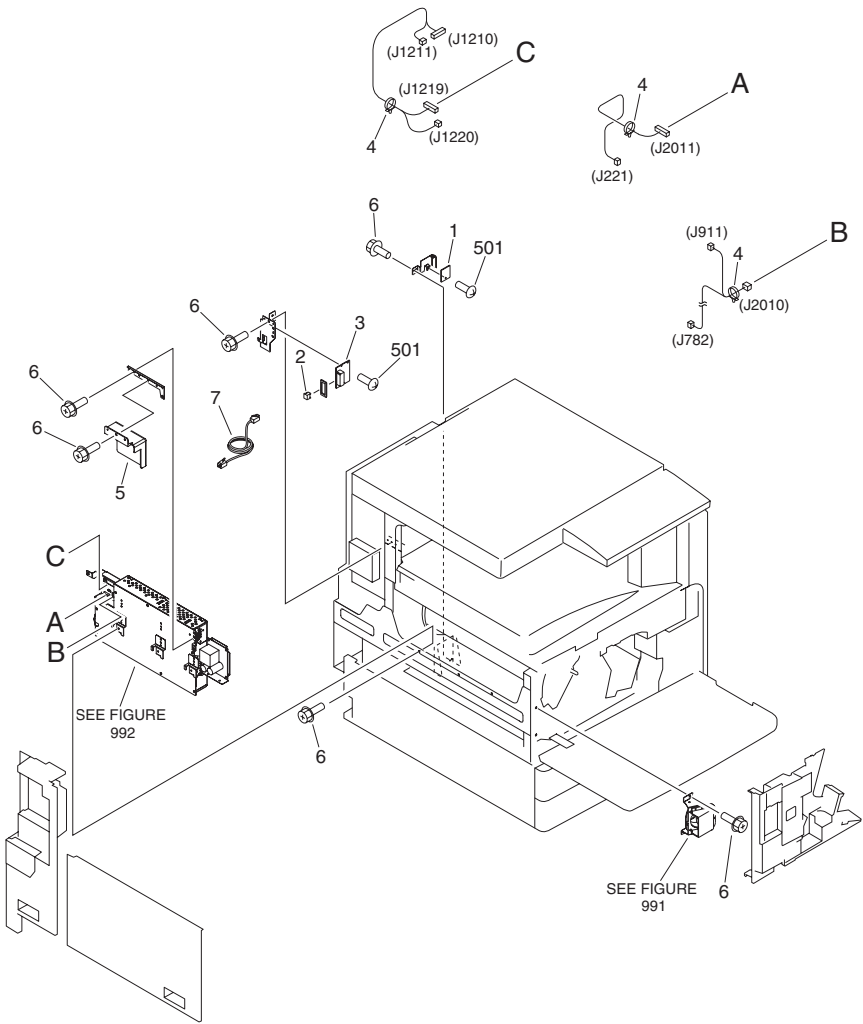


FIGURE & KEY NO.	PARTS NUMBER	R A N K	Q'TY	DESCRIPTION	SERIAL NUMBER/ REMARKS	S V C
Fig.990	NPN		RF	FAX ASSEMBLY	C3100F,C3100I	
1	FG3-2851-000		1	ARRESTER PCB ASSEMBLY		
2	WT8-5076-000		1	SPACER, MODULAR		
3	FG3-3464-000		1	G3 MODULAR PCB ASSEMBLY		
4	WT2-5565-000		3	CLAMP, CABLE		
5	FC5-1147-000		1	COVER, PSEUDO CI		
6	XA9-1386-000		9	SCREW,RS,M3X8		
7	HH2-2830-000		1	CORD, MODULAR		
501	XB6-7300-607		AR	SCREW,TP,M3X6		

FIGURE 991 SPEAKER ASSEMBLY

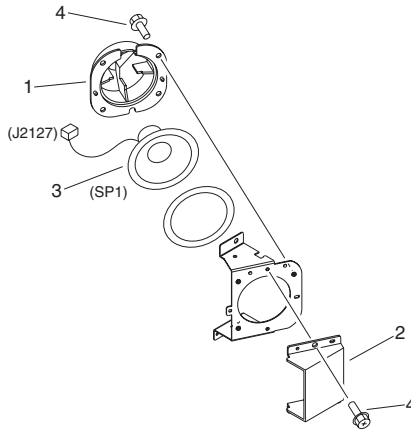


FIGURE & KEY NO.	PARTS NUMBER	R A N K	Q'TY	DESCRIPTION	SERIAL NUMBER/ REMARKS	S V C
Fig.991	FM2-0270-000		1	SPEAKER ASSEMBLY	C3100F,C3100I	
1	FC5-5472-000		1	HOLDER, SPEAKER		
2	FC5-5473-000		1	DUCT, SPEAKER		
3	FH5-3218-000		1	SPEAKER	SP1 J2127	
4	XA9-1386-000		6	SCREW,RS,M3X8		

FIGURE 992 FAX BOARD PCB ASSEMBLY

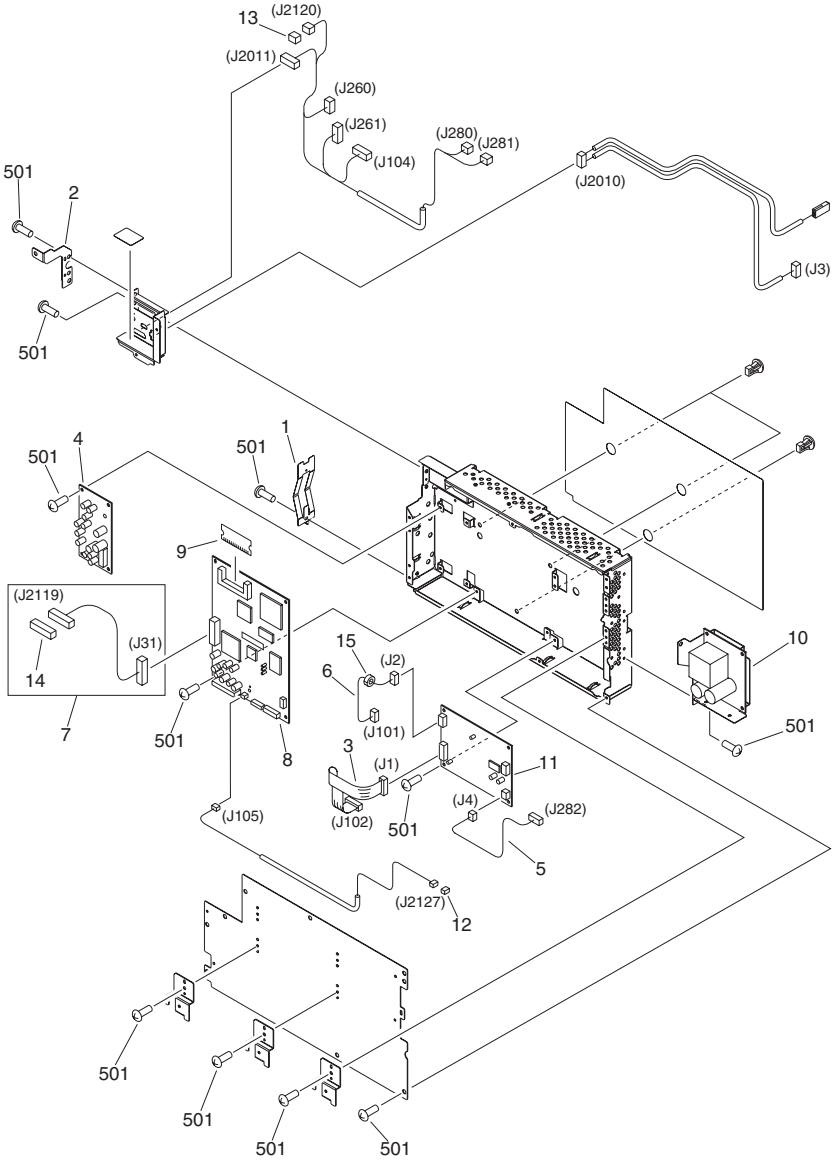
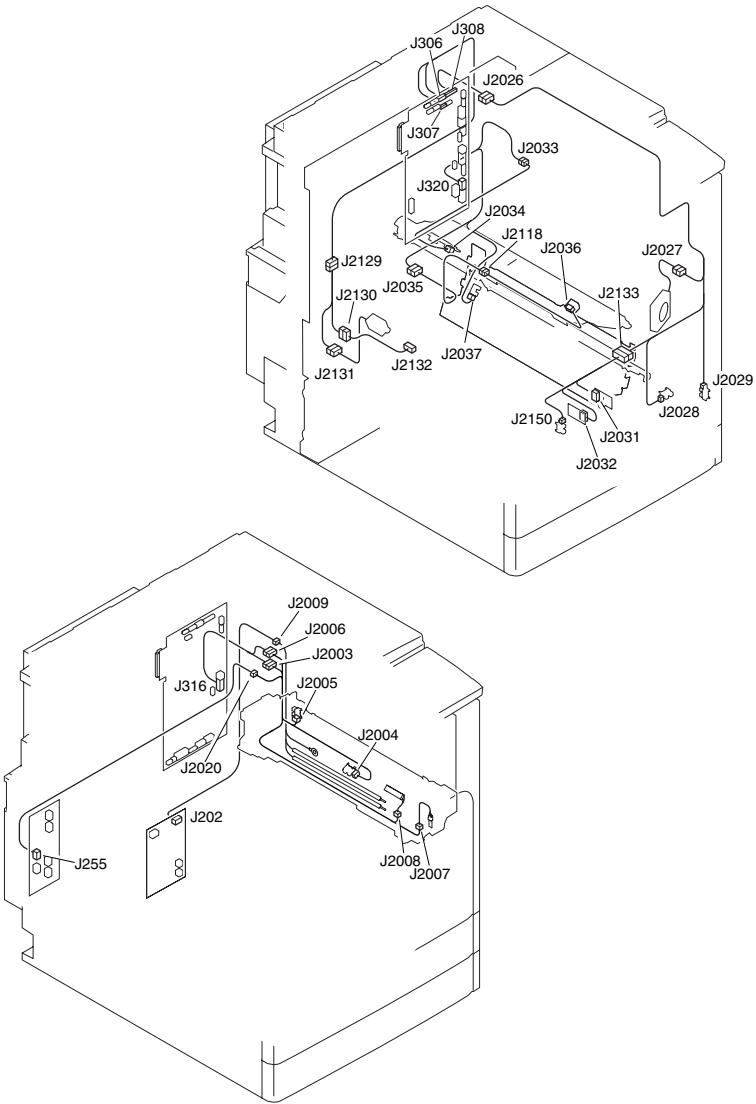
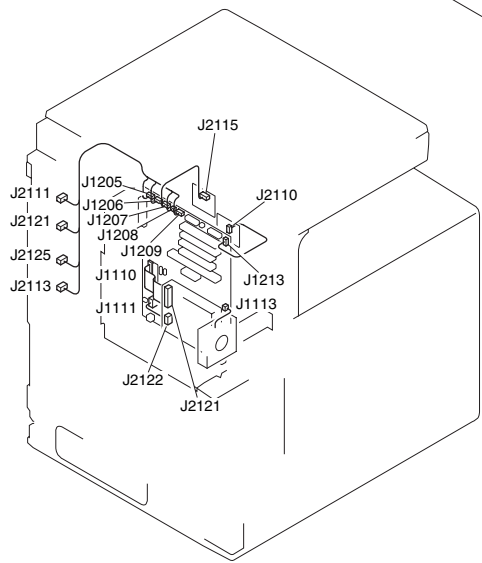
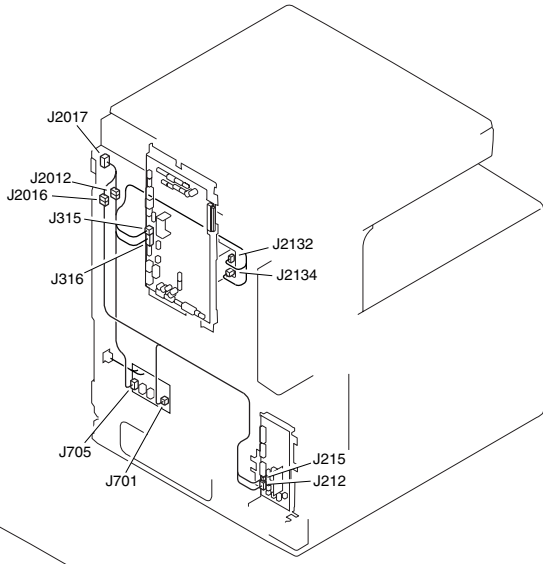
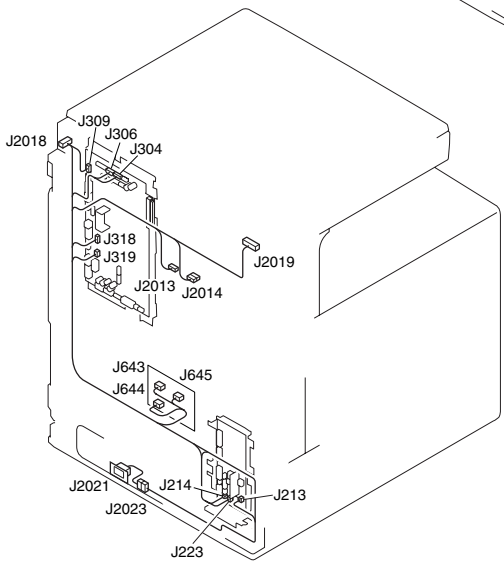
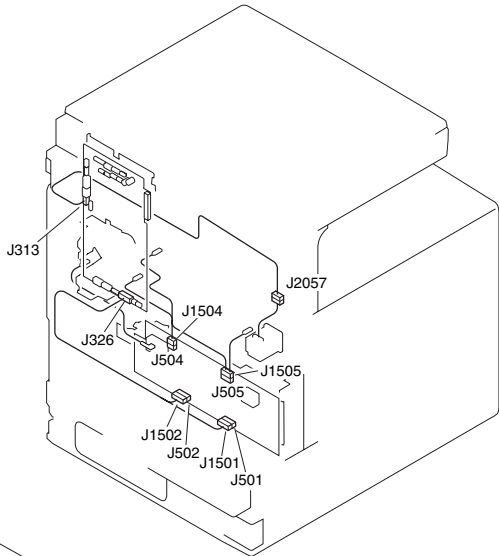


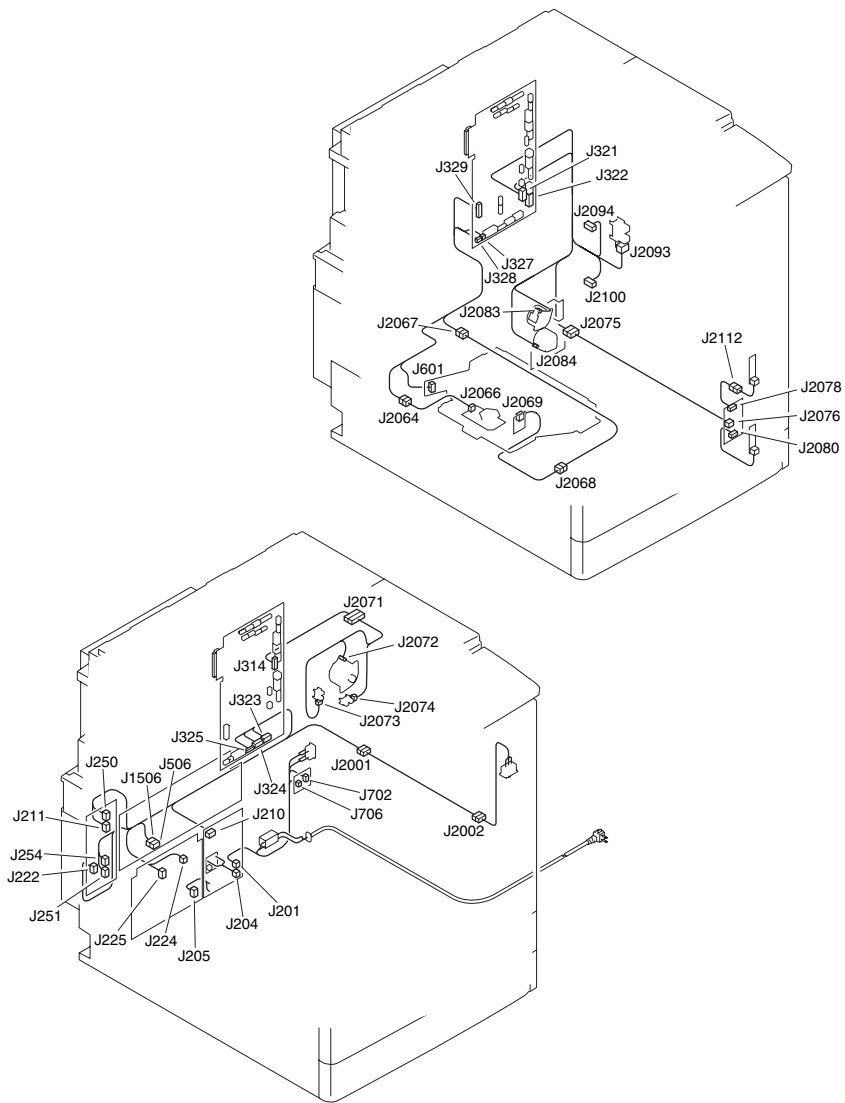
FIGURE & KEY NO.	PARTS NUMBER	R A N K	Q'TY	DESCRIPTION	SERIAL NUMBER/ REMARKS	S V C
Fig.992	FM2-0271-000		1	FAX BOARD PCB ASSEMBLY	C3100F,C3100I	
1	FC5-1142-000		1	PLATE, GROUNDING		
2	FC5-1162-000		1	PLATE, GROUNDING		
3	FH2-7072-000		1	CABLE, FLEXIBLE	J1,102	
4	FG3-2801-000		1	G3 FAX PS PCB ASSEMBLY		
5	FG3-2820-000		1	CABLE, PSEUDO CI HIGH VOLTAGE	J4,282	
6	FG3-2826-000		1	CABLE, G3 ANALOG	J2,101	
7	FG3-2828-000		1	CABLE, FAX INNER CONTROL	J31,2119	
8	FG3-1587-000		1	G3 FAX CONTROL PCB ASSEMBLY		
9	FG3-2875-000		1	DIMM ASS'Y		
10	FM2-0103-000		1	PSEUDO CI ASSEMBLY		
11	HG5-1866-000		1	NCU PCB ASSEMBLY		
12	VS1-5057-002		1	CONNECTOR, SNAP TIGHT	J2127	
13	VS1-6318-002		1	CONNECTOR, SNAP TIGHT	J2120	
14	VS1-6319-040		1	CONNECTOR, SNAP TIGHT	J2119	
15	WE8-6096-000		1	CORE, FERRITE		
501	XB6-7300-607		AR	SCREW,TP,M3X6		

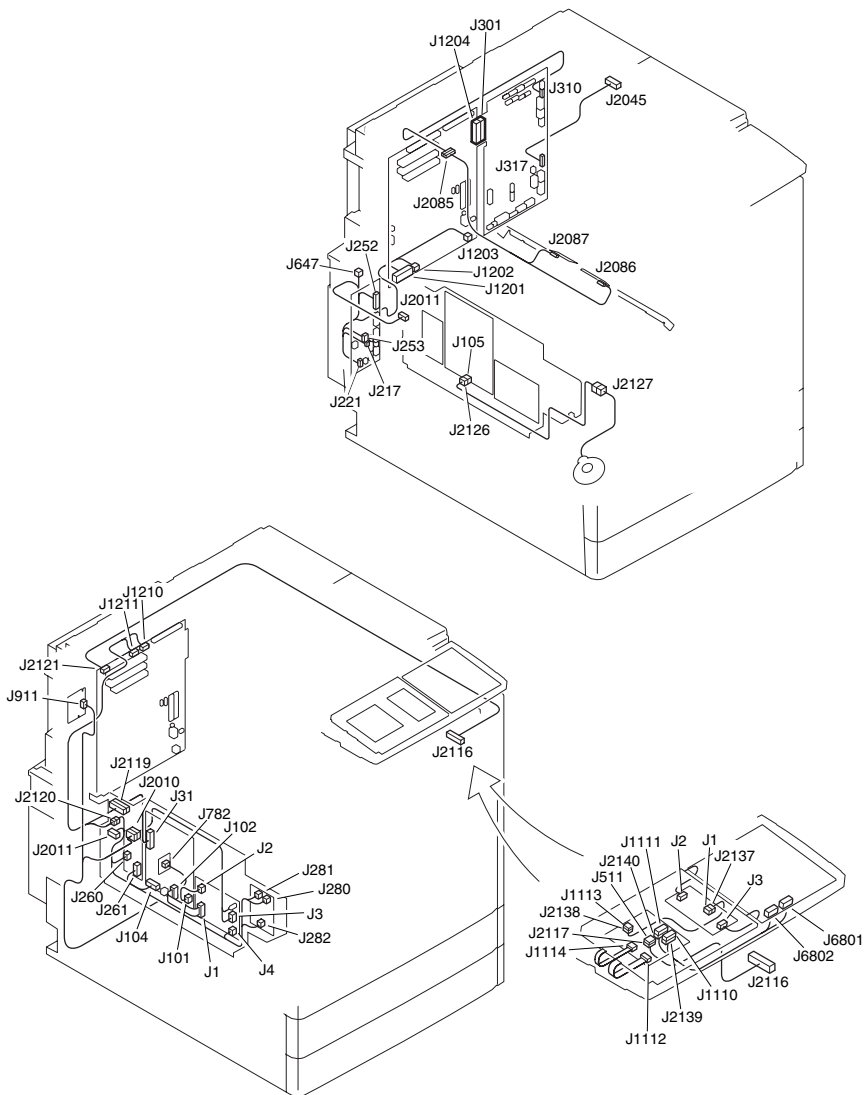
FIGURE B LIST OF CONNECTORS











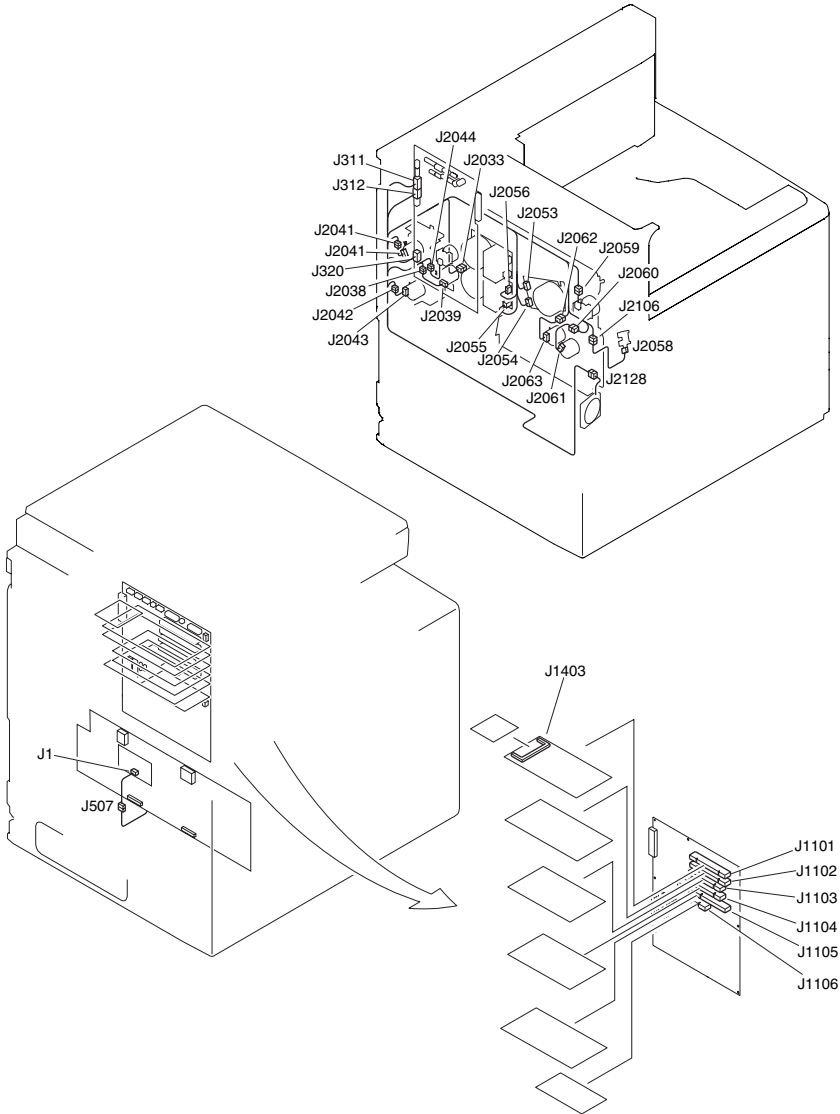


FIGURE & KEY NO.	PARTS NUMBER	RANK	Q'TY	DESCRIPTION	SERIAL NUMBER/REMARKS	SVC
Fig.B	NPN		RF	LIST OF CONNECTORS		
J1	FH2-7072-000		1	CABLE, FLEXIBLE	C3100F,C3100I ONLY	
J1	PCB			HIGH VOLTAGE SUB		
J1	PCB			CONTROL PANEL INVERTER		
J1	PCB			FAX BOARD	C3100F,C3100I ONLY	
J1	VS1-6314-006		1	CONNECTOR, 6P, FEMALE		
J2	PCB			CONTROL PANEL INVERTER		
J2	PCB			NCU	C3100F,C3100I ONLY	
J2	NPN			LCD CONTROL PANEL	LCD1	
J2	VS1-5452-006		1	CONNECTOR, 6P, FEMALE	C3100F,C3100I ONLY	
J3	PCB			CONTROL PANEL INVERTER		
J3	NPN			LCD CONTROL PANEL	LCD1	
J3	PCB			NCU	C3100F,C3100I ONLY	
J3	VS3-5080-007		1	CONNECTOR, 7P, FEMALE	C3100F,C3100I ONLY	
J3	WT1-5155-000		4	TERMINAL	C3100F,C3100I ONLY	
J4	PCB			NCU	C3100F,C3100I ONLY	
J4	VS3-5080-002		1	CONNECTOR, 2P, MALE	C3100F,C3100I ONLY	
J4	WT1-5155-000		2	TERMINAL	C3100F,C3100I ONLY	
J31	PCB			FAX BOARD	C3100F,C3100I ONLY	
J31	VS1-6313-020		1	CONNECTOR, 20P, FEMALE	C3100F,C3100I ONLY	
J31	VS1-6314-020		1	CONNECTOR, 20P, FEMALE	C3100F,C3100I ONLY	
J31	VT2-5161-040		1	HOLDER, CONNECTOR, 40P	C3100F,C3100I ONLY	
J101	PCB			FAX BOARD	C3100F,C3100I ONLY	
J101	VS1-5452-006		1	CONNECTOR, 6P, FEMALE	C3100F,C3100I ONLY	
J102	PCB			FAX BOARD	C3100F,C3100I ONLY	
J102	FH2-7072-000		1	CABLE, FLEXIBLE	C3100F,C3100I ONLY	
J104	PCB			NCU	C3100F,C3100I ONLY	
J104	VS1-6302-014		1	CONNECTOR, 14P, MALE	C3100F,C3100I ONLY	
J104	WS3-5569-000		8	PIN, CONTACT	C3100F,C3100I ONLY	
J105	PCB			FAX BOARD	C3100F,C3100I ONLY	
J201	PCB			AC DRIVER		
J201	WS3-5688-000		2	CONTACT, SOCKET, 14-16AWG		

FIGURE & KEY NO.	PARTS NUMBER	RANK	Q'TY	DESCRIPTION	SERIAL NUMBER/REMARKS	SVC
J202	PCB			AC DRIVER		
J202	VS1-7110-005		1	CONNECTOR, 5P, FEMALE, W		
J202	WS3-5859-000		3	CONTACT, SOCKET, 16-18AWG		
J203	PCB			AC DRIVER		
J203	VS1-7110-003		1	CONNECTOR, 3P, FEMALE, W		
J203	WS3-5859-000		2	CONTACT, SOCKET, 16-18AWG		
J204	PCB			AC DRIVER		
J204	PCB			ARRESTER	C3100F,C3100I ONLY	
J205	PCB			AC DRIVER		
J205	PCB			PRINTER POWER SUPPLY		
J210	PCB			AC DRIVER		
J210	VS1-6314-010		1	CONNECTOR, 10P, FEMALE		
J211	PCB			MAIN CONTROLLER POWER SUPPLY		
J211	VS3-5083-006		1	CONNECTOR, 6P, FEMALE		
J211	WS3-5160-000		5	SOCKET CONTACT, 18-24AWG		
J212	PCB			MAIN CONTROLLER POWER SUPPLY		
J212	VS3-5083-004		1	CONNECTOR, 4P, FEMALE		
J212	WS3-5160-000		4	SOCKET CONTACT, 18-24AWG		
J213	PCB			MAIN CONTROLLER POWER SUPPLY		
J213	VS1-0842-003		1	CONNECTOR, 3P, FEMALE		
J214	PCB			MAIN CONTROLLER POWER SUPPLY		
J214	VS1-6302-002		1	CONNECTOR, 2P, MALE		
J214	WS3-5569-000		2	PIN, CONTACT		
J215	PCB			MAIN CONTROLLER POWER SUPPLY		
J215	VS1-0842-002		1	CONNECTOR, 2P, FEMALE		
J217	PCB			MAIN CONTROLLER POWER SUPPLY		
J217	VS1-6314-003		1	CONNECTOR, 3P, MALE		
J218	PCB			MAIN CONTROLLER POWER SUPPLY		
J218	VS1-6302-003		1	CONNECTOR, 3P, FEMALE		
J218	WS3-5569-000		3	PIN, CONTACT		
J221	PCB			MAIN CONTROLLER POWER SUPPLY		
J221	VS1-6302-006		1	CONNECTOR, 6P, MALE	C3100F,C3100I ONLY	

FIGURE & KEY NO.	PARTS NUMBER	RANK	Q'TY	DESCRIPTION	SERIAL NUMBER/REMARKS	SVC
J221	WS3-5569-000		6	PIN, CONTACT	C3100F,C3100I ONLY	
J222	PCB			MAIN CONTROLLER POWER SUPPLY		
J222	VS1-6314-004		1	CONNECTOR, 4P, FEMALE		
J223	PCB			MAIN CONTROLLER POWER SUPPLY		
J223	VS1-6302-004		1	CONNECTOR, 4P, MALE		
J223	WS3-5569-000		4	PIN, CONTACT		
J224	PCB			PRINTER POWER SUPPLY		
J224	VS1-6314-005		1	CONNECTOR, 5P, FEMALE		
J225	PCB			PRINTER POWER SUPPLY		
J225	VS1-7110-007		1	CONNECTOR, 7P, FEMALE, W		
J225	WS3-5859-000		7	CONTACT, SOCKET, 16-18AWG		
J250	PCB			MAIN CONTROLLER POWER SUPPLY		
J250	VS3-5083-007		1	CONNECTOR, 7P, FEMALE		
J250	WS3-5160-000		7	SOCKET CONTACT, 18-24AWG		
J251	PCB			MAIN CONTROLLER POWER SUPPLY		
J251	VS1-6302-007		1	CONNECTOR, 7P, FEMALE		
J251	WS3-5569-000		7	PIN, CONTACT		
J252	PCB			MAIN CONTROLLER POWER SUPPLY		
J252	VS3-5083-010		1	CONNECTOR, 10P, FEMALE		
J252	WS3-5160-000		10	SOCKET CONTACT, 18-24AWG		
J253	PCB			MAIN CONTROLLER POWER SUPPLY		
J253	VS1-6534-004		1	CONNECTOR, 4P, FEMALE		
J253	WS3-5658-000		4	SOCKET CONTACT		
J254	PCB			MAIN CONTROLLER POWER SUPPLY		
J254	VS1-6314-005		1	CONNECTOR, 5P, FEMALE		
J255	PCB			MAIN CONTROLLER POWER SUPPLY		
J255	VS3-5083-002		1	CONNECTOR, 2P, FEMALE		
J255	WS3-5160-000		2	SOCKET CONTACT, 18-24AWG		
J260	PCB			G3 FAX PS	C3100F,C3100I ONLY	
J260	VS1-6302-004		1	CONNECTOR, 4P, MALE	C3100F,C3100I ONLY	
J260	WS3-5569-000		4	PIN, CONTACT	C3100F,C3100I ONLY	
J261	PCB			G3 FAX PS	C3100F,C3100I ONLY	

FIGURE & KEY NO.	PARTS NUMBER	R A N K	Q'TY	DESCRIPTION	SERIAL NUMBER/ REMARKS	S V C
J261	VS1-6302-008		1	CONNECTOR, 8P, MALE	C3100F,C3100I ONLY	
J261	WS3-5569-000		8	PIN, CONTACT	C3100F,C3100I ONLY	
J280	PCB			PSEUDO CI	C3100F,C3100I ONLY	
J280	VS1-6314-002		1	CONNECTOR, 2P, FEMALE	C3100F,C3100I ONLY	
J281	PCB			PSEUDO CI	C3100F,C3100I ONLY	
J281	VS1-6302-002		1	CONNECTOR, 2P, MALE	C3100F,C3100I ONLY	
J281	WS3-5569-000		2	PIN, CONTACT	C3100F,C3100I ONLY	
J282	PCB			PSEUDO CI	C3100F,C3100I ONLY	
J282	VS1-6302-003		1	CONNECTOR, 3P, FEMALE	C3100F,C3100I ONLY	
J282	WS3-5569-000		2	PIN, CONTACT	C3100F,C3100I ONLY	
J301	PCB			DC CONTROLLER		
J303	PCB			DC CONTROLLER		
J303	VS1-5452-005		1	CONNECTOR, 5P, FEMALE		
J304	PCB			DC CONTROLLER		
J304	VS1-5452-007		1	CONNECTOR, 7P, FEMALE		
J305	PCB			DC CONTROLLER		
J305	VS1-5452-006		1	CONNECTOR, 6P, FEMALE		
J306	PCB			DC CONTROLLER		
J306	VS1-5824-008		1	CONNECTOR, 8P, FEMALE		
J306	WS3-5358-000		8	SOCKET CONTACT, 22-26AWG		
J307	PCB			DC CONTROLLER		
J307	VS1-6314-008		1	CONNECTOR, 8P, FEMALE		
J308	PCB			DC CONTROLLER		
J308	VS1-6314-017		1	CONNECTOR, 17P, FEMALE		
J309	PCB			DC CONTROLLER		
J309	VS1-5824-006		1	CONNECTOR, 6P, FEMALE		
J309	WS3-5358-000		6	SOCKET CONTACT, 22-26AWG		
J310	PCB			DC CONTROLLER		
J310	VS1-6314-010		1	CONNECTOR, 10P, FEMALE		
J311	PCB			DC CONTROLLER		
J311	VS1-6313-012		1	CONNECTOR, 12P, FEMALE		
J311	VS1-6314-012		1	CONNECTOR, 12P, FEMALE		

FIGURE & KEY NO.	PARTS NUMBER	RANK	Q'TY	DESCRIPTION	SERIAL NUMBER/REMARKS	SVC
J311	VT2-5161-024		1	CONNECTOR, 24P, FEMALE		
J312	PCB			DC CONTROLLER		
J312	VS1-7110-004		1	CONNECTOR, 4P, FEMALE, W		
J312	WS3-5858-000		4	CONTACT, SOCKET, 20-22AWG		
J313	PCB			DC CONTROLLER		
J313	VS1-6302-006		1	CONNECTOR, 6P, MALE		
J313	WS3-5569-000		6	PIN, CONTACT		
J314	PCB			DC CONTROLLER		
J314	VS1-6314-010		1	CONNECTOR, 10P, FEMALE		
J315	PCB			DC CONTROLLER		
J315	VS1-7110-002		1	CONNECTOR, 2P, FEMALE, W		
J315	WS3-5858-000		2	CONTACT, SOCKET, 20-22AWG		
J316	PCB			DC CONTROLLER		
J316	VS1-6313-013		1	CONNECTOR, 13P, FEMALE		
J316	VS1-6314-013		1	CONNECTOR, 13P, FEMALE		
J316	VT2-5161-026		1	HOLDER, CONNECTOR, 26P		
J317	PCB			DC CONTROLLER		
J317	VS1-6314-015		1	CONNECTOR, 15P, FEMALE		
J318	PCB			DC CONTROLLER		
J318	VS1-6225-008		1	CONNECTOR, 8P, FEMALE		
J319	PCB			DC CONTROLLER		
J319	VS1-0842-004		1	CONNECTOR, 4P, FEMALE		
J320	PCB			DC CONTROLLER		
J320	VS1-6313-009		1	CONNECTOR, 9P, FEMALE		
J320	VS1-6314-009		1	CONNECTOR, 9P, FEMALE		
J320	VT2-5161-018		1	HOLDER, CONNECTOR, 18P		
J321	PCB			DC CONTROLLER		
J321	VS1-6313-011		1	CONNECTOR, 11P, FEMALE		
J321	VS1-6314-011		1	CONNECTOR, 11P, FEMALE		
J321	VT2-5161-022		1	HOLDER, CONNECTOR, 22P		
J322	PCB			DC CONTROLLER		
J322	VS1-6313-014		1	CONNECTOR, 14P, FEMALE		

FIGURE & KEY NO.	PARTS NUMBER	RANK	Q'TY	DESCRIPTION	SERIAL NUMBER/REMARKS	SVC
J322	VS1-6314-014		1	CONNECTOR, 14P, MALE		
J322	VT2-5161-028		1	HOLDER, CONNECTOR, 28P		
J323	PCB			DC CONTROLLER		
J323	VS1-7110-004		1	CONNECTOR, 4P, FEMALE, W		
J323	WS3-5858-000		4	CONTACT, SOCKET, 20-22AWG		
J324	PCB			DC CONTROLLER		
J324	VS1-6302-007		1	CONNECTOR, 7P, FEMALE		
J324	WS3-5569-000		7	PIN, CONTACT		
J325	PCB			DC CONTROLLER		
J325	VS1-6314-013		1	CONNECTOR, 13P, FEMALE		
J326	PCB			DC CONTROLLER		
J326	VS1-6313-016		1	CONNECTOR, 16P, FEMALE		
J326	VS1-6314-016		1	CONNECTOR, 16P, FEMALE		
J326	VT2-5161-032		1	HOLDER, CONNECTOR, 32P		
J327	PCB			DC CONTROLLER		
J327	VS1-0842-003		1	CONNECTOR, 3P, FEMALE		
J328	PCB			DC CONTROLLER		
J328	VS1-6314-005		1	CONNECTOR, 5P, FEMALE		
J329	PCB			DC CONTROLLER		
J329	VS1-5824-014		1	CONNECTOR, 14P, FEMALE		
J329	WS3-5358-000		13	SOCKET CONTACT, 22-26AWG		
J500	PCB			READER CONTROLLER		
J500	VS1-7110-002		1	CONNECTOR, 2P, FEMALE, W		
J500	WS3-5859-000		2	CONTACT, SOCKET, 16-18AWG		
J501	PCB			HIGH VOLTAGE TRANSFER		
J501	PCB			READER CONTROLLER		
J501	VS1-7110-004		1	CONNECTOR, 4P, FEMALE, W		
J501	WS3-5859-000		4	CONTACT, SOCKET, 16-18AWG		
J502	PCB			HIGH VOLTAGE TRANSFER		
J502	PCB			READER CONTROLLER		
J502	FH2-7036-000		1	CABLE, DDI-S SERIAL		
J503	PCB			READER CONTROLLER		

FIGURE & KEY NO.	PARTS NUMBER	RANK	Q'TY	DESCRIPTION	SERIAL NUMBER/REMARKS	SVC
J503	VS1-5452-007		1	CONNECTOR, 7P, FEMALE		
J504	PCB			HIGH VOLTAGE TRANSFER		
J504	PCB			READER CONTROLLER		
J504	VS1-5452-005		1	CONNECTOR, 5P, FEMALE		
J505	PCB			HIGH VOLTAGE TRANSFER		
J505	PCB			READER CONTROLLER		
J505	VS1-6302-004		1	CONNECTOR, 4P, MALE		
J505	WS3-5569-000		4	PIN, CONTACT		
J506	PCB			HIGH VOLTAGE TRANSFER		
J506	PCB			READER CONTROLLER		
J506	VS1-6314-009		1	CONNECTOR, 9P, FEMALE		
J507	VS1-6314-006		1	CONNECTOR, 6P, FEMALE		
J507	VS1-6318-006		1	CONNECTOR, SNAP TIGHT		
J507	VS1-6757-006		1	CONNECTOR, 6P, FEMALE		
J507	WS3-5721-000		5	SOCKET CONTACT		
J510	PCB			READER CONTROLLER		
J510	FH2-7054-000		1	CABLE, FLEXIBLE FLAT		
J511	PCB			READER CONTROLLER		
J511	VS1-6314-004		1	CONNECTOR, 4P, FEMALE		
J511	VS1-6314-006		1	CONNECTOR, 6P, FEMALE		
J512	PCB			READER CONTROLLER		
J512	VS1-6314-003		1	CONNECTOR, 3P, MALE		
J601	PCB			LASER DRIVER		
J601	VS1-5824-013		1	CONNECTOR, 13P, FEMALE		
J601	WS3-5358-000		13	SOCKET CONTACT, 22-26AWG		
J640	PCB			SWITCHING POWER SUPPLY		
J640	VS1-7110-003		1	CONNECTOR, 3P, FEMALE, W		
J640	WS3-5859-000		2	CONTACT, SOCKET, 16-18AWG		
J641	PCB			SWITCHING POWER SUPPLY		
J641	VS1-5452-002		1	CONNECTOR, 2P, FEMALE		
J642	PCB			SWITCHING POWER SUPPLY		
J642	VS1-7110-002		1	CONNECTOR, 2P, FEMALE, W		

FIGURE & KEY NO.	PARTS NUMBER	RANK	Q'TY	DESCRIPTION	SERIAL NUMBER/REMARKS	SVC
J642	WS3-5858-000		2	CONTACT, SOCKET, 20-22AWG		
J643	PCB			SWITCHING POWER SUPPLY		
J643	VS1-6302-002		1	CONNECTOR, 2P, MALE		
J643	WS3-5569-000		2	PIN, CONTACT		
J644	PCB			SWITCHING POWER SUPPLY		
J644	VS1-6302-004		1	CONNECTOR, 4P, MALE		
J644	WS3-5680-000		4	SOCKET CONTACT, 20-24AWG		
J645	PCB			SWITCHING POWER SUPPLY		
J645	VS1-6302-004		1	CONNECTOR, 4P, MALE		
J645	WS3-5569-000		4	PIN, CONTACT		
J647	PCB			SWITCHING POWER SUPPLY		
J647	VS1-6302-003		1	CONNECTOR, 3P, FEMALE		
J647	WS3-5569-000		3	PIN, CONTACT		
J701	PCB			HEATER SWITCH	OPTION	
J701	VS1-0842-002		1	CONNECTOR, 2P, FEMALE		
J702	PCB			HEATER SWITCH	OPTION	
J702	VS1-7110-004		1	CONNECTOR, 4P, FEMALE, W		
J702	WS3-5592-000		2	SOCKET CONTACT, 16-18AWG		
J705	PCB			HEATER SWITCH	OPTION	
J705	VS1-7110-003		1	CONNECTOR, 3P, FEMALE, W		
J705	WS3-5859-000		2	CONTACT, SOCKET, 16-18AWG		
J706	PCB			HEATER SWITCH	OPTION	
J706	VS1-7110-003		1	CONNECTOR, 3P, FEMALE, W		
J706	WS3-5592-000		2	SOCKET CONTACT, 16-18AWG		
J782	PCB			ARRESTER	C3100F,C3100I ONLY	
J782	VS1-7110-002		1	CONNECTOR, 2P, FEMALE, W	C3100F,C3100I ONLY	
J782	WS3-5858-000		1	CONTACT, SOCKET, 20-22AWG	C3100F,C3100I ONLY	
J911	PCB			G3 MODULAR	C3100F,C3100I ONLY	
J911	VS3-5080-007		1	CONNECTOR, 7P, FEMALE	C3100F,C3100I ONLY	
J911	WT1-5155-000		4	TERMINAL	C3100F,C3100I ONLY	
J1101	PCB			MAIN BOARD		
J1101	PCB			EX-BUS BOARD		

FIGURE & KEY NO.	PARTS NUMBER	RANK	Q'TY	DESCRIPTION	SERIAL NUMBER/REMARKS	SVC
J1102	PCB			MAIN BOARD	FM4	
J1102	PCB			SCANNER BOARD		
J1103	PCB			MAIN BOARD		
J1103	PCB			RESOLUTION SWITCH BOARD		
J1104	PCB			MAIN BOARD		
J1104	PCB			USB INTERFACE BOARD		
J1104	PCB			TOKENRING		
J1105	PCB			MAIN BOARD		
J1105	PCB			UFR		
J1106	PCB			MAIN BOARD		
J1106	PCB			NETWORK BOARD		
J1110	PCB			CONTROL PANEL CPU		
J1110	PCB			MAIN BOARD		
J1110	FH2-7018-000		1	FLAT CABLE, HDD, 1		
J1111	PCB			CONTROL PANEL CPU		
J1111	PCB			MAIN BOARD		
J1111	VS3-5083-004		1	CONNECTOR, 4P, FEMALE		
J1111	WS3-5160-000		4	SOCKET CONTACT, 18-24AWG		
J1112	FH2-7037-000		1	CABLE, FLAT		
J1112	PCB			CONTROL PANEL CPU		
J1113	NPN			CONTROLLER FAN		
J1113	PCB			CONTROL PANEL CPU		
J1113	PCB			MAIN BOARD		
J1114	NPN			ANALOG TOUCH PANEL UNIT		
J1114	PCB			CONTROL PANEL CPU		
J1201	PCB			MAIN BOARD		
J1201	VS3-5083-010		1	CONNECTOR, 10P, FEMALE		
J1201	WS3-5160-000		10	SOCKET CONTACT, 18-24AWG		
J1202	PCB			MAIN BOARD		
J1202	VS1-6302-004		1	CONNECTOR, 4P, MALE		
J1202	WS3-5569-000		4	PIN, CONTACT		
J1203	PCB			MAIN BOARD		

FIGURE & KEY NO.	PARTS NUMBER	RANK	Q'TY	DESCRIPTION	SERIAL NUMBER/REMARKS	SVC
J1203	VS1-6314-003		1	CONNECTOR, 3P, MALE		
J1204	PCB			MAIN BOARD		
J1205	PCB			MAIN BOARD		
J1205	VS1-5824-004		1	CONNECTOR, 4P, FEMALE		
J1205	WS3-5358-000		4	SOCKET CONTACT, 22-26AWG		
J1206	PCB			MAIN BOARD		
J1206	VS1-6321-006		1	CONNECTOR, 6P, FEMALE		
J1207	PCB			MAIN BOARD		
J1207	VS1-6314-008		1	CONNECTOR, 8P, FEMALE		
J1208	PCB			MAIN BOARD		
J1208	VS1-0842-002		1	CONNECTOR, 2P, FEMALE		
J1209	PCB			MAIN BOARD		
J1209	VS1-6314-010		1	CONNECTOR, 10P, FEMALE		
J1210	PCB			MAIN BOARD		
J1210	VS1-6313-020		1	CONNECTOR, 20P, FEMALE	C3100F,C3100I ONLY	
J1210	VS1-6314-020		1	CONNECTOR, 20P, FEMALE	C3100F,C3100I ONLY	
J1210	VT2-5161-040		1	HOLDER, CONNECTOR, 40P	C3100F,C3100I ONLY	
J1211	PCB			MAIN BOARD		
J1211	VS1-6314-003		1	CONNECTOR, 3P, MALE	C3100F,C3100I ONLY	
J1212	PCB			MAIN BOARD		
J1212	VS1-6313-018		1	CONNECTOR, 18P, FEMALE		
J1212	VS1-6314-018		1	CONNECTOR, 18P, MALE		
J1212	VT2-5161-036		1	HOLDER, CONNECTOR, 36P		
J1213	PCB			MAIN BOARD		
J1213	VS1-6314-006		1	CONNECTOR, 6P, FEMALE		
J1302	PCB			SCANNER BOARD		
J1302	FH2-7036-000		1	CABLE, DDI-S SERIAL		
J1403	PCB			EX-BUS BOARD		
J1403	PCB			SRAM BOARD		
J1501	VS1-6314-016		1	CONNECTOR, 16P, FEMALE		
J1502	VS1-6313-017		1	CONNECTOR, 17P, FEMALE		
J1504	VS1-7110-003		1	CONNECTOR, 3P, FEMALE, W		

FIGURE & KEY NO.	PARTS NUMBER	RANK	Q'TY	DESCRIPTION	SERIAL NUMBER/REMARKS	SVC
J1504	WS3-5858-000		1	CONTACT, SOCKET, 20-22AWG		
J1505	VS1-7110-005		1	CONNECTOR, 5P, FEMALE, W		
J1505	WS3-5858-000		2	CONTACT, SOCKET, 20-22AWG		
J1506	VS1-6302-002		1	CONNECTOR, 2P, MALE		
J1506	WS3-5680-000		2	SOCKET CONTACT, 20-24AWG		
J2001	VS1-6982-004		1	CONNECTOR, 4P, MALE, W		
J2001	VS1-7110-004		1	CONNECTOR, 4P, FEMALE, W		
J2001	WS3-5744-000		2	CONTACT, PIN, 16-18AWG		
J2001	WS3-5815-000		2	CONTACT, PIN, 20-22AWG		
J2001	WS3-5858-000		2	CONTACT, SOCKET, 20-22AWG		
J2001	WS3-5859-000		2	CONTACT, SOCKET, 16-18AWG		
J2002	VS1-6982-004		1	CONNECTOR, 4P, MALE, W		
J2002	VS1-7110-004		1	CONNECTOR, 4P, FEMALE, W		
J2002	WS3-5744-000		2	CONTACT, PIN, 16-18AWG		
J2002	WS3-5815-000		2	CONTACT, PIN, 20-22AWG		
J2002	WS3-5858-000		2	CONTACT, SOCKET, 20-22AWG		
J2002	WS3-5859-000		2	CONTACT, SOCKET, 16-18AWG		
J2003	VS1-5057-006		1	CONNECTOR, SNAP TIGHT		
J2003	VS1-5824-006		1	CONNECTOR, 6P, FEMALE		
J2003	VS1-6321-006		1	CONNECTOR, 6P, FEMALE		
J2003	WS3-5730-000		6	SOCKET CONTACT AWG 36-26		
J2004	NPN			FIXING INLET SENSOR	PS25	
J2004	VS1-5824-003		1	CONNECTOR, 3P, FEMALE		
J2004	WS3-5730-000		3	SOCKET CONTACT AWG 36-26		
J2005	NPN			FIXING PAPER DELIVERY SENSOR	PS13	
J2005	VS1-5824-003		1	CONNECTOR, 3P, FEMALE		
J2005	WS3-5730-000		3	SOCKET CONTACT AWG 36-26		
J2006	VS1-5057-007		1	CONNECTOR, SNAP TIGHT		
J2006	VS1-5824-007		1	CONNECTOR, 7P, FEMALE		
J2006	VS1-6321-007		1	CONNECTOR, 7P, FEMALE		
J2006	WS3-5730-000		7	SOCKET CONTACT AWG 36-26		
J2007	NPN			FIXING SUB THERMISTOR		

FIGURE & KEY NO.	PARTS NUMBER	RANK	Q'TY	DESCRIPTION	SERIAL NUMBER/REMARKS	SVC
J2007	VS1-5057-004		1	CONNECTOR, SNAP TIGHT		
J2007	VS1-5824-004		1	CONNECTOR, 4P, FEMALE		
J2007	WS3-5730-000		4	SOCKET CONTACT AWG 36-26		
J2008	NPN			FIXING MAIN THERMISTOR	TH1	
J2008	VS1-5057-005		1	CONNECTOR, SNAP TIGHT		
J2008	VS1-5824-005		1	CONNECTOR, 5P, FEMALE		
J2008	WS3-5730-000		5	SOCKET CONTACT AWG 36-26		
J2009	NPN			MAIN/SUB HEATER	H1,2	
J2009	VS3-5116-003		1	CONNECTOR (3P)		
J2009	VS3-5207-003		1	CONNECTOR, 3P, MALE		
J2009	WS3-5174-000		1	SOCKET CONTACT, 16-20AWG		
J2009	WS3-5354-000		3	PIN CONTACT, 16-20AWG		
J2010	VS4-0001-012		1	CONNECTOR, 12P, MALE	C3100F,C3100I ONLY	
J2010	VS4-0002-012		1	CONNECTOR, 12P, FEMALE	C3100F,C3100I ONLY	
J2010	WS4-0217-000		1	SOCKET CONTACT, 22-18AWG	C3100F,C3100I ONLY	
J2010	WS4-0218-000		4	SOCKET CONTACT, 22-26AWG	C3100F,C3100I ONLY	
J2010	WS4-0219-000		1	PIN CONTACT, 18-22AWG	C3100F,C3100I ONLY	
J2010	WS4-0220-000		4	PIN CONTACT, 22-26AWG	C3100F,C3100I ONLY	
J2011	VS1-6302-006		1	CONNECTOR, 6P, MALE	C3100F,C3100I ONLY	
J2011	VS1-6702-006		1	CONNECTOR, 6P, W	C3100F,C3100I ONLY	
J2011	WS3-5569-000		6	PIN, CONTACT	C3100F,C3100I ONLY	
J2011	WS3-5720-000		6	SOCKET CONTACT, 22-28AWG	C3100F,C3100I ONLY	
J2012	VS1-6982-002		1	CONNECTOR, 2P, MALE, W		
J2012	VS1-7110-002		1	CONNECTOR, 2P, FEMALE, W		
J2012	WS3-5744-000		2	CONTACT, PIN, 16-18AWG		
J2012	WS3-5859-000		2	CONTACT, SOCKET, 16-18AWG		
J2013	SYS			TO FINISHER-P1		
J2013	VS1-5729-004		1	CONNECTOR, 4P, MALE		
J2013	WS3-5301-000		4	PIN CONTACT		
J2014	SYS			TO FINISHER-P1		
J2014	VS1-5452-007		1	CONNECTOR, 7P, FEMALE		
J2014	VS1-5820-007		1	CONNECTOR, SNAP TIGHT		

FIGURE & KEY NO.	PARTS NUMBER	RANK	Q'TY	DESCRIPTION	SERIAL NUMBER/REMARKS	SVC
J2015	NPN			CASSETTE HEATER	H4	
J2015	VS4-0002-002		1	CONNECTOR, 2P, FEMALE		
J2015	WS4-0217-000		2	SOCKET CONTACT, 22-18AWG		
J2016	VS1-6982-005		1	CONNECTOR, 5P, MALE, W		
J2016	VS1-7110-005		1	CONNECTOR, 5P, FEMALE, W		
J2016	WS3-5744-000		4	CONTACT, PIN, 16-18AWG		
J2016	WS3-5859-000		4	CONTACT, SOCKET, 16-18AWG		
J2017	FH2-5825-000		7	PIN CONTACT, 16-20AWG		
J2017	FH2-6855-000		1	CONNECTOR, 12P, FEMALE		
J2018	SYS			TO INNER 2WAY TRAY-C1		
J2018	VS1-6702-010		1	CONNECTOR, 10P		
J2018	WS3-5720-000		10	SOCKET CONTACT, 22-28AWG		
J2019	SYS			TO BUFFER PASS-C1		
J2019	VS1-6702-012		1	CONNECTOR, 12P		
J2019	WS3-5720-000		12	SOCKET CONTACT, 22-28AWG		
J2020	VS1-6982-002		1	CONNECTOR, 2P, MALE, W		
J2020	VS1-7110-002		1	CONNECTOR, 2P, FEMALE, W		
J2020	WS3-5592-000		2	SOCKET CONTACT, 16-18AWG		
J2020	WS3-5815-000		2	CONTACT, PIN, 20-22AWG		
J2021	SYS			TO CF-Y1/PD-Q1		
J2021	VS1-6225-006		1	CONNECTOR, 6P, FEMALE		
J2021	VS1-6225-008		1	CONNECTOR, 8P, FEMALE		
J2021	WS3-5817-000		4	CONTACT, SOCKET, 16-20AWG		
J2021	WS3-5818-000		1	CONNECTOR, 4P, FEMALE, GRY		
J2022	SYS			TO FINISHER-Q1/Q2		
J2022	VS1-5452-007		1	CONNECTOR, 7P, FEMALE		
J2022	VS1-5452-008		1	CONNECTOR, 8P, FEMALE		
J2022	WS3-5596-000		3	PIN CONTACT, 18-24AWG		
J2022	FH2-6480-000		1	CONNECTOR, FEMALE		
J2023	VS1-6302-004		1	CONNECTOR, 4P, MALE		
J2023	VS1-6702-004		1	CONNECTOR, 4P		
J2023	WS3-5569-000		4	PIN, CONTACT		

FIGURE & KEY NO.	PARTS NUMBER	RANK	Q'TY	DESCRIPTION	SERIAL NUMBER/REMARKS	SVC
J2023	WS3-5719-000		4	PIN CONTACT, 20-24AWG		
J2024	VS1-6982-002		1	CONNECTOR, 2P, MALE, W	220/240V ONLY	
J2024	VS1-7110-002		1	CONNECTOR, 2P, FEMALE, W		
J2024	WS3-5815-000		2	CONTACT, PIN, 20-22AWG	220/240V ONLY	
J2024	WS3-5858-000		2	CONTACT, SOCKET, 20-22AWG		
J2025	VS1-5452-007		2	CONNECTOR, 7P, FEMALE		
J2025	VS1-5820-007		1	CONNECTOR, SNAP TIGHT		
J2026	VS1-6313-009		2	CONNECTOR, 9P, FEMALE		
J2026	VS1-6314-009		2	CONNECTOR, 9P, FEMALE		
J2026	VS1-6319-018		1	CONNECTOR, SNAP TIGHT		
J2026	VT2-5161-018		2	HOLDER, CONNECTOR, 18P		
J2027	NPN			ITB DUCT FAN	FM3	
J2027	VS1-5057-003		1	CONNECTOR, SNAP TIGHT		
J2027	VS1-6321-003		1	CONNECTOR, 3P, FEMALE		
J2028	NPN			FRONT DOOR SENSOR	PS22	
J2028	VS1-6321-003		1	CONNECTOR, 3P, FEMALE		
J2029	NPN			PAPER FEEDER DOOR SENSOR	PS18	
J2029	VS1-6321-003		1	CONNECTOR, 3P, FEMALE		
J2030	VS1-5452-006		2	CONNECTOR, 6P, FEMALE		
J2030	VS1-5820-006		1	CONNECTOR, SNAP TIGHT		
J2031	NPN			WASTE TONER SENSOR	PS21	
J2031	VS1-6321-003		1	CONNECTOR, 3P, FEMALE		
J2032	NPN			WASTE TONER SENSOR	PS20	
J2032	VS1-6321-002		1	CONNECTOR, 2P, FEMALE		
J2033	VS1-5057-003		1	CONNECTOR, SNAP TIGHT		
J2033	VS1-6321-003		2	CONNECTOR, 3P, FEMALE		
J2034	NPN			ITB HOME POSITION SENSOR	PS19	
J2034	VS1-6321-003		1	CONNECTOR, 3P, FEMALE		
J2035	VS1-5057-004		1	CONNECTOR, SNAP TIGHT		
J2035	VS1-6321-004		2	CONNECTOR, 4P, FEMALE		
J2036	NPN			OHP SENSOR	PS26	
J2036	VS1-6321-003		1	CONNECTOR, 3P, FEMALE		

FIGURE & KEY NO.	PARTS NUMBER	R A N K	Q'TY	DESCRIPTION	SERIAL NUMBER/ REMARKS	S V C
J2037	NPN			PRE-REGISTRATION SENSOR	PS9	
J2037	VS1-6321-003		1	CONNECTOR, 3P, FEMALE		
J2038	VS1-5057-003		1	CONNECTOR, SNAP TIGHT		
J2038	VS1-6321-003		2	CONNECTOR, 3P, FEMALE		
J2039	NPN			REGISTRATION CLUTCH	CL2	
J2039	VS1-6314-003		1	CONNECTOR, 3P, MALE		
J2040	VS1-5057-002		1	CONNECTOR, SNAP TIGHT		
J2040	VS1-6321-002		2	CONNECTOR, 2P, FEMALE		
J2041	NPN			MANUAL FEED PICK-UP CLUTCH	CL1	
J2041	VS1-6314-003		1	CONNECTOR, 3P, MALE		
J2042	VS1-5057-002		1	CONNECTOR, SNAP TIGHT		
J2042	VS1-6321-002		2	CONNECTOR, 2P, FEMALE		
J2043	NPN			DUPLEXING FEEDER CLUTCH	CL6	
J2043	VS1-6314-003		1	CONNECTOR, 3P, MALE		
J2044	NPN			2ND TRANSFER DESORPTION CLUTCH	CL9	
J2044	VS1-5057-002		1	CONNECTOR, SNAP TIGHT		
J2044	VS1-6321-002		1	CONNECTOR, 2P, FEMALE		
J2045	VS1-6314-015		1	CONNECTOR, 15P, FEMALE		
J2045	VS1-6318-015		1	CONNECTOR, SNAP TIGHT		
J2045	VS1-6757-015		1	CONNECTOR, 15P, FEMALE		
J2045	WS3-5721-000		15	SOCKET CONTACT		
J2046	VS1-5057-003		1	CONNECTOR, SNAP TIGHT		
J2046	VS1-5824-003		1	CONNECTOR, 3P, FEMALE		
J2046	VS1-6321-003		1	CONNECTOR, 3P, FEMALE		
J2046	WS3-5358-000		3	SOCKET CONTACT, 22-26AWG		
J2047	NPN			MANUAL FEED PAPER SIZE SENSOR	SVR1	
J2047	VS1-6321-003		1	CONNECTOR, 3P, FEMALE		
J2048	VS1-5057-003		1	CONNECTOR, SNAP TIGHT		
J2048	VS1-5824-003		1	CONNECTOR, 3P, FEMALE		
J2048	VS1-6321-003		1	CONNECTOR, 3P, FEMALE		
J2048	WS3-5358-000		3	SOCKET CONTACT, 22-26AWG		
J2049	NPN			MANUAL FEED PAPER SENSOR	PS7	

FIGURE & KEY NO.	PARTS NUMBER	RANK	Q'TY	DESCRIPTION	SERIAL NUMBER/REMARKS	SVC
J2049	VS1-6321-003		1	CONNECTOR, 3P, FEMALE		
J2050	NPN			DUPLEXING FEEDER SENSOR	PS17	
J2050	VS1-5824-003		1	CONNECTOR, 3P, FEMALE		
J2050	WS3-5358-000		3	SOCKET CONTACT, 22-26AWG		
J2051	NPN			PAPER DELIVERY REAR FAN	FM1	
J2051	VS1-5057-003		1	CONNECTOR, SNAP TIGHT		
J2051	VS1-5824-003		1	CONNECTOR, 3P, FEMALE		
J2051	WS3-5358-000		3	SOCKET CONTACT, 22-26AWG		
J2052	NPN			PAPER DELIVERY FRONT FAN	FM2	
J2052	VS1-5057-003		1	CONNECTOR, SNAP TIGHT		
J2052	VS1-5824-003		1	CONNECTOR, 3P, FEMALE		
J2052	WS3-5358-000		3	SOCKET CONTACT, 22-26AWG		
J2053	NPN			DRUM MOTOR	M9	
J2053	VS1-7110-002		1	CONNECTOR, 2P, FEMALE, W		
J2053	WS3-5858-000		2	CONTACT, SOCKET, 20-22AWG		
J2054	NPN			DRUM MOTOR	M9	
J2054	VS1-6321-006		1	CONNECTOR, 6P, FEMALE		
J2055	NPN			MAIN MOTOR	M2	
J2055	VS1-7110-002		1	CONNECTOR, 2P, FEMALE, W		
J2055	WS3-5858-000		2	CONTACT, SOCKET, 20-22AWG		
J2056	NPN			MAIN MOTOR	M2	
J2056	VS1-6321-007		1	CONNECTOR, 7P, FEMALE		
J2057	NPN			ROTARY MOTOR	M8	
J2057	VS1-6702-006		1	CONNECTOR, 6P, W		
J2057	WS3-5719-000		6	PIN CONTACT, 20-24AWG		
J2058	NPN			ROTARY SENSOR	PS24	
J2058	VS1-6321-003		1	CONNECTOR, 3P, FEMALE		
J2059	NPN			ITB CLEANING DESORPTION CLUTCH	CL8	
J2059	VS1-5352-002		1	CONNECTOR, SNAP TIGHT		
J2059	VS1-6321-002		1	CONNECTOR, 2P, FEMALE		
J2060	VS1-5057-002		1	CONNECTOR, SNAP TIGHT		
J2060	VS1-6320-002		1	CONNECTOR, 2P, FEMALE		

FIGURE & KEY NO.	PARTS NUMBER	RANK	Q'TY	DESCRIPTION	SERIAL NUMBER/REMARKS	SVC
J2060	VS1-6321-002		1	CONNECTOR, 2P, FEMALE		
J2061	NPN			SLEEVE CLUTCH	CL3	
J2061	VS1-6314-003		1	CONNECTOR, 3P, MALE		
J2062	VS1-6321-002		3	CONNECTOR, 2P, FEMALE		
J2063	NPN			TONER SUPPLY CLUTCH	CL7	
J2063	VS1-6314-003		1	CONNECTOR, 3P, MALE		
J2064	VS1-6314-005		2	CONNECTOR, 5P, FEMALE		
J2064	VS1-6318-005		1	CONNECTOR, SNAP TIGHT		
J2066	NPN			POLYGON MOTOR	M1	
J2066	VS1-6314-005		1	CONNECTOR, 5P, FEMALE		
J2067	VS1-0842-003		2	CONNECTOR, 3P, FEMALE		
J2067	VS1-5057-003		1	CONNECTOR, SNAP TIGHT		
J2068	VS1-0842-003		2	CONNECTOR, 3P, FEMALE		
J2068	VS1-5057-003		1	CONNECTOR, SNAP TIGHT		
J2069	PCB			BEAM DETECTOR		
J2069	VS1-0842-003		1	CONNECTOR, 3P, FEMALE		
J2071	VS1-6314-010		2	CONNECTOR, 10P, FEMALE		
J2071	VS1-6318-010		1	CONNECTOR, SNAP TIGHT		
J2072	NPN			PAPER DELIVERY 1 MOTOR	M4	
J2072	VS1-6321-004		1	CONNECTOR, 4P, FEMALE		
J2073	NPN			PAPER DELIVERY SENSOR 1	PS14	
J2073	VS1-6321-003		1	CONNECTOR, 3P, FEMALE		
J2074	NPN			PAPER DELIVERY FULL SENSOR 1	PS15	
J2074	VS1-6321-003		1	CONNECTOR, 3P, FEMALE		
J2075	VS1-6314-007		2	CONNECTOR, 7P, FEMALE		
J2075	VS1-6318-007		1	CONNECTOR, SNAP TIGHT		
J2076	PCB			CASSETTE SIZE RELAY		
J2076	VS1-6314-007		1	CONNECTOR, 7P, FEMALE		
J2080	PCB			CASSETTE SIZE RELAY		
J2080	PCB			CASSETTE 1 SIZE SENSOR		
J2083	NPN			CASSETTE 1 PAPER PICK-UP MOTOR	M6	
J2083	VS1-6321-004		1	CONNECTOR, 4P, FEMALE		

FIGURE & KEY NO.	PARTS NUMBER	RANK	Q'TY	DESCRIPTION	SERIAL NUMBER/REMARKS	SVC
J2084	NPN			CASSETTE 2 PAPER PICK-UP MOTOR	M7	
J2084	VS1-6320-004		1	CONNECTOR, 4P, FEMALE		
J2085	VS1-6314-010		1	CONNECTOR, 10P, FEMALE		
J2085	VS1-6318-010		1	CONNECTOR, SNAP TIGHT		
J2085	VS1-6757-010		1	CONNECTOR, 10P, FEMALE		
J2085	WS3-5721-000		10	SOCKET CONTACT		
J2086	NPN			PATCH SENSOR	PS23	
J2086	VS1-6757-006		1	CONNECTOR, 6P, FEMALE		
J2086	WS3-5721-000		6	SOCKET CONTACT		
J2087	NPN			ENVIRONMENT SENSOR	HU1	
J2087	VS3-5094-004		1	CONNECTOR 4P		
J2087	WT1-5208-000		4	CONTACT, SOCKET		
J2093	NPN			PAPER PICK-UP DOOR SENSOR	PS12	
J2093	VS1-6321-003		1	CONNECTOR, 3P, FEMALE		
J2094	VS1-6314-014		2	CONNECTOR, 14P, MALE		
J2094	VS1-6318-014		1	CONNECTOR, SNAP TIGHT		
J2095	NPN			CASSETTE 1 PAPER SENSOR	PS1	
J2095	VS1-6321-003		1	CONNECTOR, 3P, FEMALE		
J2096	NPN			CST. 1 PAPER LEVEL A SENSOR	PS3	
J2096	VS1-6321-003		1	CONNECTOR, 3P, FEMALE		
J2097	NPN			CST. 1 PAPER LEVEL B SENSOR	PS4	
J2097	VS1-6321-003		1	CONNECTOR, 3P, FEMALE		
J2098	NPN			CASSETTE 1 RETRY SENSOR	PS10	
J2098	VS1-6321-003		1	CONNECTOR, 3P, FEMALE		
J2099	NPN			PICK-UP SOLENOID 1	SL1	
J2099	VS1-5057-002		1	CONNECTOR, SNAP TIGHT		
J2099	VS1-6321-002		1	CONNECTOR, 2P, FEMALE		
J2100	VS1-6313-014		1	CONNECTOR, 14P, FEMALE		
J2100	VS1-6314-014		1	CONNECTOR, 14P, MALE		
J2100	VS1-6318-014		1	CONNECTOR, SNAP TIGHT		
J2101	NPN			CASSETTE 2 PAPER SENSOR	PS2	
J2101	VS1-6321-003		1	CONNECTOR, 3P, FEMALE		

FIGURE & KEY NO.	PARTS NUMBER	RANK	Q'TY	DESCRIPTION	SERIAL NUMBER/REMARKS	SVC
J2102	NPN			CST. 2 PAPER LEVEL A SENSOR	PS5	
J2102	VS1-6321-003		1	CONNECTOR, 3P, FEMALE		
J2103	NPN			CST. 2 PAPER LEVEL B SENSOR	PS6	
J2103	VS1-6321-003		1	CONNECTOR, 3P, FEMALE		
J2104	NPN			CASSETTE 2 RETRY SENSOR	PS11	
J2104	VS1-6321-003		1	CONNECTOR, 3P, FEMALE		
J2105	NPN			PICK-UP SOLENOID 2	SL2	
J2105	VS1-5057-002		1	CONNECTOR, SNAP TIGHT		
J2105	VS1-6321-002		1	CONNECTOR, 2P, FEMALE		
J2106	VS1-5057-003		1	CONNECTOR, SNAP TIGHT		
J2106	VS1-6321-003		2	CONNECTOR, 3P, FEMALE		
J2110	PCB			COUNTER ROM		
J2110	VS1-6314-006		1	CONNECTOR, 6P, FEMALE		
J2111	SYS			TO NEW COIN ROBO		
J2111	SYS			TO CARD READER-C1		
J2111	VS1-5057-010		1	CONNECTOR, SNAP TIGHT		
J2111	VS1-6321-010		1	CONNECTOR, 10P, FEMALE		
J2112	PCB			CASSETTE SIZE RELAY		
J2112	PCB			CASSETTE 2 SIZE SENSOR		
J2113	SYS			TO KEY SWITCH UNIT-A1		
J2113	VS1-0842-002		1	CONNECTOR, 2P, FEMALE		
J2115	PCB			ECO-ID		
J2115	VS1-6314-009		1	CONNECTOR, 9P, FEMALE		
J2116	VS1-6313-018		2	CONNECTOR, 18P, FEMALE		
J2116	VS1-6314-018		2	CONNECTOR, 18P, MALE		
J2116	VS1-6319-036		1	CONNECTOR, SNAP TIGHT		
J2116	VT2-5161-036		2	HOLDER, CONNECTOR, 36P		
J2117	VS1-6313-018		1	CONNECTOR, 18P, FEMALE		
J2117	VS1-6314-018		1	CONNECTOR, 18P, MALE		
J2117	VT2-5161-036		1	HOLDER, CONNECTOR, 36P		
J2118	VS1-5057-003		1	CONNECTOR, SNAP TIGHT		
J2118	VS1-6321-003		2	CONNECTOR, 3P, FEMALE		

FIGURE & KEY NO.	PARTS NUMBER	RANK	Q'TY	DESCRIPTION	SERIAL NUMBER/REMARKS	SVC
J2119	VS1-6313-020		2	CONNECTOR, 20P, FEMALE	C3100F,C3100I ONLY	
J2119	VS1-6314-020		2	CONNECTOR, 20P, FEMALE	C3100F,C3100I ONLY	
J2119	VS1-6319-040		1	CONNECTOR, SNAP TIGHT	C3100F,C3100I ONLY	
J2119	VT2-5161-040		2	HOLDER, CONNECTOR, 40P	C3100F,C3100I ONLY	
J2120	VS1-6314-002		2	CONNECTOR, 2P, FEMALE	C3100F,C3100I ONLY	
J2120	VS1-6318-002		1	CONNECTOR, SNAP TIGHT	C3100F,C3100I ONLY	
J2121	SYS			TO CC4		
J2121	NPN			HARD DISK DRIVE 1		
J2121	FH2-7018-000		1	FLAT CABLE, HDD, 1		
J2121	VS1-0279-004		1	CONNECTOR, 4P, FEMALE		
J2121	VS1-0280-004		1	CONNECTOR, 4P, FEMALE		
J2121	WS3-5016-000		4	PIN CONTACT, 30-26AWG		
J2122	NPN			HARD DISK DRIVE 1		
J2122	X62-5133-000		4	SOCKET, MATE-N-LOCK		
J2122	X65-5854-000		1	CONNECTOR, 4P, FEMALE		
J2123	VS1-5057-008		1	CONNECTOR, SNAP TIGHT		
J2123	VS1-6321-008		2	CONNECTOR, 8P, FEMALE		
J2125	SYS			TO ASSIST		
J2125	VS1-6321-008		1	CONNECTOR, 8P, FEMALE		
J2126	VS3-0143-002		1	CONNECTOR, 2P, FEMALE	C3100F,C3100I ONLY	
J2126	WS3-1105-000		2	SOCKET CONTACT	C3100F,C3100I ONLY	
J2127	NPN			SPEAKER	C3100F,C3100I ONLY	
J2127	VS1-5057-002		1	CONNECTOR, SNAP TIGHT	C3100F,C3100I ONLY	
J2127	VS1-5824-002		1	CONNECTOR, 2P, FEMALE	C3100F,C3100I ONLY	
J2127	WS3-5358-000		2	SOCKET CONTACT, 22-26AWG	C3100F,C3100I ONLY	
J2128	NPN			TONER COLLECTION FAN	FM5	
J2128	VS1-5057-003		1	CONNECTOR, SNAP TIGHT		
J2128	VS1-6321-003		1	CONNECTOR, 3P, FEMALE		
J2129	VS1-6314-008		2	CONNECTOR, 8P, FEMALE		
J2129	VS1-6318-008		1	CONNECTOR, SNAP TIGHT		
J2130	VS1-5057-006		1	CONNECTOR, SNAP TIGHT		
J2130	VS1-6321-006		2	CONNECTOR, 6P, FEMALE		

FIGURE & KEY NO.	PARTS NUMBER	RANK	Q'TY	DESCRIPTION	SERIAL NUMBER/REMARKS	SVC
J2131	NPN			ATR SHUTTER SOLENOID	SL3	
J2131	VS1-5057-002		1	CONNECTOR, SNAP TIGHT		
J2131	VS1-6321-002		1	CONNECTOR, 2P, FEMALE		
J2132	NPN			ATR SENSOR	PS27	
J2132	VS1-6321-006		1	CONNECTOR, 6P, FEMALE		
J2133	NPN			FIXING MOTOR	M11	
J2133	VS1-7110-002		1	CONNECTOR, 2P, FEMALE, W		
J2133	WS3-5858-000		2	CONTACT, SOCKET, 20-22AWG		
J2134	NPN			FIXING MOTOR	M11	
J2134	VS1-6321-006		1	CONNECTOR, 6P, FEMALE		
J2137	VS1-6321-002		1	CONNECTOR, 2P, FEMALE		
J2138	VS1-6321-003		1	CONNECTOR, 3P, FEMALE		
J2139	VS1-6314-011		1	CONNECTOR, 11P, FEMALE		
J2140	VS1-6314-013		1	CONNECTOR, 13P, FEMALE		
J2150	NPN			PHOTO-INTERRUPTER	PS27	
J2150	VS1-6321-003		1	CONNECTOR, 3P, FEMALE		
J5001	FH2-5821-000		1	CONNECTOR, 12P, MALE		
J5001	WS3-5263-000		2	SOCKET CONTACT		
J5001	WS3-5264-000		4	SOCKET CONTACT		
J5002	NPN			PLATE HEATER	H6	
J5002	VS4-0002-002		1	CONNECTOR, 2P, FEMALE		
J5002	WS4-0218-000		2	SOCKET CONTACT, 22-26AWG		
J5003	VS4-0001-002		1	CONNECTOR, 2P, MALE		
J5003	WS4-0220-000		2	PIN CONTACT, 22-26AWG		
J5004	VS3-0053-002		1	CONNECTOR, 2P, FEMALE		
J5004	WS4-0218-000		2	SOCKET CONTACT, 22-26AWG		
J5005	NPN			PLATE HEATER	H5	
J5005	VS4-0002-002		1	CONNECTOR, 2P, FEMALE		
J5005	WS4-0218-000		2	SOCKET CONTACT, 22-26AWG		
J5006	SYS			TO DADF-L1		
J5006	WS3-5596-000		3	PIN CONTACT, 18-24AWG		
J5006	FH2-6480-000		1	CONNECTOR, FEMALE		

FIGURE & KEY NO.	PARTS NUMBER	RANK	Q'TY	DESCRIPTION	SERIAL NUMBER/REMARKS	SVC
J5007	NPN			READER MOTOR	M501	
J5007	VS1-5057-004		1	CONNECTOR, SNAP TIGHT		
J5007	VS1-5824-004		1	CONNECTOR, 4P, FEMALE		
J5007	WS3-5358-000		4	SOCKET CONTACT, 22-26AWG		
J5008	VS1-6321-006		1	CONNECTOR, 6P, FEMALE		
J5009	VS1-5057-006		1	CONNECTOR, SNAP TIGHT		
J5009	VS1-6321-006		1	CONNECTOR, 6P, FEMALE		
J5010	NPN			PLATE OPEN/CLOSE SENSOR 1	PS503	
J5010	VS1-6321-003		1	CONNECTOR, 3P, FEMALE		
J5011	NPN			PLATE OPEN/CLOSE SENSOR 0	PS502	
J5011	VS1-6321-003		1	CONNECTOR, 3P, FEMALE		
J5012	NPN			READER HOME POSITION SENSOR	PS501	
J5012	VS1-6321-003		1	CONNECTOR, 3P, FEMALE		
J5013	NPN			DOCUMENT SIZE SENSOR	SIZE1	
J5013	VS1-6321-003		1	CONNECTOR, 3P, FEMALE		
J5015	PCB			LAMP REGULATOR		
J5015	VS1-6314-003		1	CONNECTOR, 3P, MALE		
J5016	SYS			TO DADF-L1		
J5016	VS1-5452-007		1	CONNECTOR, 7P, FEMALE		
J5017	SYS			TO DADF-L1		
J5017	VS1-5452-008		1	CONNECTOR, 8P, FEMALE		
J5018	PCB			LAMP REGULATOR		
J5018	VS3-5002-004		1	CONNECTOR, 4P, FEMALE		
J5018	WS3-1226-000		2	CONTACT, SOCKET		
J5019	NPN			CONTACT IMAGE SENSOR	IS1	
J5019	VS4-0002-003		1	CONNECTOR, 3P, FEMALE		
J5019	WS4-0217-000		2	SOCKET CONTACT, 22-18AWG		
J6801	PCB			PANEL SWITCH		
J6801	VS1-6314-014		1	CONNECTOR, 14P, MALE		
J6802	PCB			PANEL SWITCH		
J6802	VS1-6314-016		1	CONNECTOR, 16P, FEMALE		

Prepared by
OFFICE IMAGING PRODUCTS QUALITY ASSURANCE CENTER
CANON INC.

Canon